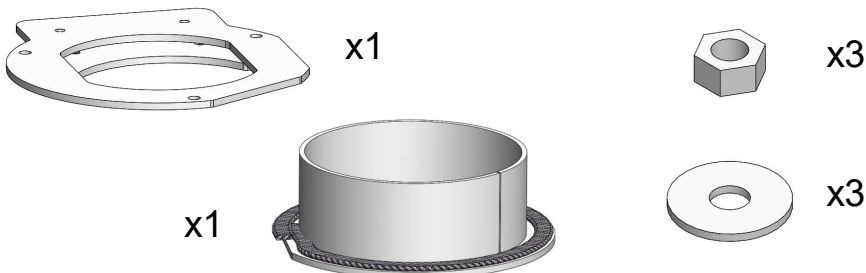


ADJUSTABLE INTERNAL DAMPER FITTING GUIDE

(I400-G2 / I500-G2 / I600-G2 / I750-G2)

The adjustable internal damper allows you to restrict the draw in an over drawing flue. It is installed below the spigot. Do not install into a stove whilst it is hot or in use. Observe safe working practices whilst installing or adjusting. Please consult the stove original Installation Guide for further information.

Parts Included

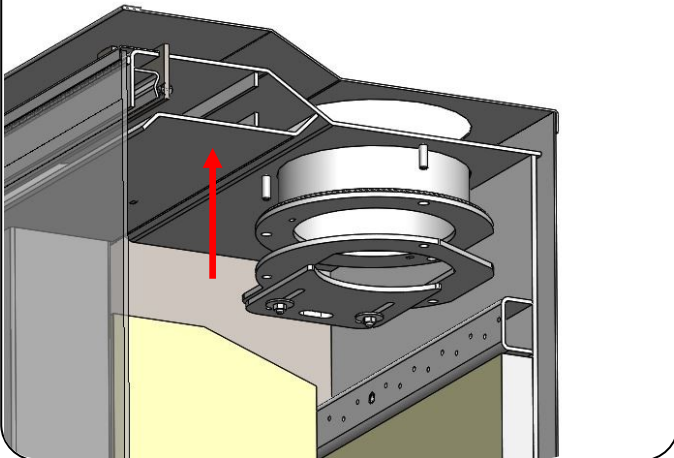


Tools Needed



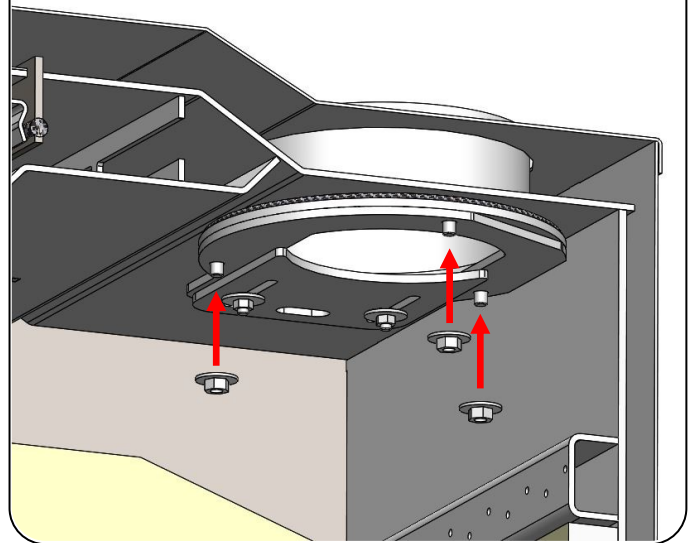
Step 1

Remove the throat plate. Place the flue spigot and damper on the studs that are permanently fixed to the underside of the canopy, ensuring that the flat edge of the spigot and damper align with each other and against the back of the stove as shown.



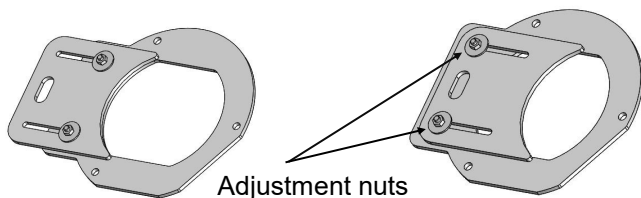
Step 2

Fasten with washers and nuts in the order illustrated below.



Step 3

You can adjust the damper by loosening the two adjustment nuts, sliding the plate as required and then tightening.

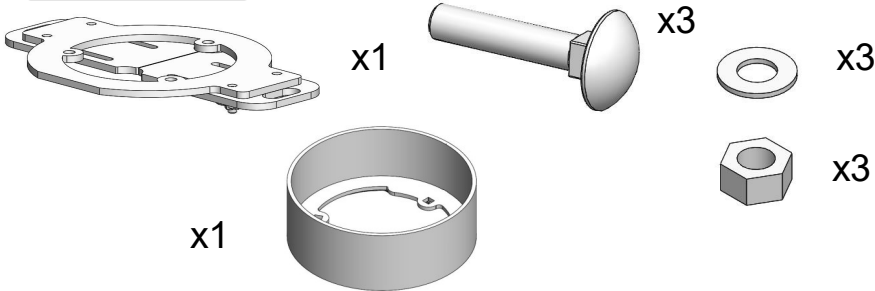


ADJUSTABLE INTERNAL DAMPER FITTING GUIDE

(I600-SLF-L-G2 / I600-SLF-M-G2)

The adjustable internal damper allows you to restrict the draw in an over drawing flue. It is installed below the spigot. Do not install into a stove whilst it is hot or in use. Observe safe working practices whilst installing or adjusting. Please consult the stove original Installation Guide for further information.

Parts Included

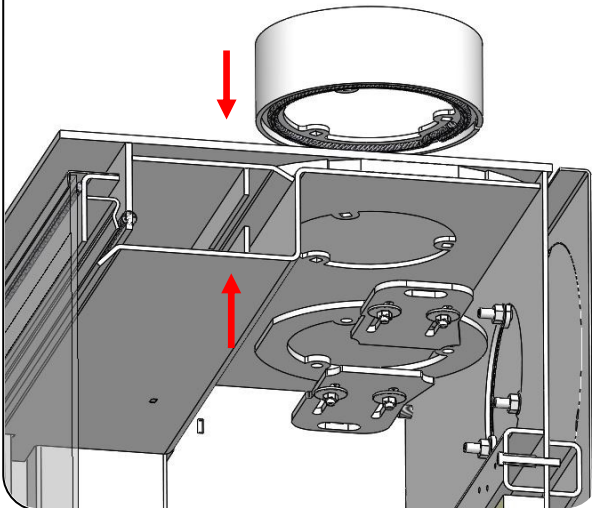


Tools Needed



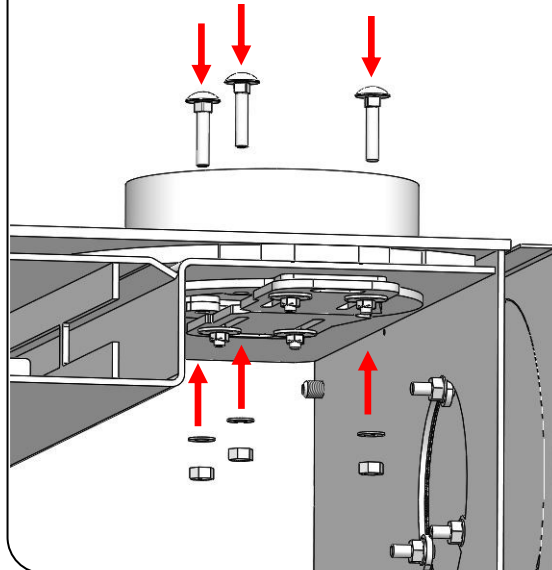
Step 1

Remove the throat plate. Place the flue spigot and damper as shown, ensuring that the flat edge of the damper is facing the front of the stove.



Step 2

Holding the damper in position, insert the coach bolts, and fasten with washers and nuts in the order illustrated below.



Step 3

You can adjust the damper by loosening the four adjustment nuts, sliding the plates as required and then tightening.

