



**IMPORTANT NOTICE :**

*APPLICABLE TO ALL MODELS OF I SERIES GENERATION 2 STOVES.*

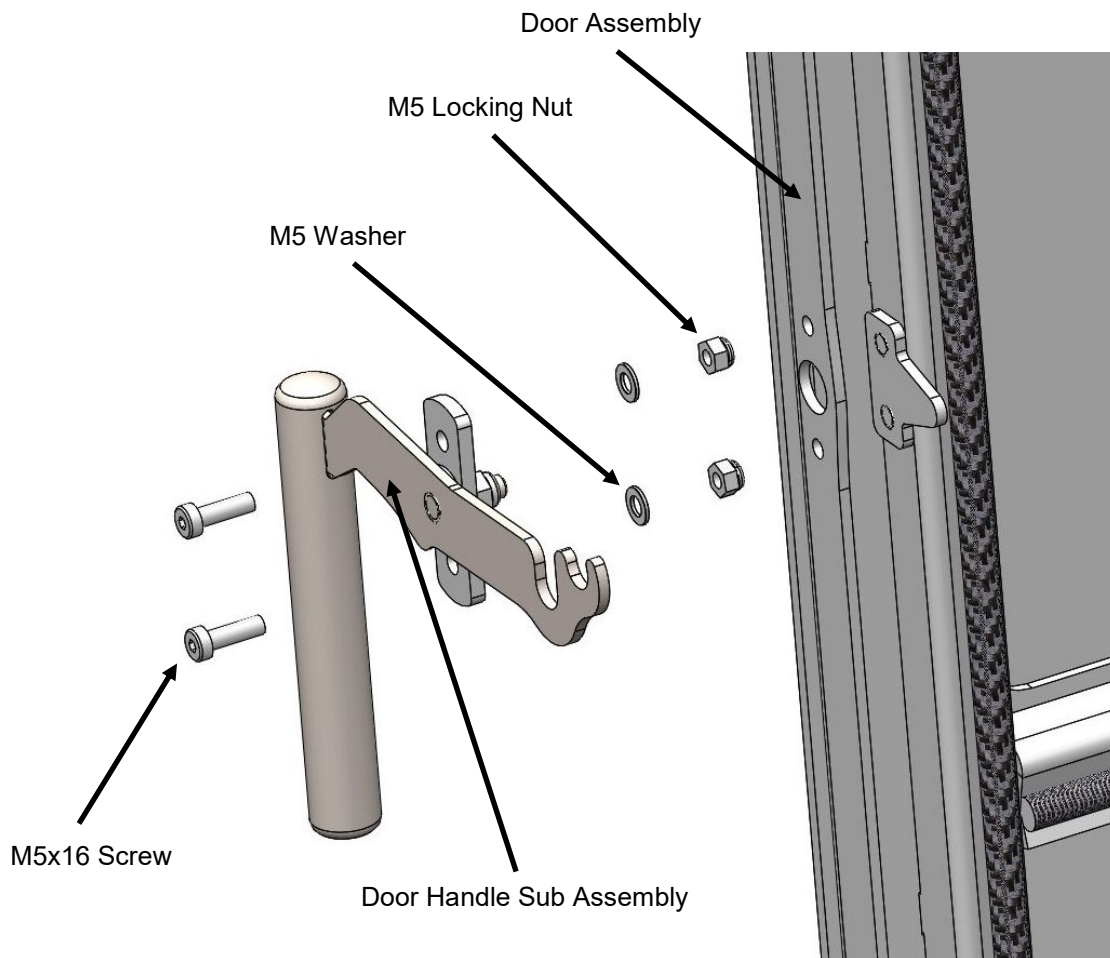
Please note, the replacement I Series Cassette (Generation 2) door will need to have the door handle sub-assembly fitted, before this can be assembled onto the stove.

Package Contents :

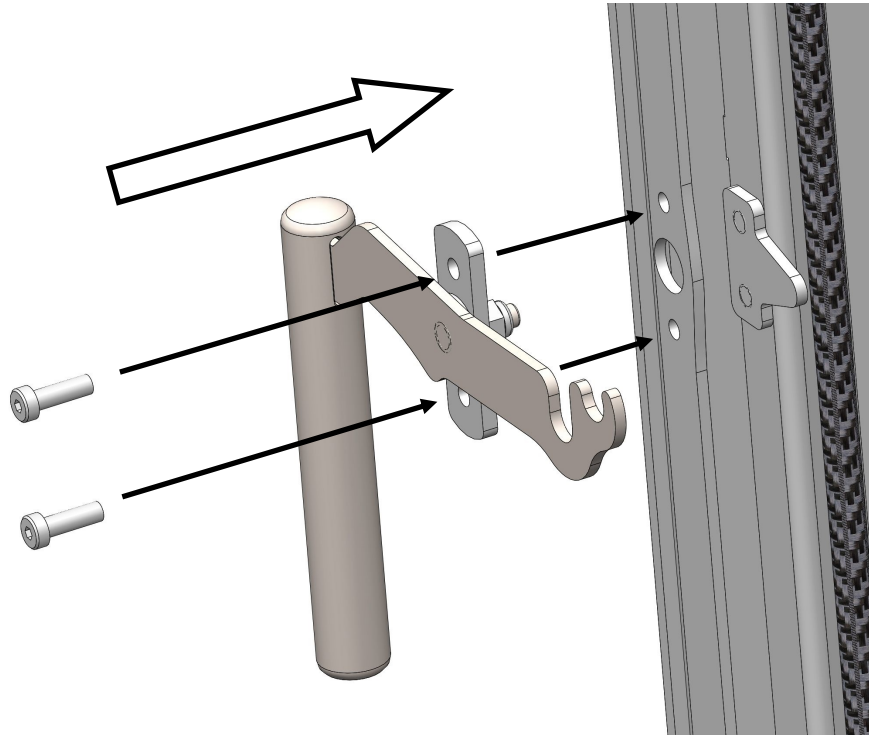
- 1x Glass Door Assembly (Model Size Dependent)
- 1x Door Handle Sub-assembly
- 2x M5x16 Screw (Hex Head)
- 2x M5 Locking Nut
- 2x M5 Washer

Tools Required :

- 8mm Spanner
- 3mm Hex Key



**FIG 1: Contents Of Kit**



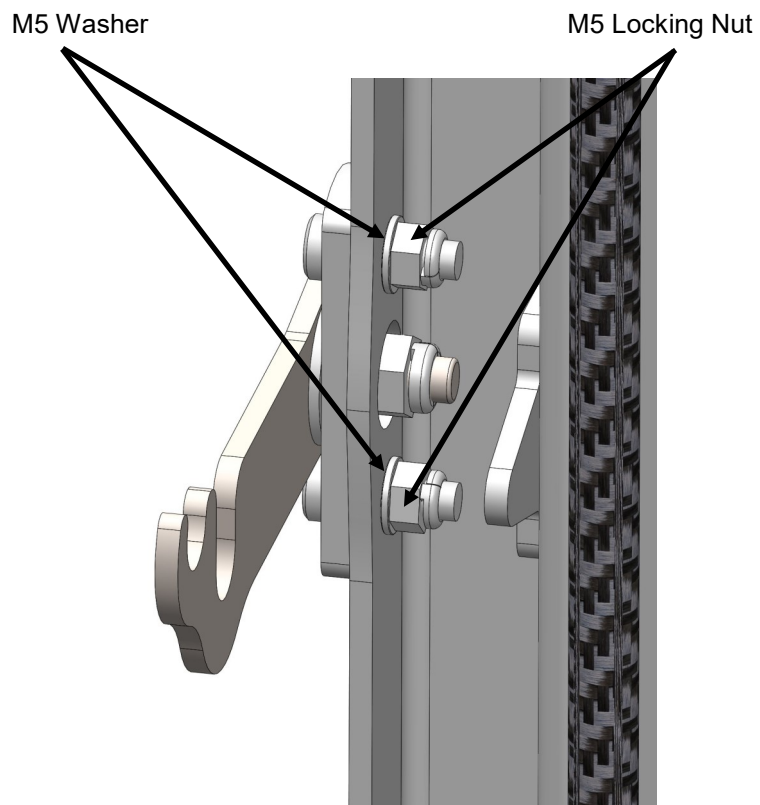
**FIG 2: Door Handle Sub Assembly**

Offer the door handle sub assembly, up to the door assembly (shown in FIG. 2, above).

Place the 2 no. M5x16 screws, through the holes in the handle sub assembly and through into the side of the door assembly.

Next, place the washers and locking nuts onto both screws, (shown in FIG. 3, right), fully tighten these by using the 3mm Hex key and 8mm spanner.

The door assembly is now complete, ready to be fitted to your stove.



**FIG 3: Final Assembly**