



## Product Fiche

<b>Supplier name</b>	Arada
<b>Product Code</b>	EBW12-G2
<b>Energy Efficiency Class</b>	A
<b>Direct Heat Output</b>	8.0 kW
<b>Indirect Heat Output</b>	11.8 kW
<b>Energy Efficiency Index</b>	97.4
<b>The useful energy efficiency at nominal heat output and at minimum load</b>	73.4 %

### Specific precautions that shall be taken when the local space heater is assembled, installed or maintained:

Product should be installed in accordance with local building regulations. Appliance will become very hot during use.

## Features

<b>Flexifuel</b>	No
<b>Stove body type</b>	Freestanding
<b>Ecodesign Ready</b>	No
<b>Suitable for smoke control areas</b>	No
<b>Suitable for direct air connection</b>	Yes
<b>Suitable for non-combustible 12mm hearth</b>	No
<b>Max hearth temperature</b>	75 °C
<b>Max Operating Pressure</b>	3 bar
<b>Weight gross (packed weight)</b>	157 Kg

## Performance—Wood Fuel

<b>Energy Efficiency Class</b>	A
<b>Nett Efficiency</b>	73.4 %
<b>Nominal Output (to room)</b>	8.0 kW
<b>Nominal Output (to water)</b>	11.8 kW
<b>Mean Co Emission (@13% O2)</b>	0.30 %
<b>Mean Co2 Emission (@13% O2)</b>	-
<b>DIN+ particulate</b>	-
<b>Mean NOx Emission (@13% O2)</b>	-
<b>Mean OGC Emission (@13% O2)</b>	-
<b>Flue Gas Mass Flow</b>	15.2 g/s
<b>Flue Gas Temperature</b>	372 °C

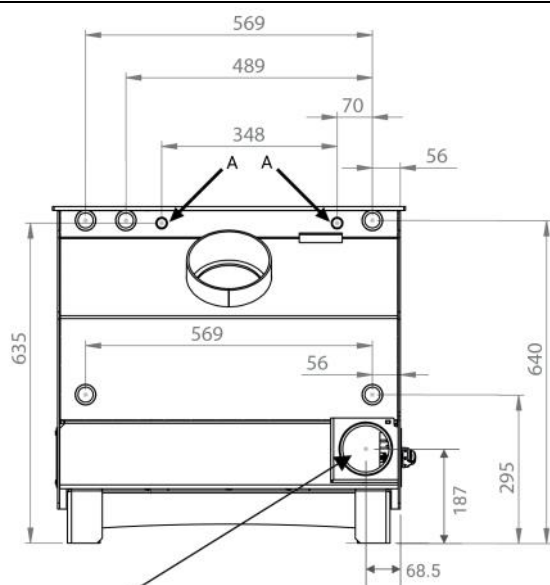
## Dimensions

<b>Width</b>	700 mm
<b>Height</b>	668 mm
<b>Depth</b>	605 mm
<b>Flue Diameter</b>	152 mm
<b>Depth from back to centre of top flue</b>	90 mm
<b>Ideal log length</b>	500 mm

## Minimum distance to combustibles

To Rear	To Side	Above
150 mm	100 mm	456 mm

## Boiler Tapping Measurements



Direct air inlet - 102mm diameter  
 Outlets (A) - 22mm external diameter  
 Other connections - 1inch BSP internal diameter

Connection point measurements shown in millimetres unless specified.  
 Note: 1 inch BSP internal thread to connectors.