



Product Fiche

Supplier name	Arada
Product Code	EB16HE-INSET-G5
Energy Efficiency Class (solid)	A
Direct Heat Output (solid)	5.3 kW
Indirect Heat Output (solid)	16.1 kW
Energy Efficiency Index (solid)	88.0
The useful energy efficiency at nominal heat output and at minimum load (solid)	71.5 %

Specific precautions that shall be taken when the local space heater is assembled, installed or maintained:

Product should be installed in accordance with local building regulations. Appliance will become very hot during use.

Features

Flexifuel	No
Stove body type	Inset
Ecodesign Ready	No
Suitable for smoke control areas	No
Suitable for direct air connection	No
Suitable for non-combustible 12mm hearth	No
Max hearth temperature	284.3 °C
Max Operating Pressure	3 bar
Weight gross (packed weight)	140 Kg

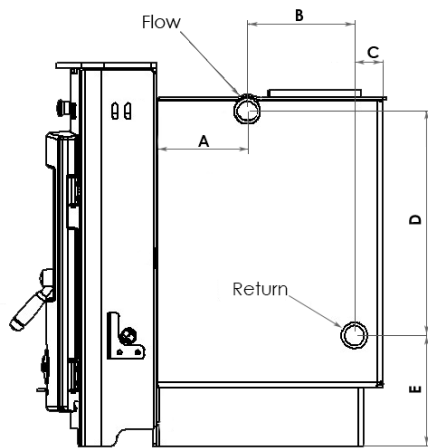
Dimensions

Width	626 mm
Height	636 mm
Depth	544 mm
Flue Diameter	127 mm
Depth into fireplace	357 mm
Width into fireplace	528 mm
Height into fireplace	543 mm
Depth from back to centre of top flue	122 mm
Depth of front fascia	177 mm
Ideal log length	405 mm

Minimum distance to combustibles

To Rear	To Side	Above
N/A	75 mm	100 mm

Boiler Tapping Measurements



Inset boiler tapping measurements. Side View example shown. Not to scale.

A	B	C	D	E
120 mm	177 mm	59 mm	355 mm	168 mm

Performance – Wood & Solid Fuel

	Wood Fuel	Solid Fuel
Energy Efficiency Class	A	A
Nett Efficiency	70.7 %	71.5 %
Nominal Output (to room)	6.7 kW	5.3 kW
Nominal Output (to water)	8.8 kW	16.1 kW
Mean Co Emission (@13% O2)	0.34 %	0.92 %
Mean Co2 Emission (@13% O2)	12.03 %	-
DIN+ particulate	-	-
Mean NOx Emission (@13% O2)	96 Nmg/m ³	-
Mean OGC Emission (@13% O2)	-	-
Flue Gas Mass Flow	12.1 g/s	10.7 g/s
Flue Gas Temperature	423 °C	500 °C