



Product Fiche

Supplier name	Arada
Product Code	EB12HE-INSET-G5
Energy Efficiency Class (solid)	A
Direct Heat Output (solid)	7.1 kW
Indirect Heat Output (solid)	11.6 kW
Energy Efficiency Index (solid)	90.2
The useful energy efficiency at nominal heat output and at minimum load (solid)	73.4 %

Specific precautions that shall be taken when the local space heater is assembled, installed or maintained:

Product should be installed in accordance with local building regulations. Appliance will become very hot during use.

Features

Flexifuel	No
Stove body type	Inset
Ecodesign Ready	No
Suitable for smoke control areas	No
Suitable for direct air connection	No
Suitable for non-combustible 12mm hearth	No
Max hearth temperature	189 °C
Max Operating Pressure	3 bar
Weight gross (packed weight)	114 Kg

Performance – Solid Fuel

Energy Efficiency Class	A
Nett Efficiency	73.4 %
Nominal Output (to room)	8.0 kW
Nominal Output (to water)	11.8 kW
Mean Co Emission (@13% O2)	0.30 %
Mean Co2 Emission (@13% O2)	-
DIN+ particulate	-
Mean NOx Emission (@13% O2)	-
Mean OGC Emission (@13% O2)	-
Flue Gas Mass Flow	15.2 g/s
Flue Gas Temperature	372 °C

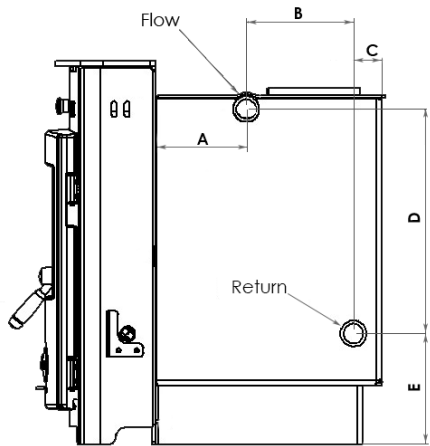
Dimensions

Width	548 mm
Height	590 mm
Depth	578 mm
Flue Diameter	127 mm
Depth into fireplace	353 mm
Width into fireplace	412 mm
Height into fireplace	532 mm
Depth from back to centre of top flue	110 mm
Depth of front fascia	179 mm
Ideal log length	305 mm

Minimum distance to combustibles

To Rear	To Side	Above
N/A	100 mm	456 mm

Boiler Tapping Measurements



Inset boiler tapping measurements. Side View example shown. Not to scale.

A	B	C	D	E
139 mm	165 mm	49 mm	345 mm	172 mm