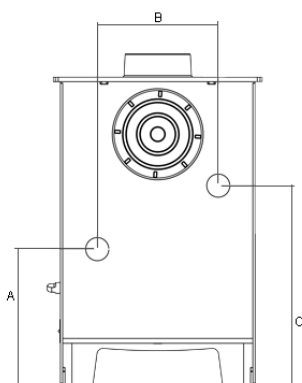




## Dimensions

Width	355 mm
Height	535 mm
Depth	365 mm
Flue Diameter	102 mm
Height of stand	136 mm
Height of pedestal	N/A
Height of log store	336 mm
Total height on stand	671 mm
Total height on pedestal	N/A
Total height on log store	871 mm
Height to centre of rear flue	436 mm
Depth from back to centre of top flue	94 mm
Ideal log length	240 mm

## Boiler Tapping Measurements



Add in boiler tapping measurements. Rear View example shown. Not to scale.

A	B	C
237 mm	210 mm	347 mm

## Product Fiche

Supplier name	Arada
Product Code	ECB4FPLUSsn
Energy Efficiency Class (wood)	A+
Direct Heat Output (wood)	4.5 kW
Indirect Heat Output (wood)	N/A
Energy Efficiency Index (wood)	116.1
The useful energy efficiency at nominal heat output and at minimum load (wood)	86.3 %

### Specific precautions that shall be taken when the local space heater is assembled, installed or maintained:

Product should be installed in accordance with local building regulations.  
Appliance will become very hot during use.

## Features

Flexifuel	Yes
Stove body type	Freestanding
Ecodesign Ready	No
Suitable for smoke control areas	No
Suitable for direct air connection	No
Suitable for non-combustible 12mm hearth	Yes
Max hearth temperature	83.5 °C
Weight gross (packed weight)	47 Kg

## Performance – Wood Fuel

	Wood Fuel
Energy Efficiency Class	A+
Nett Efficiency	86.3 %
Nominal Output	4.5 kW
Mean Co Emission (@13% O2)	0.39 %
Mean Co2 Emission(@13% O2)	-
DIN+ particulate	-
Mean NOx Emission (@13% O2)	-
Mean OGC Emission(@13% O2)	-
Flue Gas Mass Flow	2.9 g/s
Flue Gas Temperature	187 °C

## Minimum distance to combustibles

To Rear	To Side	Above
700 mm	500 mm	306 mm