

Stand & Log Store Fitting Guide

Optional Accessory Instructions



PLEASE RETAIN THIS GUIDE FOR FUTURE REFERENCE

EN13240:2011 +A2:2004

BK 748 Rev 02

ISSUE DATE : 16/01/2023



STAND & LOG STORE FITTING GUIDE



PLEASE NOTE : Image shows Ecoburn S3, however procedure is the same regardless of appliance model.

Applicable Part Numbers — LOG-xxx
STAND-xxx
FEET-xxx (NOTE: xxx-Model insignia)

Applicable for the following appliances : **Holborn, Ecoburn S3 & M-Series**



WARNING : HEALTH & SAFETY

Please ensure the appliance is cold and unlit before commencing fitting this accessory kit. Please refer to the main instruction booklet, relevant to your stove, for guidance on the installation and operation of the appliance.

Arada Ltd will not be responsible for any consequential or incidental loss or injury however caused. Please note, this accessory kit can only be fitted **prior** to the appliance (stove) being installed and connected to the flue system, within the property.

Please consult Health & Safety guidelines for advice on handling heavy and / or large items. When lifting, we recommend you always obtain assistance

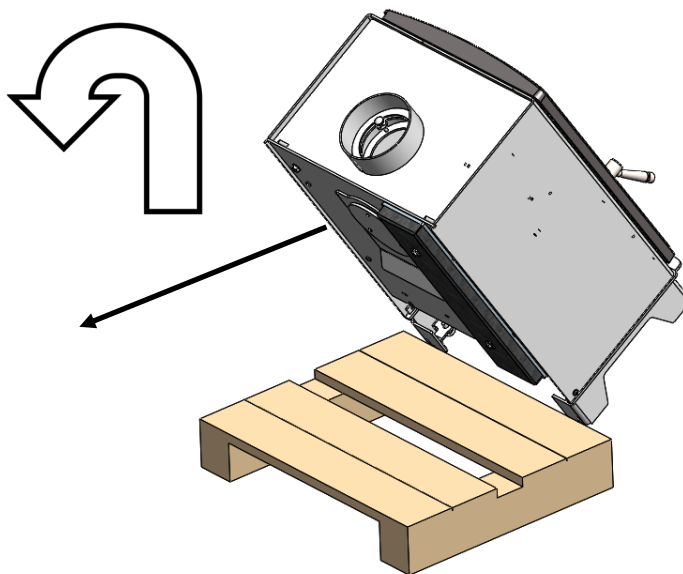
When handling the components of the kit, it is recommended to wear suitable gloves to prevent hand injuries.

1. Fitting Instructions :

Depending upon your appliance model, your stove may have been factory fitted with the standard foot assembly, however if so desired, this can be removed and an optional stand or log store can be fitted, so that the appliance height can be raised.

STEP 1: (NOT Applicable To M-Series)

To remove the factory fitted feet assembly, it is suggested that the canopy assembly be removed to avoid damage. Carefully lower the stove onto its rear, taking care not to damage the rear air box and tertiary air inlet cover. We recommend lowering the stove onto the packing pallet that it was delivered on, as shown below.



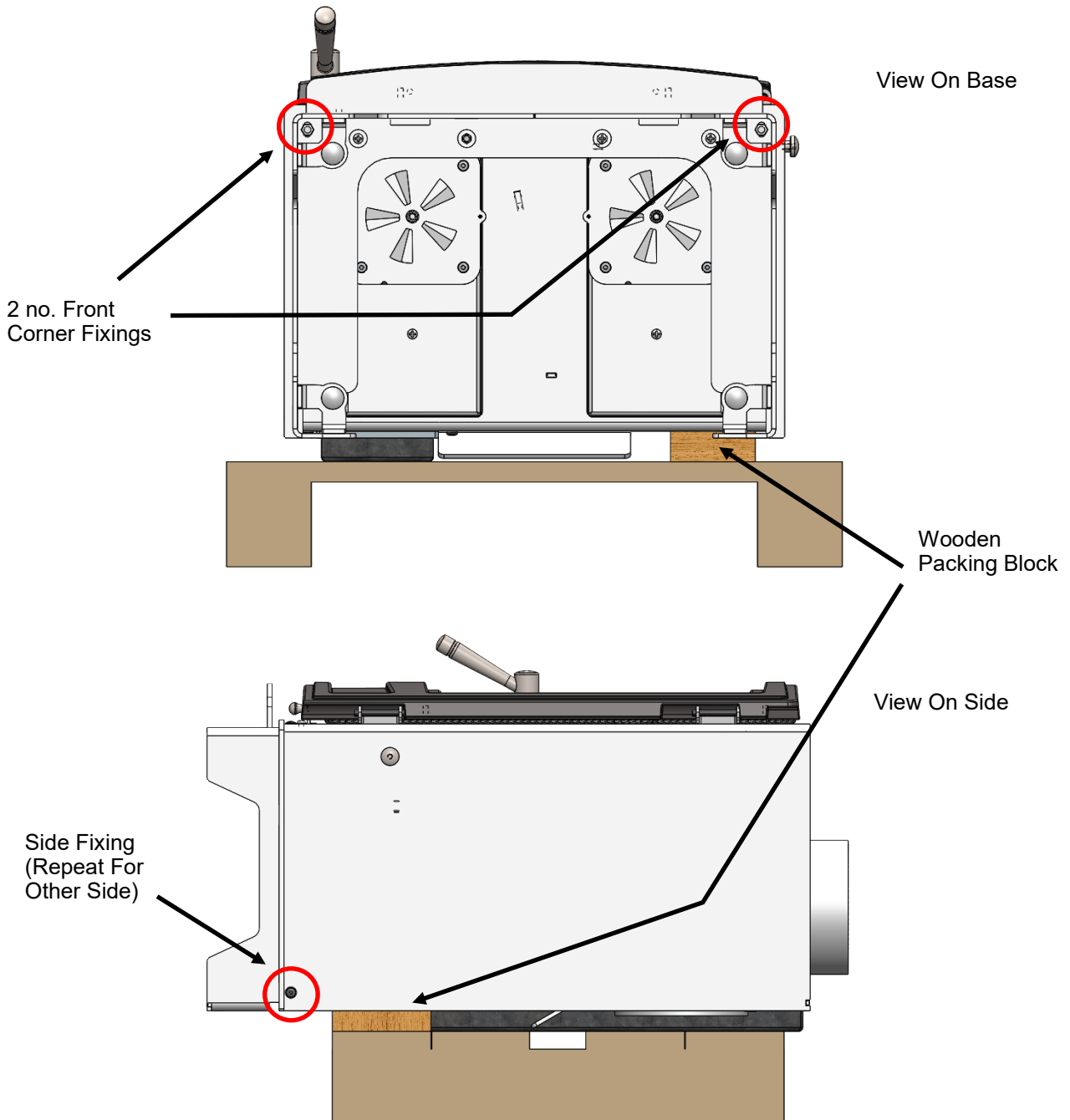
STAND & LOG STORE FITTING GUIDE

STEP 2:

With the stove safely resting on its back, place a wooden block or similar suitable packing object to prevent the appliance from rocking or moving, this can be seen in the image below. Ensure the appliance is secure before progressing onto step 3.

STEP 3:

Proceed to remove the 4 off fixings; 2 no. are located in either front corners and the remaining screws are located either side, at the rear of the stove. Remove the factory fitted feet assembly. Keep this item safe, for future use.

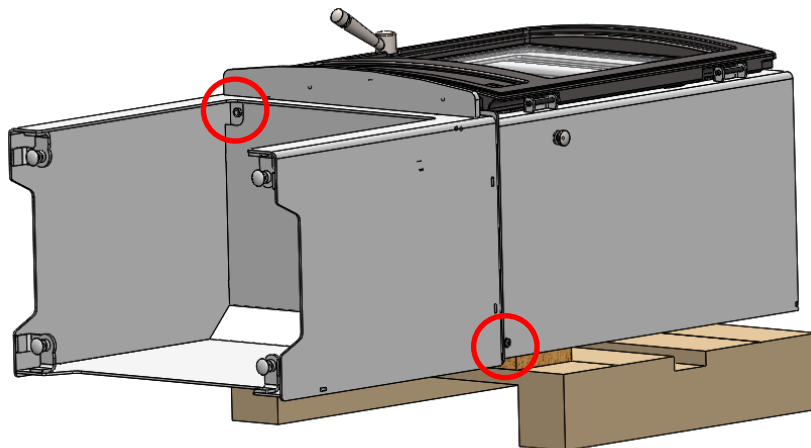


STAND & LOG STORE FITTING GUIDE

STEP 4:

Position either the log store or stand assembly, against the appliance base. Affix the 4 off fixing screws, that were removed in step 3.

Only hand tighten these fixings, otherwise damage to the threads may occur.

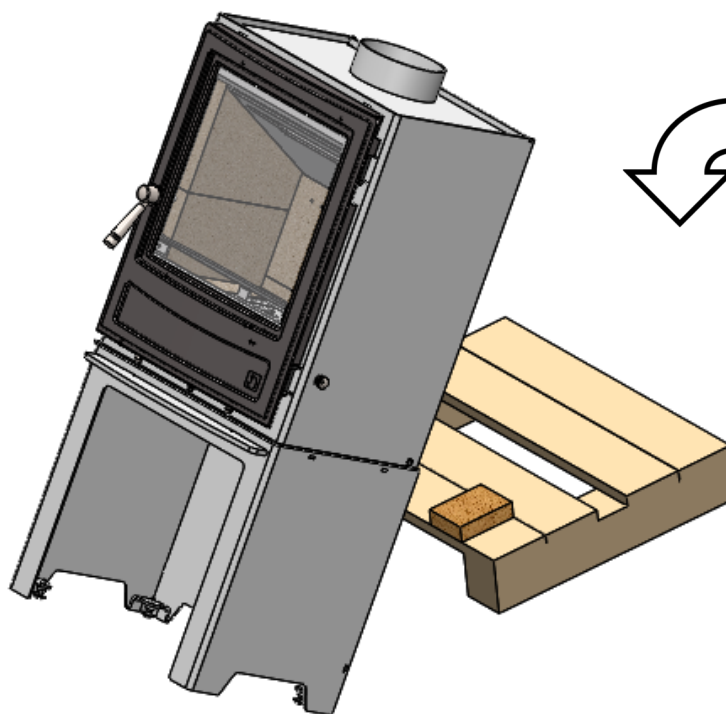


CAUTION:
Only tighten
fixings by
hand

STEP 5:

Taking care, return the appliance and accessory to the upright position.

Extra caution will be needed as the centre of gravity will have moved by fitting this new accessory.



CAUTION :
TAKE CARE
WHEN
LIFTING
UPRIGHT

Arada Ltd, The Fireworks, Weycroft Avenue, Axminster, Devon, United Kingdom, EX13 5HU
Technical Help : +44 (0)1297 632052, www.aradastoves.com
