

Technical Guide

Glass Replacement : Hoxton



TECHNICAL GUIDE—Replacement Glass Hoxton

PLEASE NOTE : This technical guide is applicable for the following appliances :

Hoxton 7 (All Models) .



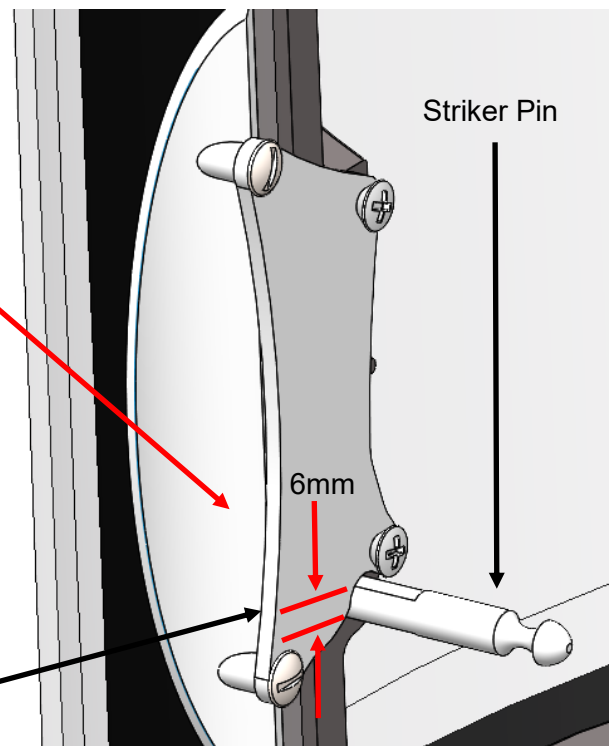
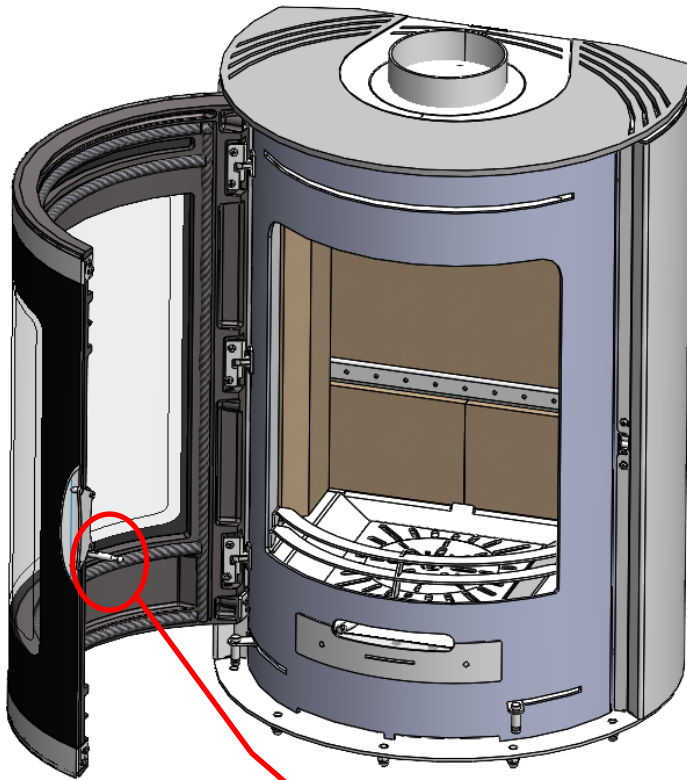
WARNING : HEALTH & SAFETY

- Please ensure the appliance is cold and unlit before commencing fitting the replacement glass.
- Competent persons should only undertake the work detailed in these instructions.
- Please refer to the main instruction booklet, relevant to your stove, for guidance on the installation and operation of the appliance.
- Arada Ltd will not be responsible for any consequential or incidental loss or injury however caused.
- Please consult Health & Safety guidelines for advice on handling heavy and / or large items.
- When lifting, we recommend you always obtain assistance.
- If when manual handling, keep the heaviest load close to the body for as long as possible, good posture is important, face the load to be lifted, bend your knees, ensuring your back is kept straight, ensure a firm grip. Do not twist when you lift.
- When handling glass components, it is recommended to wear suitable gloves and eye protection to prevent hand and eye injuries.

Instructions :

STAGE 1:

Fully open the fire door. Then using a 6mm spanner, unscrew the catch striker pin shown below.

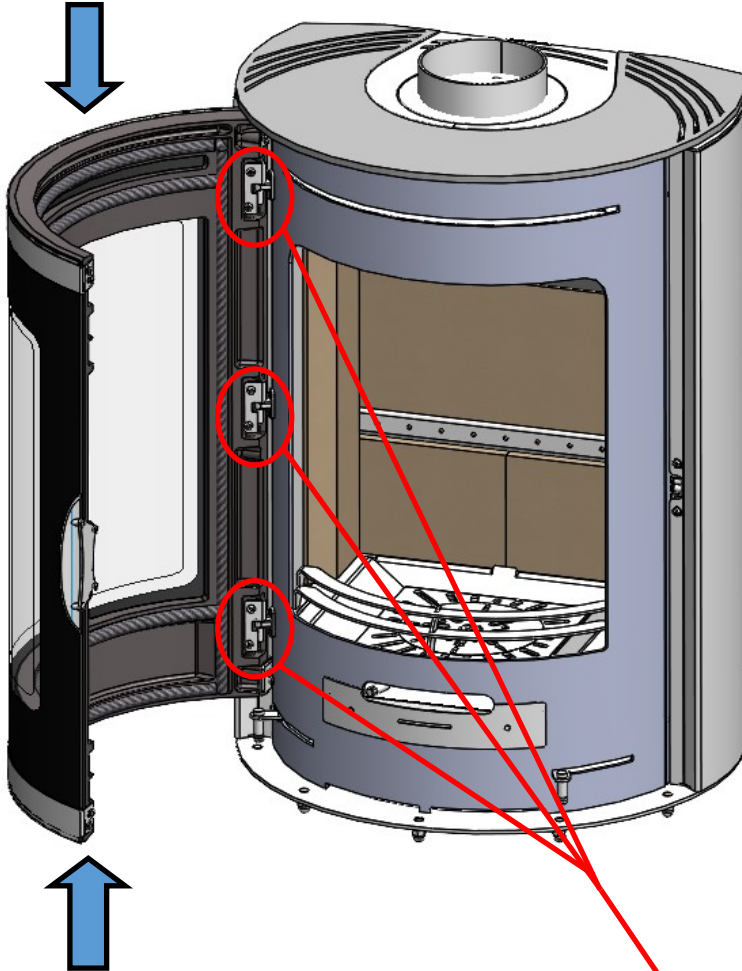


Striker Pin Flats To Accept 6mm
Spanner For Removal.

TECHNICAL GUIDE—Replacement Glass Hoxton

STAGE 2:

With the fire door open, obtain assistance of a second person to hold and support the door. Remove the 3x hinge retaining plates and screws. Lift the door assembly clear from hinges.

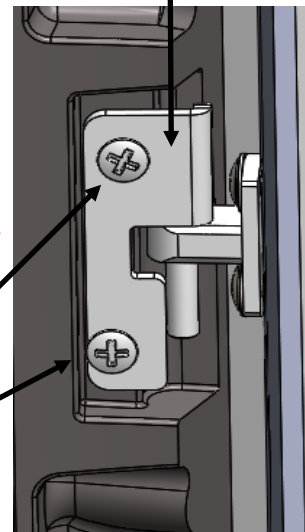


IMPORTANT NOTE !

Extreme care is required when removing the door assembly (Excess Of 25KG).

Always obtain assistance to support the door (Blue arrows) before removing the 3x hinge retaining plates and removing the door assembly from the stove body.

Remove Hinge Retaining Plates



Remove Retaining Plate Screws

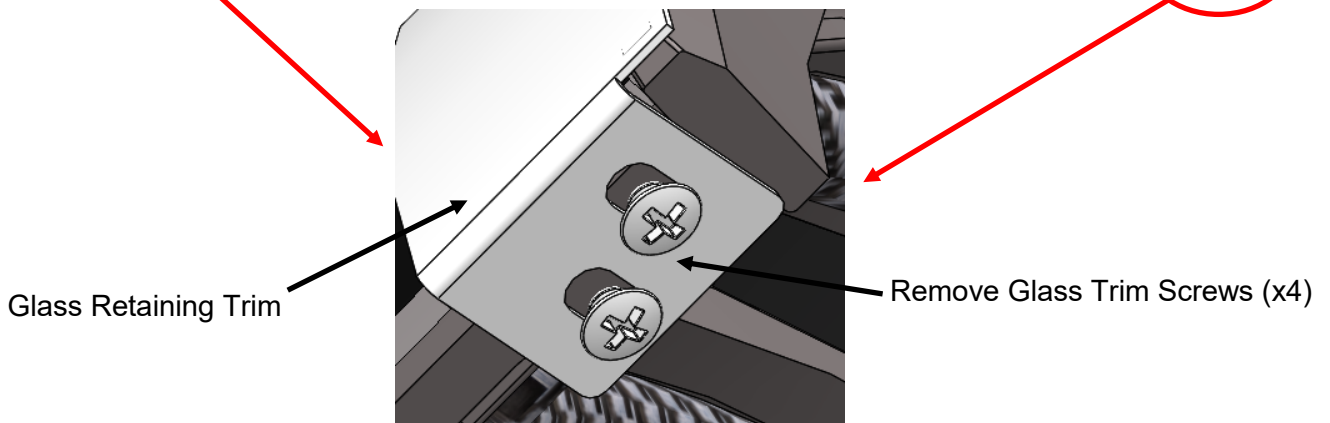
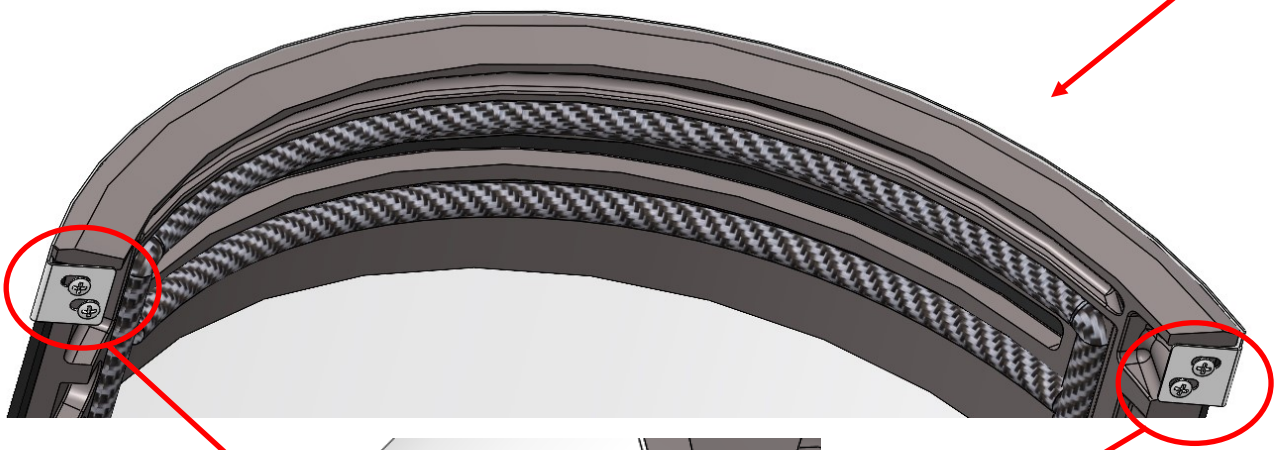
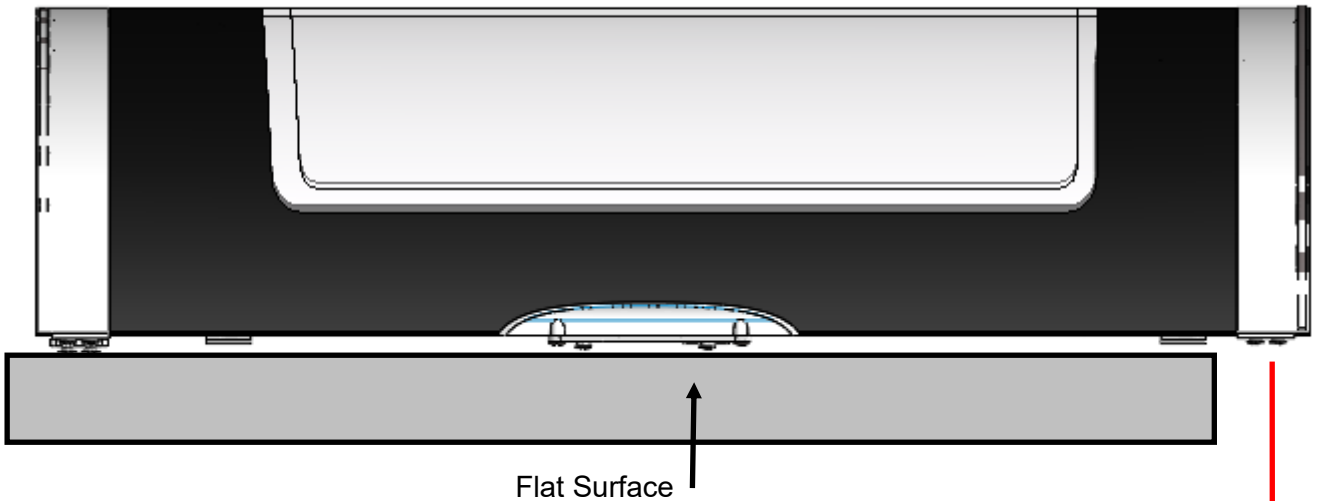
TECHNICAL GUIDE—Replacement Glass Hoxton

STAGE 3:

With the door assembly removed, place the door onto a suitably flat surface, so that the front outside face is on top.

Over hang the top of the door just enough to gain access to the trim retaining screws, (2 per side), remove all screws and the glass retaining trim.

Side View



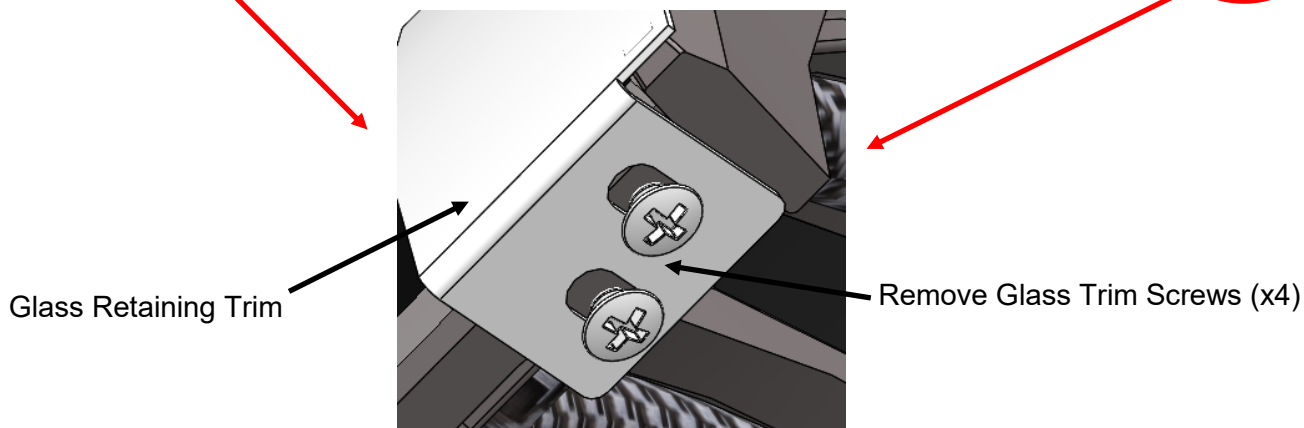
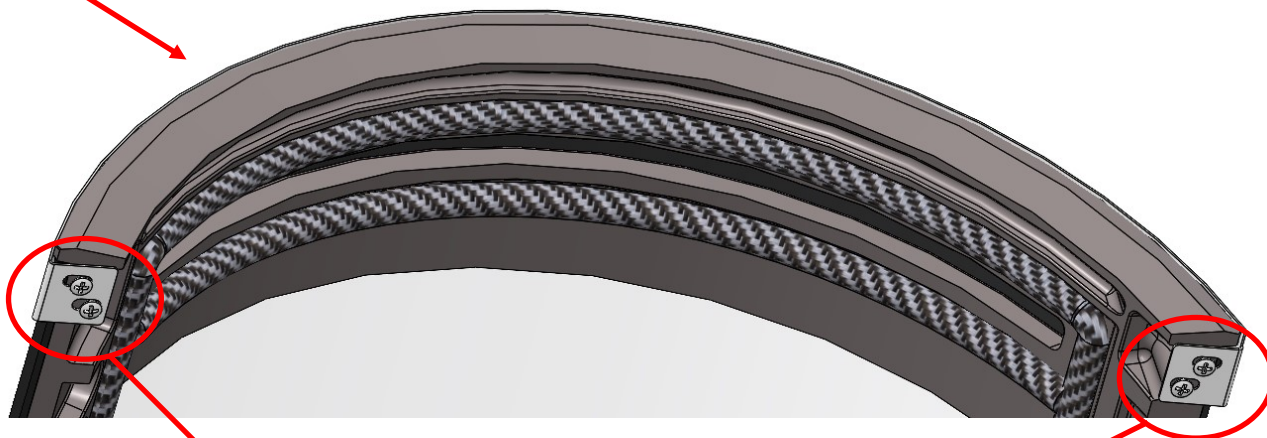
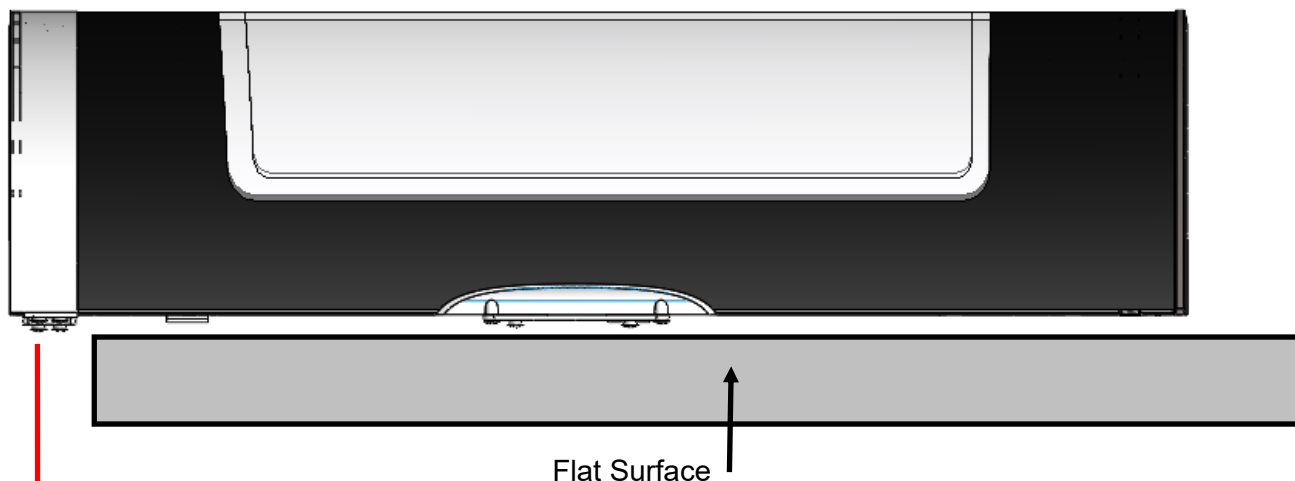
TECHNICAL GUIDE—Replacement Glass Hoxton

STAGE 4:

With the top glass retaining trim and screw fixings removed, carefully, move the door assembly, so that the base of the door is over hanging the edge of the flat surface (as shown below).

Again, over hang just enough, as to gain access to the trim retaining screws, (2x per side).

Side View



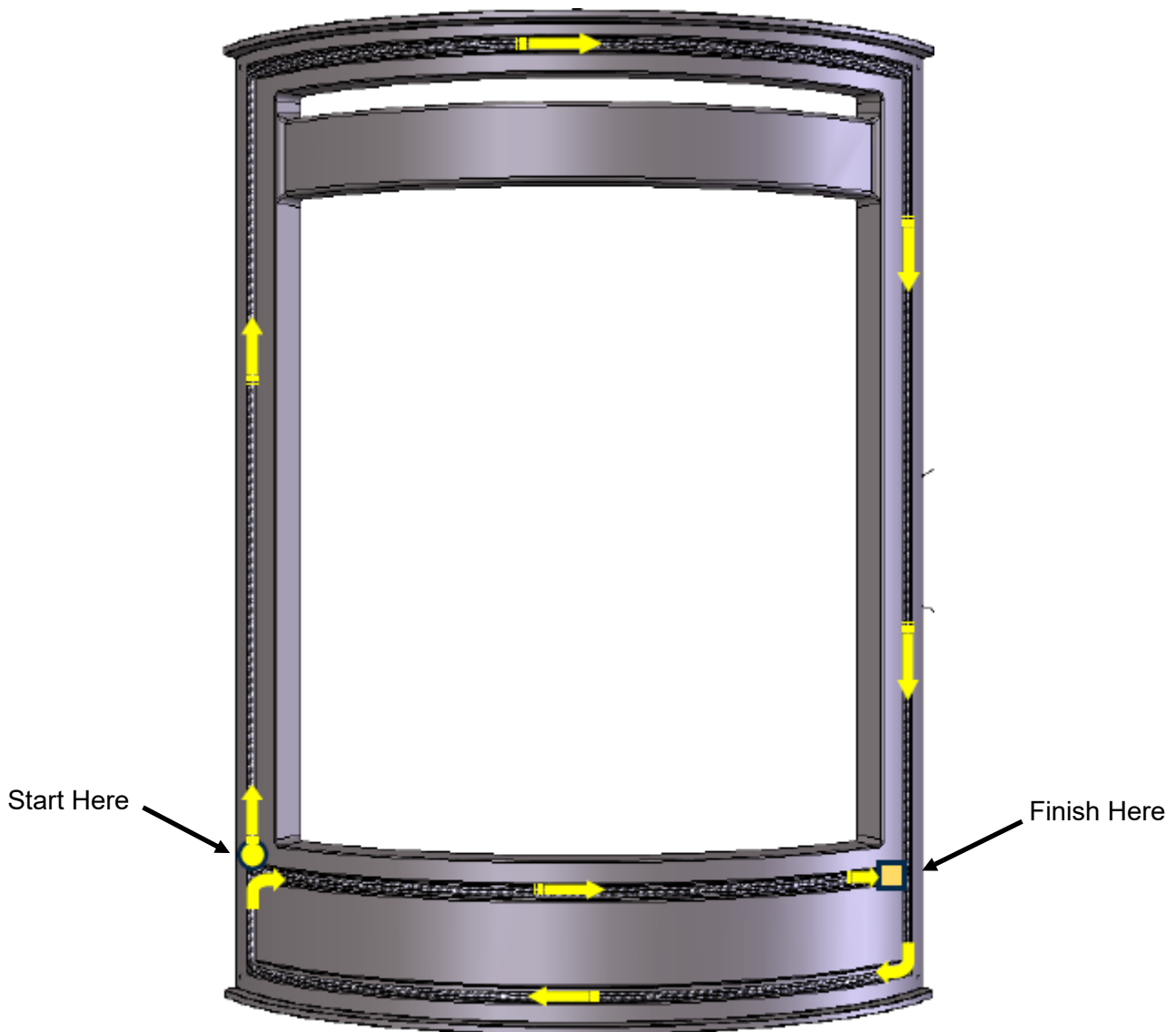
STAGE 5:

With both retaining trims removed and using suitable, eye and hand protection carefully remove any broken or damaged glass.

Take note of the layout of the rope glass seal. Remove the old seal, ensuring that no residue glue or rope remain on the door casting.

Inside your replacement glass kit is a length of glass seal, see the below diagram for the layout of the replacement seal. Remove the backing strip from the tape and apply self adhesive side into the groove within casting.

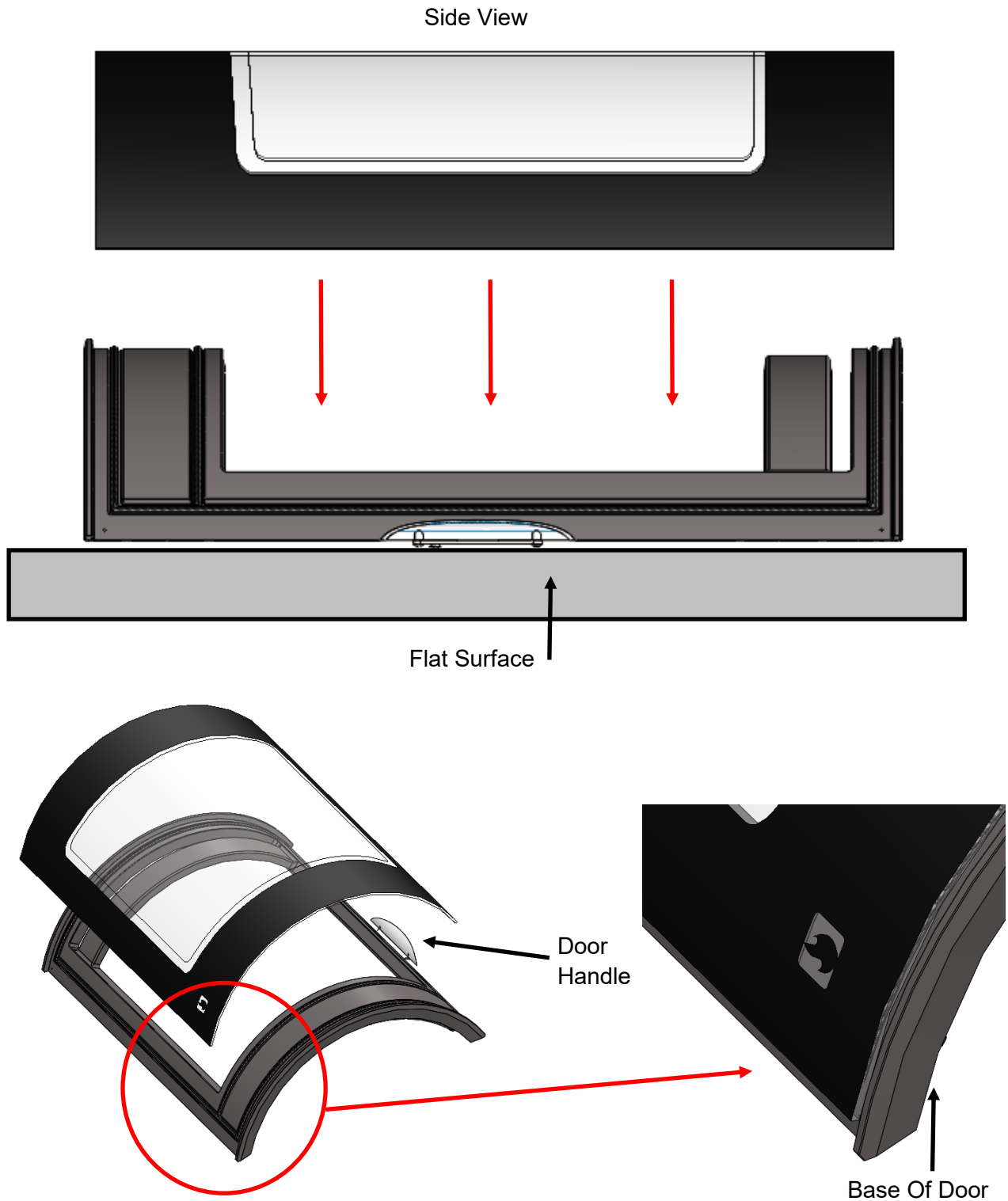
Follow the below directional path until the ends join. Cut and remove excess rope seal.



TECHNICAL GUIDE—Replacement Glass Hoxton

STAGE 6:

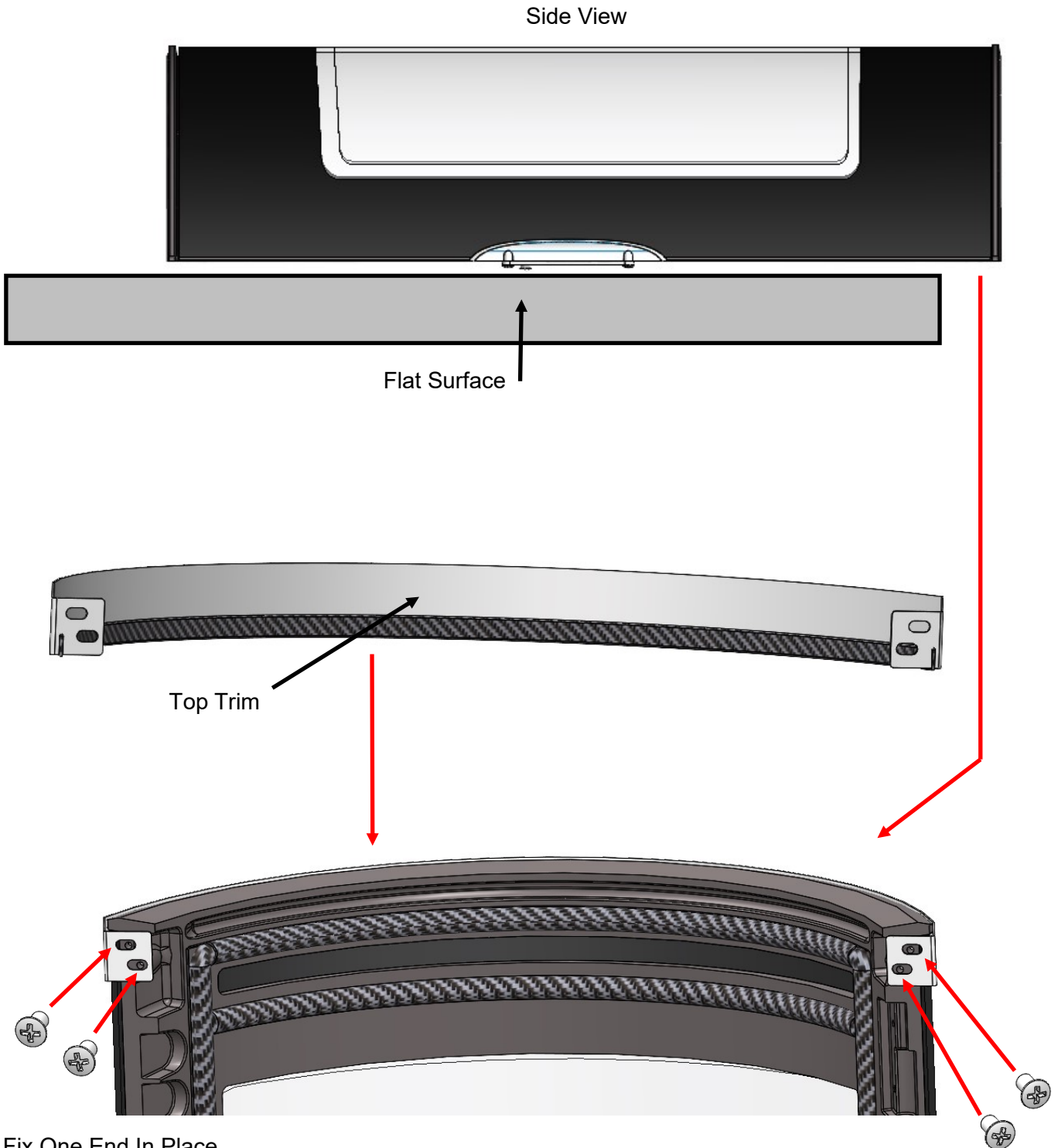
Carefully place the replacement curved glass panel onto the rope seal, ensuring that the logo is opposite to the handle side (bottom left hand corner, when viewed looking at the door).



STAGE 7:

With the glass in situ, very carefully slide the top of the door assembly, just over the edge of the flat surface.

Take the top trim (removed earlier in stage 3) and re-affix this to the assembly using 4x screws removed earlier. Please note, ensure the rope seal is in place on trim.

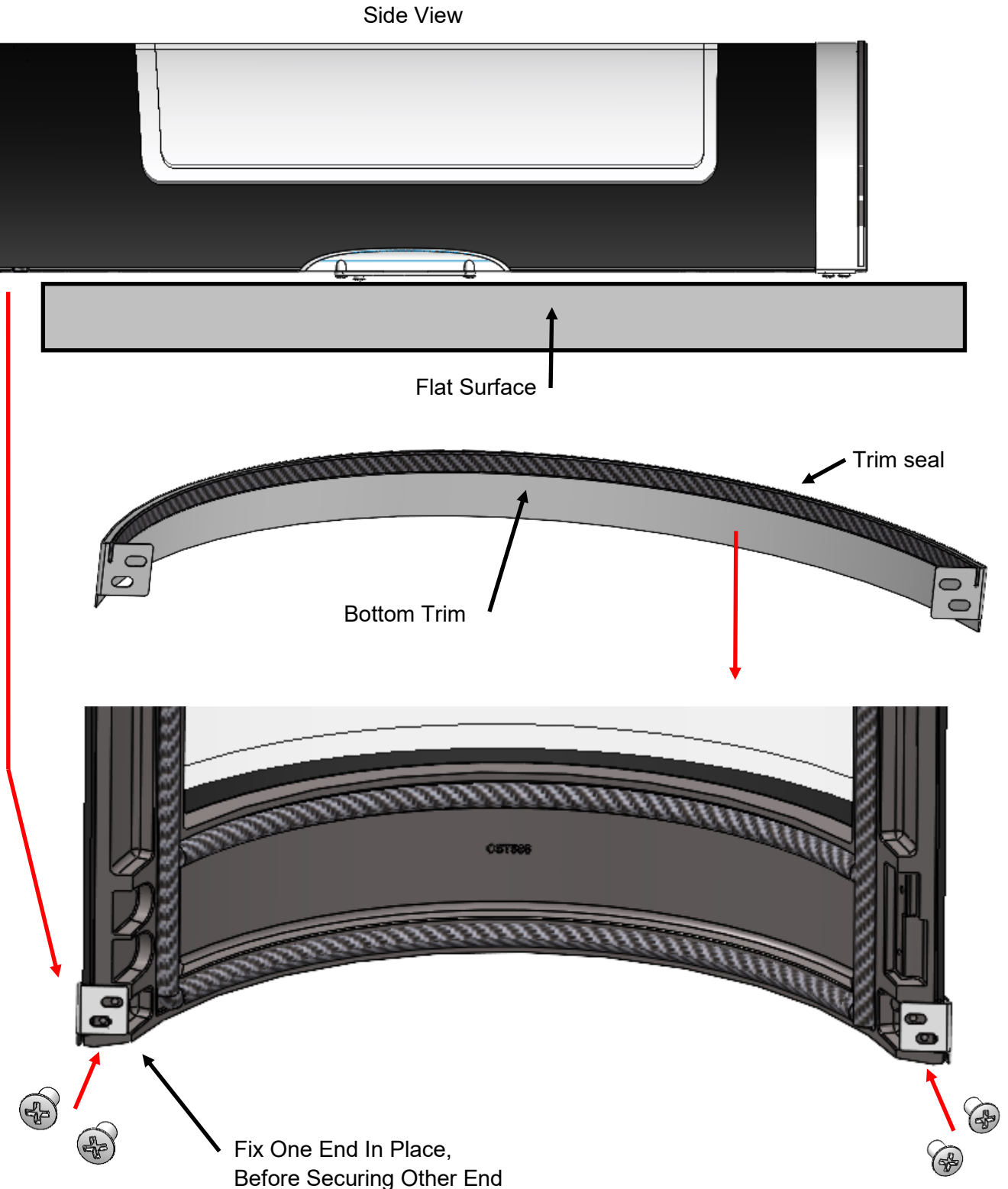


Fix One End In Place,
Before Securing Other End

TECHNICAL GUIDE—Replacement Glass Hoxton

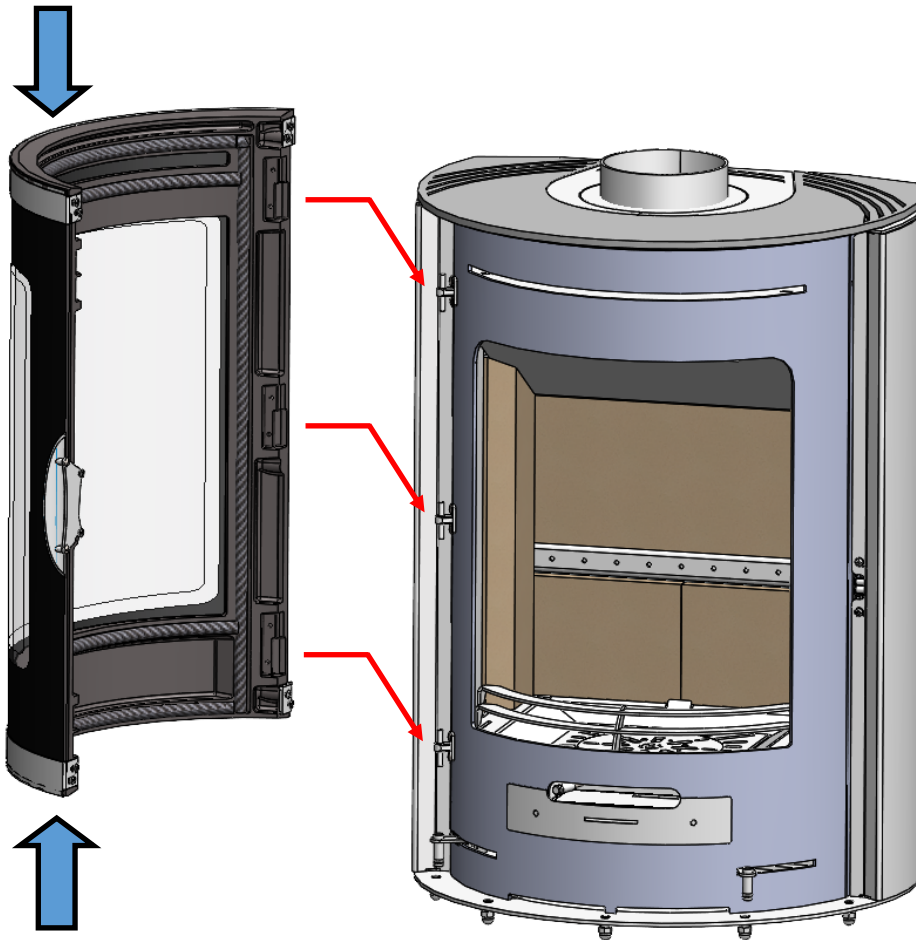
STAGE 8:

Again, reverse the process of Stage 4, carefully slide the edge of the door assembly over the edge of the flat surface, just enough to access the trim mounting fixings. Replace the bottom trim, ensuring the seal is in situ on trim, use 4x screws removed earlier in stage 4.



STAGE 9:

Again, reverse the process of Stage 2, **NOTE**, this is a two person operation, ensure door assembly is seated correctly on the hinges, before re-assembling the hinge retaining plates as shown below.



IMPORTANT NOTE !

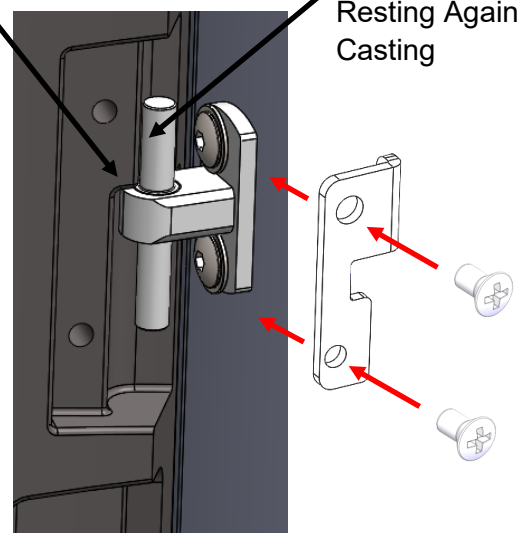
Extreme care is required when replacing the door assembly (Excess Of 25KG).

Always obtain assistance to support the door (Blue arrows) before aligning the hinges and re-assembling the 3x hinge retaining plates. **NOTE:** Loosely fit all 3x plates before fully hand tightening all screw fixings.

DO NOT USE POWER TOOLS TO TIGHTEN FIXINGS, DAMAGE TO CASTING MAY OCCUR.

Casting Seated
Against Hinge Pin

Hinge Pin
Resting Against
Casting



TECHNICAL GUIDE—Replacement Glass Hoxton

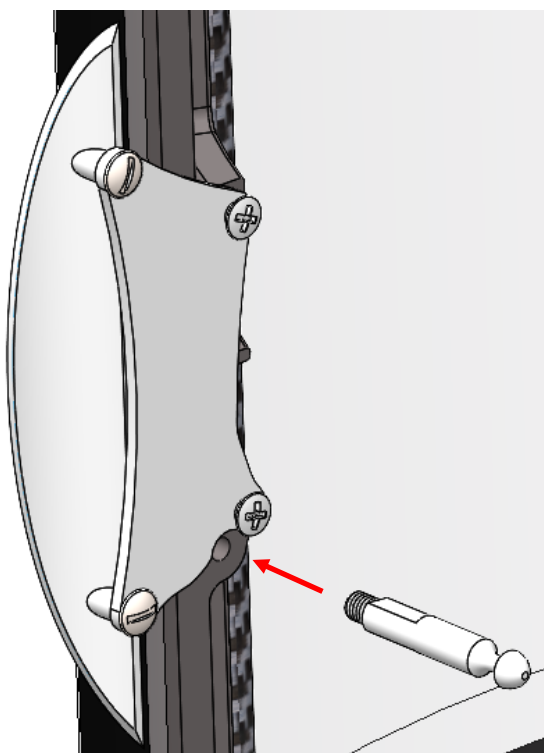
STAGE 10:

Replace the catch striker pin that was removed in Stage 1.

Simply screw the pin into the threaded hole within the door casting.

Check operation of the door with the catch, ensure a good seal between the door rope and body of the stove and the catch retains the door shut.

If adjustment is required, the striker pin can be adjusted outwards by placing a M6 washer or lock nut behind the striker pin.



Arada Ltd

The Fireworks, Weycroft Avenue - Axminster - Devon, EX13 5HU, UK

www.aradastoves.com T: +44 (0)1297 632050 Email : info@aradastoves.com