

Terrace Fire Pits
(Small & Medium)
User Guide



PLEASE RETAIN THIS GUIDE FOR FUTURE REFERENCE

Congratulations on the purchase of your new Terrace Fire Pit!

More than 30 years of experience has been put into the development of your heater to ensure ultimate performance and years of trouble free use and enjoyment.

Every detail of your appliance has been carefully designed and engineered which is why we are so confident in the reliability of our products.

Should you have any questions about your heater which are not covered by this user guide, please contact your retailer in your area or visit our website : www.aradastoves.com, which offers a further information on how to care for and get the best from your appliance.

Please ensure that you read these instructions in full and understand them before operating your heater.

Arada has a policy of continuous product development and therefore we reserve the right to amend specifications without prior notice.

Due to printing cycles, items or options may be described before they are generally available or after they have ceased in production.

Please check with your retailer or dealer if you are unsure about any aspect of your appliance, its installation or the correct use.



IMPORTANT NOTE :

The following items are packed together with your terrace fire pit for shipping purposes :

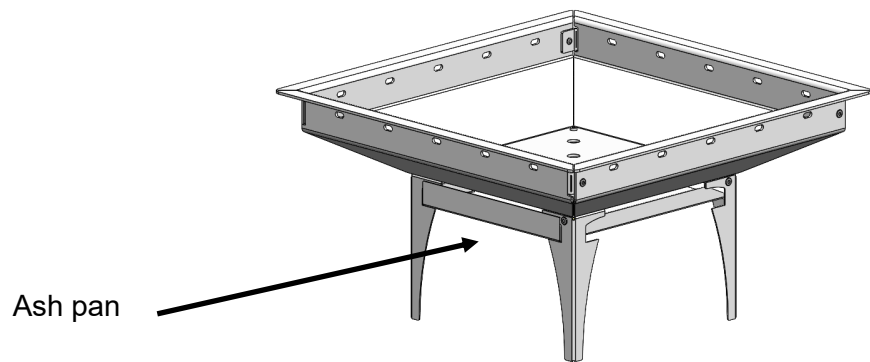
- 4x Pre-formed bolt on legs
 - 1x Ash pan
 - 4x M5x16 screws
 - 1x 3mm Hex Key

Installation of the above items should be carried out by a suitably competent person (s).

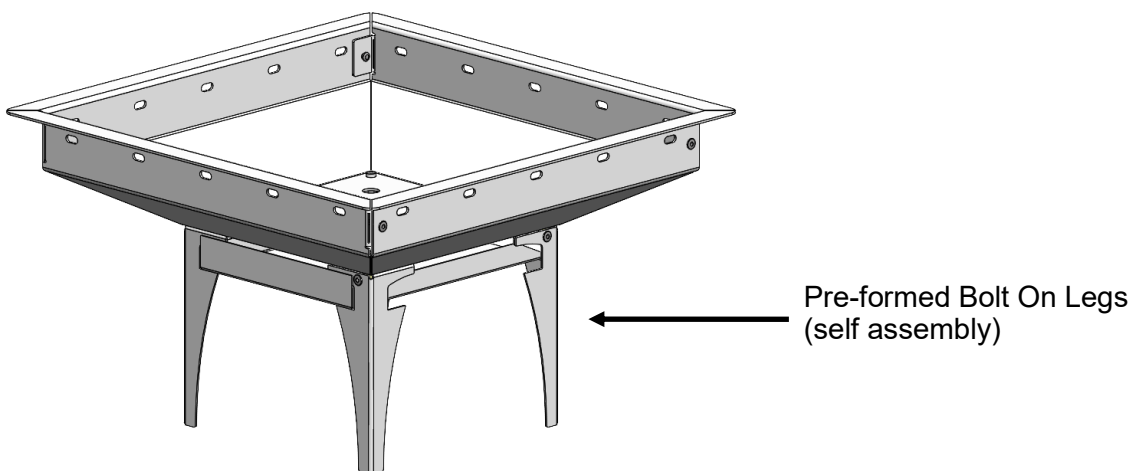
Contents

1. Identifying your Terrace Fire Pit.....	3
2. Warnings	4
3. Preparation for use	5
4. Lighting your Fire Pit	6
5. Care of your Fire Pit.....	7
6. Warranty	7
7. Optional accessories.....	7
8. Recycling.....	8

1. Identifying Your Terrace Fire Pit



Terrace Fire Pit (Small)



Terrace Fire Pit (Medium)



IMPORTANT INFORMATION

2. Warnings—

Any manufacturer's instructions must not be taken as overriding statutory requirements.

The appliance is solely designed only to be used **OUTDOORS** and should never be installed or used inside a building or property.

Do Not use this heater under a covered area, such as an tent or marquee or gazebo.

Do Not use aerosol sprays or other flammable materials near the appliance when in use.

Do Not use the appliance as an incinerator.

For WOOD LOGS Or CHARCOAL ONLY. We recommended seasoned dry wood logs with a moisture content of less than 20% for heating purposes, however, man-made or compressed logs can be used.

Lump wood charcoal can also be used, especially for cooking purposes.

Pure petroleum coke or Bituminous house coal or MSF (manufactured solid fuels) must **NOT** be burned in this appliance.

The use of these fuels will invalidate the appliance guarantee.

Use only recommended fuels, **STRICTLY NO** unsuitable and non recommended fuels or materials or liquid fuels allowed.

A suitable non flammable level surface would be an ideal location for the heater, however, the appliance can be used upon wooden decking or grass, but caution should be exercised when re-fuelling the appliance due to the risk of hot falling ash when refuelling.

Caution must be exercised during operation of the appliance as all surfaces will be hot to touch, use suitable stove gauntlets.

Caution should be used in the presence of children, elderly people and pets should be kept away from the appliance or use a suitable fireguard conforming to BS 8423:2002 could be used.

Always observe the distances to combustible materials.

Ensure no soft furnishings or garden foliage, such as overhanging branches, leaves and bushes are susceptible to heat radiating from the appliance.

Ignoring the warnings could lead to damage/injury to persons and/or property.

Arada Ltd will not be responsible for any consequential or incidental loss or injury however caused.

3. Preparation For Use —

- Locate a suitable placement for the terrace fire pit, taking in mind the location of combustible materials and level ground requirements. Moving of the terrace fire pit is best, with an additional person standing either side of the unit.
- Remove the outer box, plastic bag packaging, locate the internal bubble bags containing the pre-formed legs, together with a bubble bag with the ash pan and further bag with the fixing screws and hex key. See section on recycling of waste materials.
- Next, taking the main body of the terrace fire pit, place on a level surface and prop up the base (See Fig. 1.)
- Take 1x pre-formed leg and 1x M5x16 screw, feed the screw through the hole in the base of the fire pit. Offer up the threaded section of the leg and engage screw thread. At this stage only hand tighten.(See Fig. 2.)
- Repeat for the remaining 3x legs.
- Stand the unit upright on a level surface, and fully tighten the 4x screws using the 3mm hex key provided. Please note, ensure that the legs are parallel to the corners. (See Fig. 3.)
- Ensure the ash pan slots between the notches within the legs (See Fig. 4.)

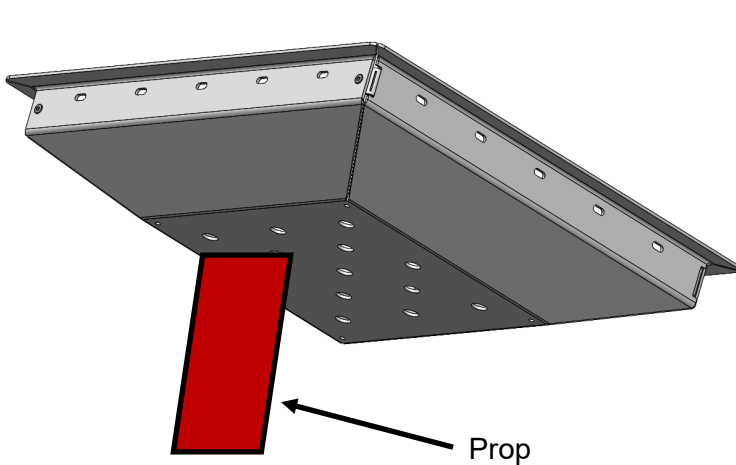


Fig. 1

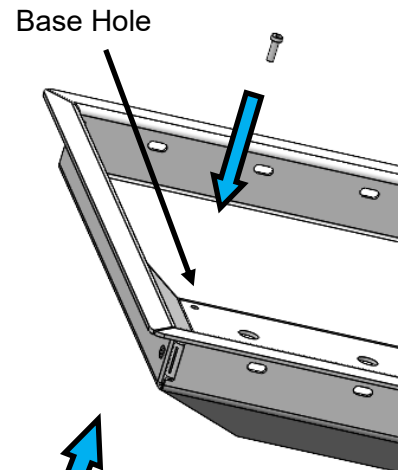


Fig. 2

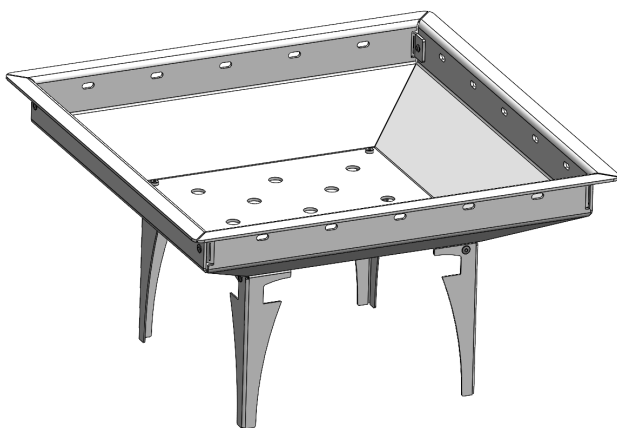


Fig. 3

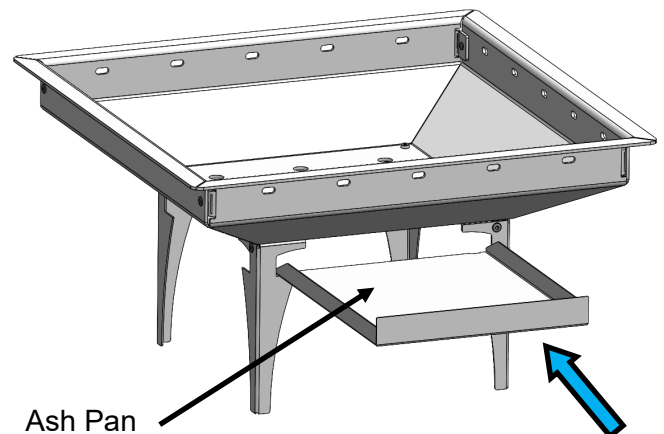


Fig. 4

4. Lighting Your Fire Pit —

- Using the 'Top Down Lighting Technique', begin to place 2x large logs (approx. 100mm in diameter) in the front to back position, within the base of the firebox. (See Fig. 5)
- Next, place smaller logs 180 degrees to the larger logs. Infill these with suitable firelighters.
- On top of the smaller logs, build a grid of kindling and place a further fire lighter on the very top. (See Fig. 6)
- Light the top fire lighter, the structure will start to burn downwards causing the lower combustion products to ignite.
- Wait for approximately 5-10mins, to establish an ash bed.
- Reload on to a hot glowing ember bed with fresh logs.
- If using charcoal for fuel, follow the above procedure for wood. Except once the established ash bed has been achieved, carefully load with lump wood charcoal.



DO NOT use and flammable liquids for lighting or re-lighting this heater. During the first lighting an odour may be present, this is normal and will disappear once the paint has cured.

KEEP, Children, elderly and pets away from the appliance during use.

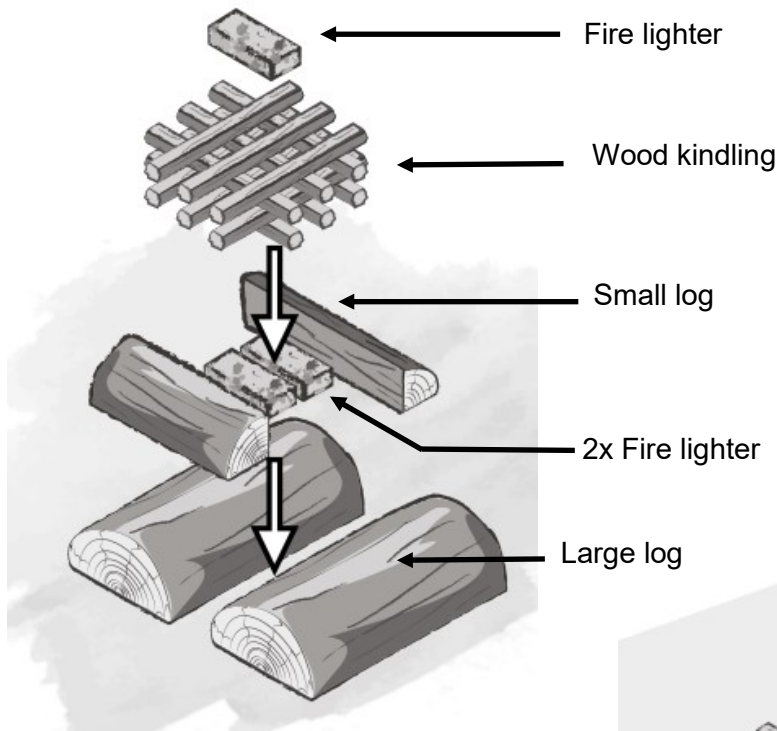


Fig. 5

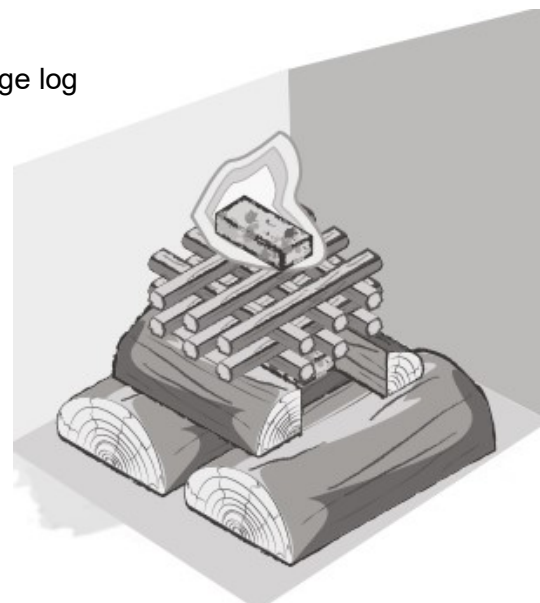


Fig. 6

5. Care Of Your Fire Pit —



After use, allow your fire pit to completely cool. **Caution** should be exercised, as although the flame may be extinguished, there may be red hot embers or the casing of the appliance may still be **HOT**.

- Before moving or cleaning the appliance ensure it is cool to touch.
- Do not allow the ash to build up above the sides of the appliance, remove the ash if it becomes too high. Dispose of the ash appropriately.
- Cleaning the exterior finish, use a soft brush and a damp lint free cloth.
- Your Terrace fire pit is designed to be kept undercover and dry when not in use. There are holes within the base of the pit, however, this is to allow the ash to fall into the ash pan. If kept outside in the rain, then the ash pan, will act as a bucket, so therefore it is recommended that the ash pan is left out off the unit when not in use.
- For long term storage over the winter months, we recommend, storing the unit inside out of the elements. Apply a coating of light oil (linseed) over the exterior and cover with a waterproof tarpaulin.
- After long term storage, inspect the unit for wear and tear or damage.
- Replacement parts can be obtained from www.aradastovesandspares.com or your local retailer.



PLEASE NOTE : Discolouring of the exterior finish and surface oxidation is normal, through usage, heating & cooling etc, and adds to the patina of the appliance.

6. Warranty —

Your Terrace fire pit comes with a **ONE** year warranty, covering against defect in materials and workmanship.

For the purposes of this warranty, a material or manufacturing defect includes the splitting or cracking of the main body (defined as the steel outer casing and items fixed immovably to the casing).

All other items are classed as consumable components and are therefore subject to damage through wear and tear or incorrect use or application, such as over-firing or the use of non specified or incorrect fuels.

7. Optional Accessories —

Additional optional accessories are available for your Terrace fire pit, these can be purchased via your suppling retailer or direct from www.aradastoves.com.

Available options include:

- Terrace fire pit grill and attachment (Part code : ARA056)
- Pair of Arada gauntlets (Part code: ARA055)

7. Recycling



7.1 Packaging recycling

The majority of the packaging components can be recycled, by the material components:

CARDBOARD (Outer packaging) - Most local councils will collect cardboard as part of their kerbside collection; Otherwise, cardboard can be recycled at your local [Household Waste Recycling Centre](#).

PLASTIC (Internal Bubble Packing / Bags / Outer Strapping) - Some district councils collect plastic packaging in their kerbside collections; Alternatively, most supermarkets have plastic bag collections.



7.2 End of life product recycling

Again like the packaging the majority of the appliance components can be recycled, by the material components:

CAST IRON & STEEL (Stainless steel)- All metal components can be recycled at your local [Household Waste Recycling Centre](#).

Your local Household Waste Recycling Centre can be located—
<https://www.recyclenow.com/local-recycling?>



Arada Ltd

The Fireworks, Weycroft Avenue, Axminster, Devon, EX13 5HU United Kingdom

www.aradastoves.com

www.aradastovesandspares.com

Tel: +44 (0)1297 632 050

