

ARADA
— DEVON —

Terrace Fire Pit Grill Attachment

Optional accessory fitting instructions



PLEASE RETAIN THIS GUIDE FOR FUTURE REFERENCE

BK 770 Rev 01

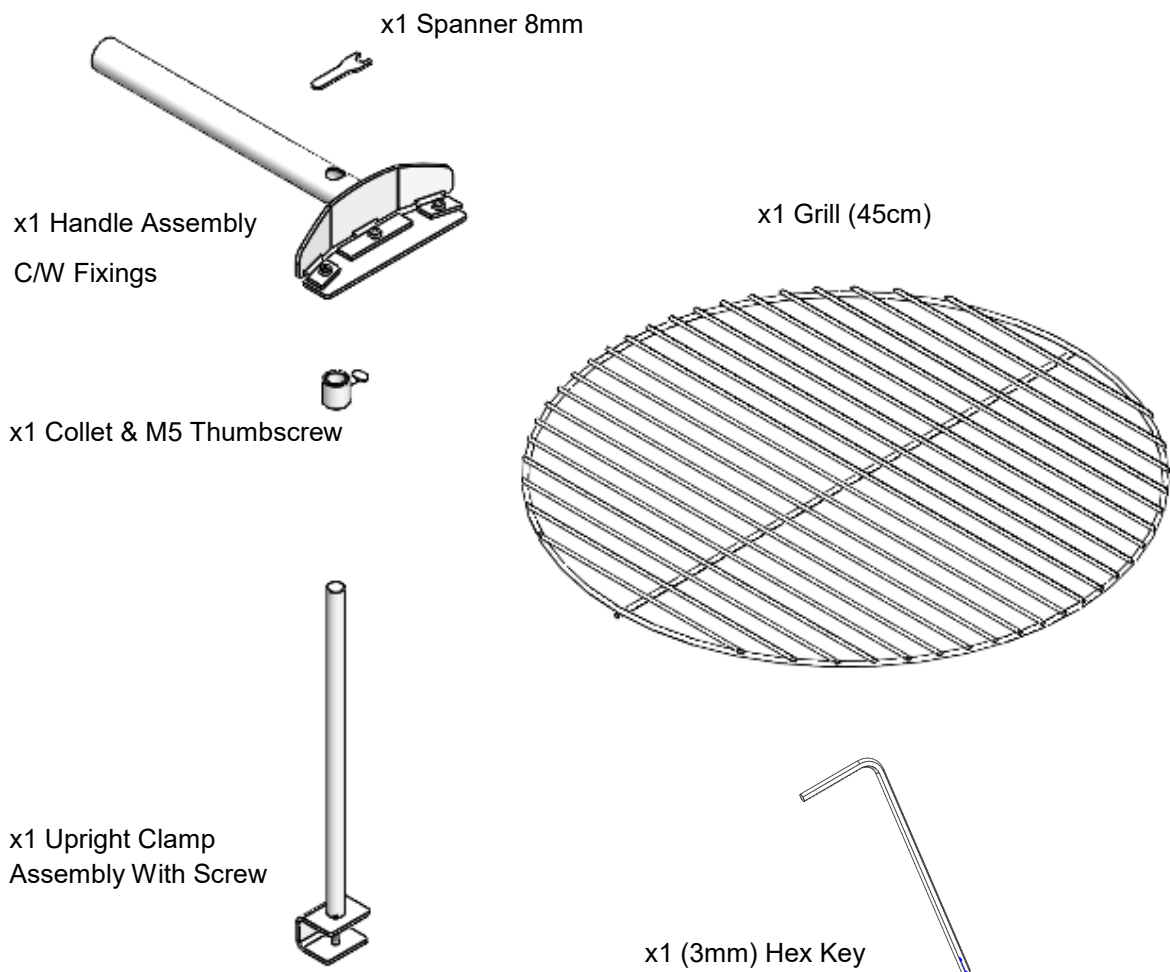
ISSUE DATE : 21/07/2022

**UK
CA**

Terrace Fire Pit Grill Attachment

1. Contents Of Kit :

Arada Part Code : ARA056



2. Warnings :



IMPORTANT—Please ensure the appliance is cold and unlit before commencing fitting this accessory kit.

Observe safe working practices whilst installing or adjusting these components.

Please refer to the main instruction booklet, relevant to your fire pit, for guidance and operation of the appliance.

Arada Ltd will not be responsible for any consequential or incidental loss or injury however caused.

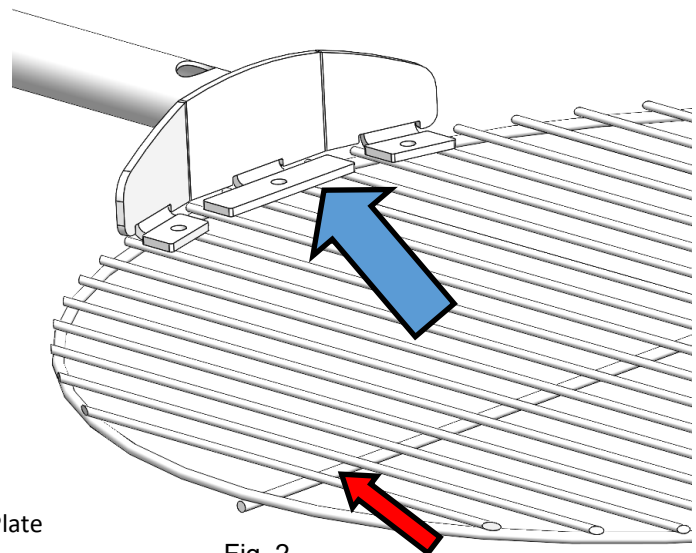
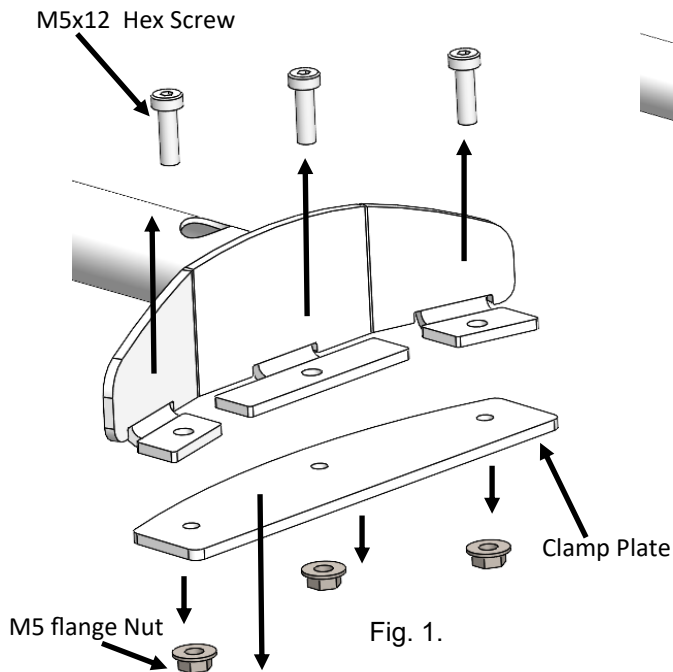
Terrace Fire Pit Grill Attachment

3. Initial Assembly Of Round Grill Components

Step 1 : Take the handle assembly and remove the loosely assembled M5 hex key screws and flanged nuts. Once the fixings have been removed, lift off the clamp plate See Fig. 1.

Step 2 : Next, take the round grill and position onto the handle assembly bracket. Within the grill, you will notice a central wire, running across the grill. This wire needs to be parallel to the handle as per Fig. 2.

Step 3 : Place the clamp plate on the underside of the round grill and insert one of the M5x12 Hex key headed screws through holes in the handle bracket and clamp plate, affix one of the M5 flanged nuts on the underside, therefore clamping the grill to the handle assembly. Repeat for the remaining fixings, fully tighten with spanner and hex key supplied. See Fig. 3.



Central Wire Bar, Parallel To Front

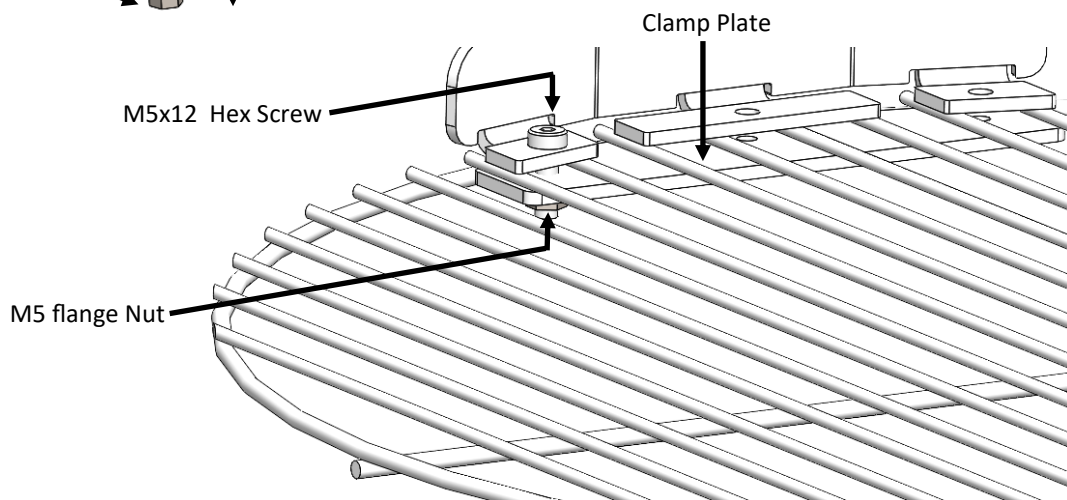


Fig. 3.

Terrace Fire Pit Grill Attachment

4. Attaching The Grill Assembly To The Terrace Fire Pit

Step 1 : Ensure your terrace fire pit is unlit and cold.

Step 2 : Take the upright clamp assembly and loosen the base clamp screw. Position the clamp over the edge lip on the terrace fire pit. See Fig. 4.

Step 3 : Tighten the base clamp screw using the 3mm Hex key provided in the assembly kit and thus securing the upright assembly to the lip.

Step 4 : Next, slide the collet on to the upright bar and secure in place with the M5 thumb screw. It is recommended to position the thumb screw opposite from the source of heat from the fire pit and thus reducing the temperature to the thumb screw. **DO NOT** over tighten the thumb screw as damage to the upright bar may be present. See Fig. 5.

Step 5 : Place the grill sub assembly onto the upright via the hole located at the front of the handle tube. See Fig. 6. Rest the grill onto the secured collet. See Fig. 7.

Step 6 : Depending upon the heat generated, raise or lower the collet via the thumb screw, depending upon the rate of heat required for cooking.

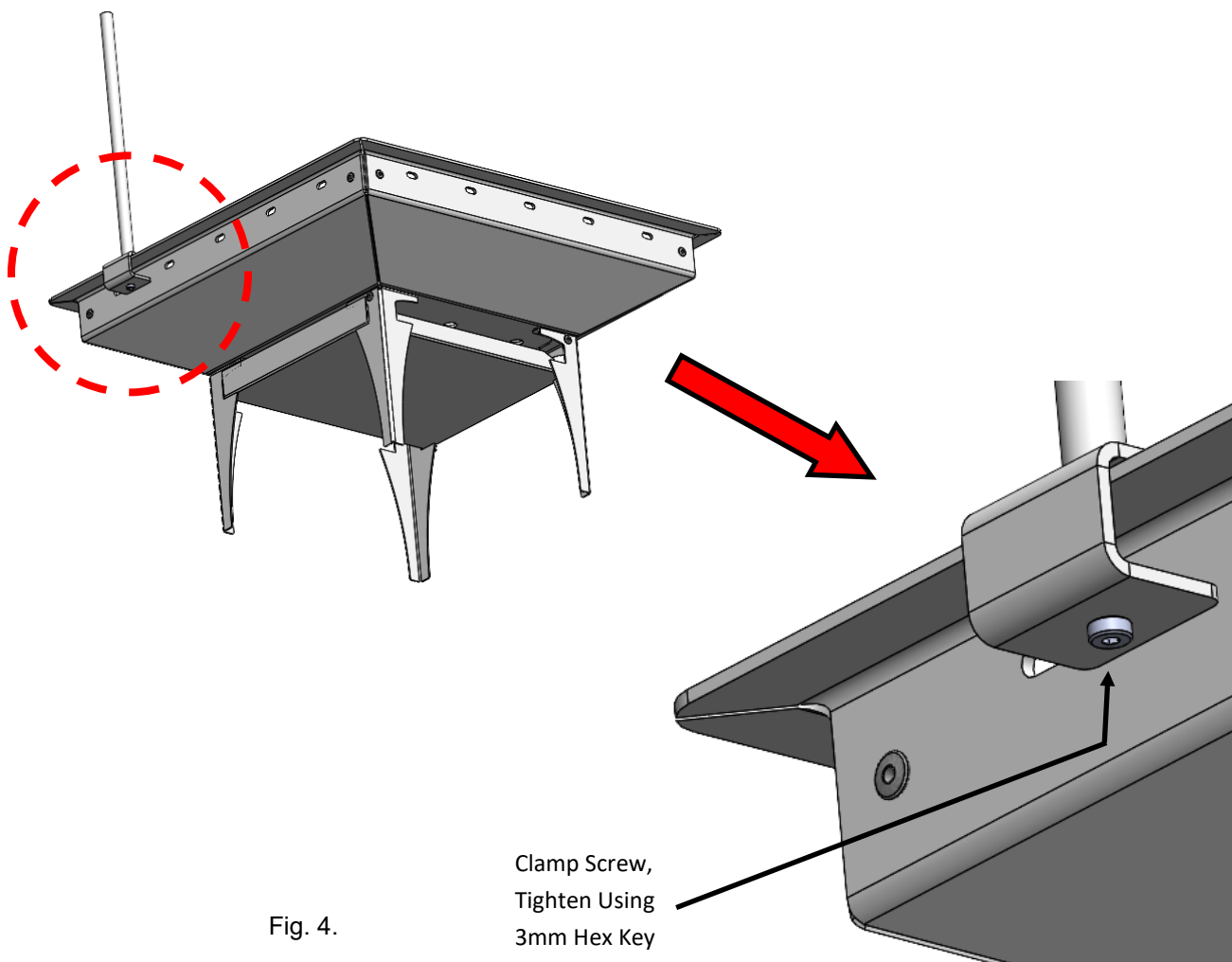


Fig. 4.

Terrace Fire Pit Grill Attachment

4. Grill Assembly To Terrace Fire Pit, Continued:

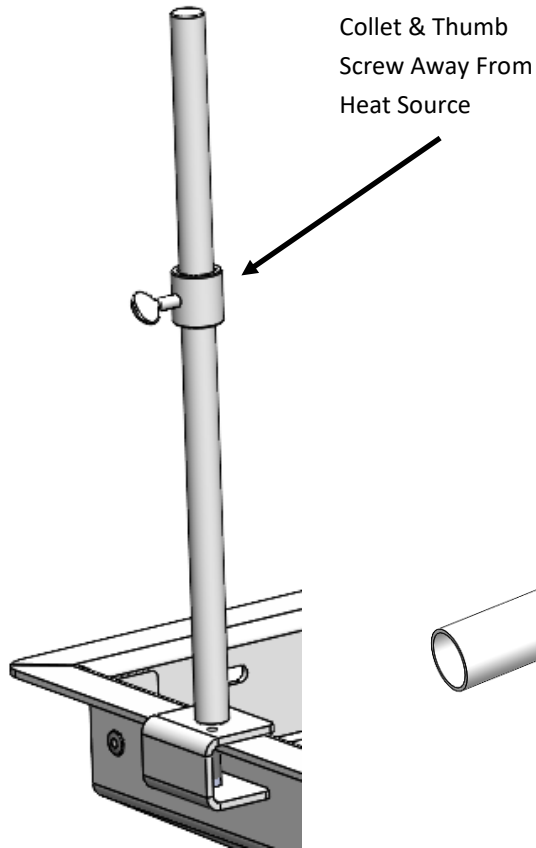


Fig. 5.

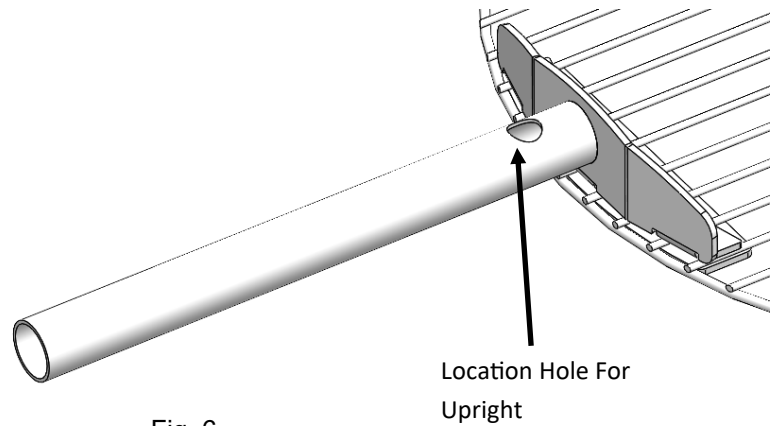


Fig. 6.

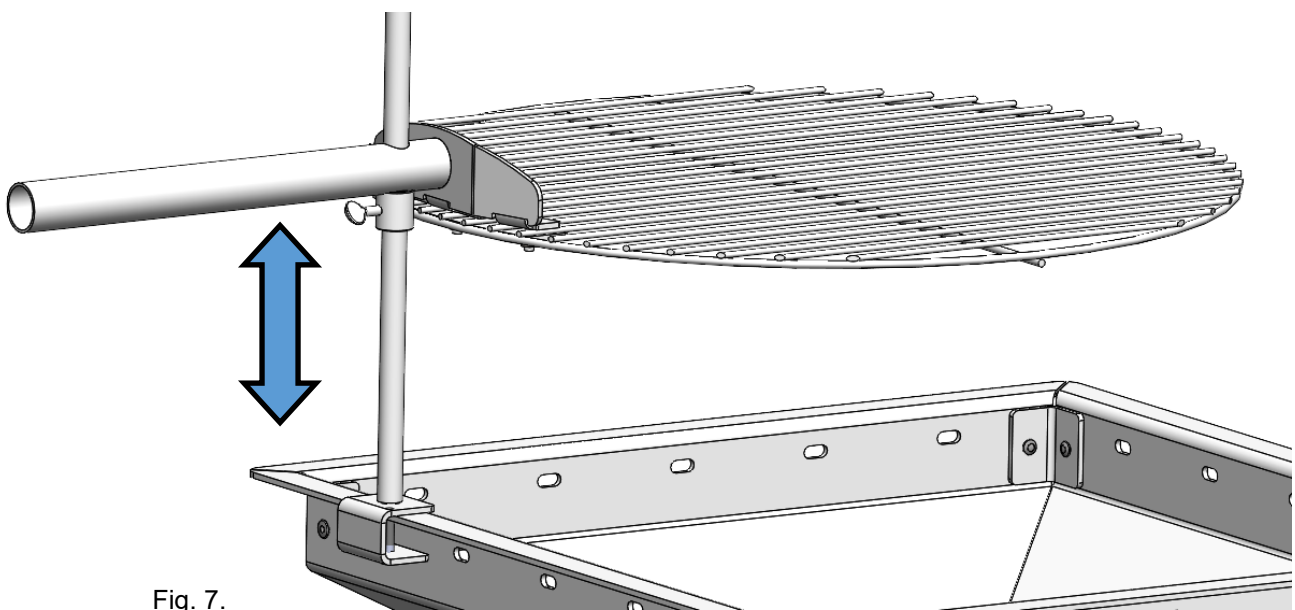


Fig. 7.

Terrace Fire Pit Grill Attachment

5. Notes On Cooking With Your Terrace Pit

For best results, we recommend cooking with charcoal as this has good heat retention, compared to wood which does burn hotter, but has a poor retention of heat. Therefore the gradual heating from charcoal is preferred when cooking.

Please refer to BK769, user guide for your terrace fire pit, for use of fuels.

Height adjustment of the grill will be required, depending upon the rate of heat required for cooking, this can simply be performed by raising or lowering the collet using the thumb screw, caution should be exercised as the thumb screw and grill handle will be hot when in use.



WARNING

CAUTION : During use, the collet and thumb screw will be hot to touch, please use a suitable glove to prevent burns and scolding.

CAUTION : The grill handle together with the grill assembly will be hot to touch. Use suitable kitchen gloves or gauntlets when removing or adjusting the grill assembly.

6. Cleaning The Grill Assembly

To clean the grill, simply burn at high heat to remove any remaining food residue, or use a suitable BBQ grate cleaner, spray on and leave for 30 seconds. Wire brush the grate and wipe clean with a damp cloth, before cooking.

Always follow the grate cleaner manufacturers instructions for use.



Arada Ltd

The Fireworks, Weycroft Avenue, Axminster, Devon, EX13 5HU United Kingdom

www.aradastoves.com

www.aradastovesandspares.com

Tel: +44 (0)1297 632 050

