



Product Fiche

Supplier Name or Brand	Arada Ltd
Product Code	EB20HE-G5
Energy Efficiency Class	A
Direct Heat Output (wood)	4.8 kW
Indirect Heat Output (wood)	14.9 kW
Energy Efficiency Index	92.4
The useful energy efficiency at nominal heat output and at minimum load (wood)	70.5 %

Specific precautions that shall be taken when the local space heater is assembled, installed or maintained: *Product should be installed in accordance with local building regulations. Appliance will become very hot during use.*

Dimensions

Width	590 mm
Height	659 mm
Depth	443 mm
Flue Diameter	152 mm
Height to centre of rear flue	498 mm
Depth from back to centre of top flue	152 mm
Ideal log length	405 mm

Features

Flexifuel	No
Stove body type	Freestanding
Suitable for Smoke Control Areas	No
Suitable for direct air connection	Yes
Suitable for non-combustible 12mm hearth	No
Max operating pressure	3 bar
Max hearth Temperature	156.1 °C
Weight gross (packed kg)	180 Kg

Performance - Wood & Solid Fuel

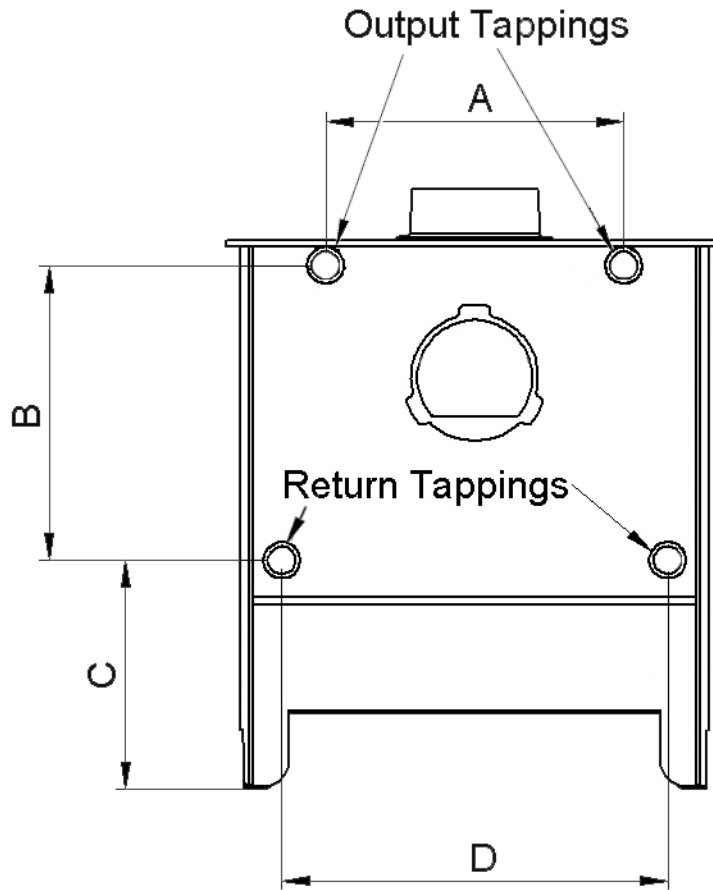
	Wood Fuel	Smokeless Solid Fuel
Energy Efficiency Class	A	A
Nett Efficiency	68.2 %	70.5 %
Nominal Output to Space	4.8 kW	10.0 kW
Nominal Output to Water	14.9 kW	18 kW
Mean CO Emission(@13% O2)	0.51 %	0.81 %
Mean Co2 Emission(@13% O2)	11.63 %	-
Mean NOx Emission(@13% O2)	79 Nmg/m3	-
Mean OGC Emission(@13% O2)	479 Nmg/m3	-
Flue Gas Mass Flow	16.2 g/s	18.9 g/s
Flue Gas Temperature	438 °C	516 °C

Minimum Distance To Combustibles

To Rear	To Side	Above
180 mm	160 mm	456 mm

Boiler Tapping Measurements

Freestanding Boiler Tapping Measurements.
Rear view example shown. Not to scale.



A	B	C	D
340 mm	362 mm	268 mm	457 mm