



## Product Fiche

Supplier Name or Brand	Arada Ltd
Product Code	ECB11FPLUSsn
Energy Efficiency Class	A
Direct Heat Output	11.0 kW
Energy Efficiency Index	99.3
The useful energy efficiency at nominal heat output and at minimum load	74.7 %

Specific precautions that shall be taken when the local space heater is assembled, installed or maintained:  
*Product should be installed in accordance with local building regulations. Appliance will become very hot during use.*

## Dimensions

Width	625 mm
Height	638 mm
Depth	381 mm
Flue Diameter	127 mm
Height of stand	136 mm
Height of log store	336 mm
Total height on stand	774 mm
Total height on log store	974 mm
Height to centre of rear flue	529 mm
Depth from back to centre of top flue	121 mm
Ideal log length	500 mm

## Features

Flexifuel	Yes
Stove body type	Freestanding
Suitable for Smoke Control Areas	No
Suitable for direct air connection	Yes
Suitable for non-combustible 12mm hearth	Yes
Max hearth Temperature	62.8 °C
Weight gross (packed kg)	94 Kg

## Minimum Distance To Combustibles

To Rear	To Side	Above
800 mm	500 mm	381 mm

## Performance - Wood & Solid Fuel

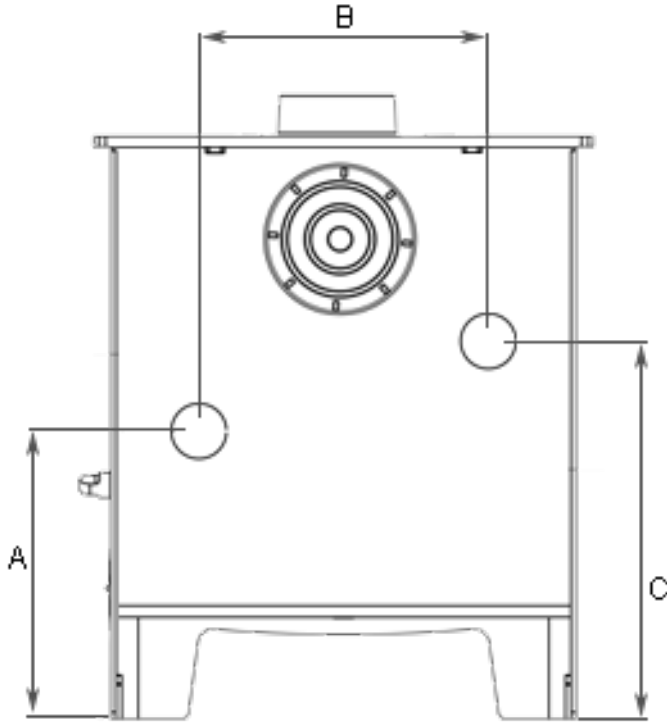
	Wood Fuel	Smokeless Solid Fuel
Energy Efficiency Class	A	
Nett Efficiency	74.7 %	%
Nominal Output	11 kW	11.0 kW
DIN+ particulate	Nmg/m3	Nmg/m3
Mean Co Emission(@13% O2)	0.71 %	%
Mean Co2 Emission(@13% O2)	%	%
Mean NOx Emission(@13% O2)	Nmg/m3	Nmg/m3
Mean OGC Emission(@13% O2)	Nmg/m3	Nmg/m3
Flue Gas Mass Flow	6.9 g/s	-
Flue Gas Temperature	370 °C	-

## Boiler Tapping Measurements

Add In Boiler Tapping Measurements.  
Rear view example shown. Not to scale.

## Optional Extras

Add-in Boiler - [AIB5]  
Arada Universal Stand - [STAND002]  
Floor Fixing Kit - [AFS1135]



A	B	C
236 mm	360 mm	391 mm