



Product Fiche

Supplier Name or Brand	Arada Ltd
Product Code	ECB4FPLUSn
Energy Efficiency Class	A+
Direct Heat Output	4.5 kW
Energy Efficiency Index	116.1
The useful energy efficiency at nominal heat output and at minimum load	86.3 %

Specific precautions that shall be taken when the local space heater is assembled, installed or maintained:
Product should be installed in accordance with local building regulations. Appliance will become very hot during use.

Dimensions

Width	355 mm
Height	535 mm
Depth	365 mm
Flue Diameter	102 mm
Height of stand	136 mm
Height of log store	336 mm
Total height on stand	671 mm
Total height on log store	871 mm
Height to centre of rear flue	436 mm
Depth from back to centre of top flue	94 mm
Ideal log length	240 mm

Features

Flexifuel	Yes
Stove body type	Freestanding
Suitable for Smoke Control Areas	No
Suitable for direct air connection	No
Suitable for non-combustible 12mm hearth	Yes
Max hearth Temperature	83.5 °C
Weight gross (packed kg)	47 Kg

Minimum Distance To Combustibles

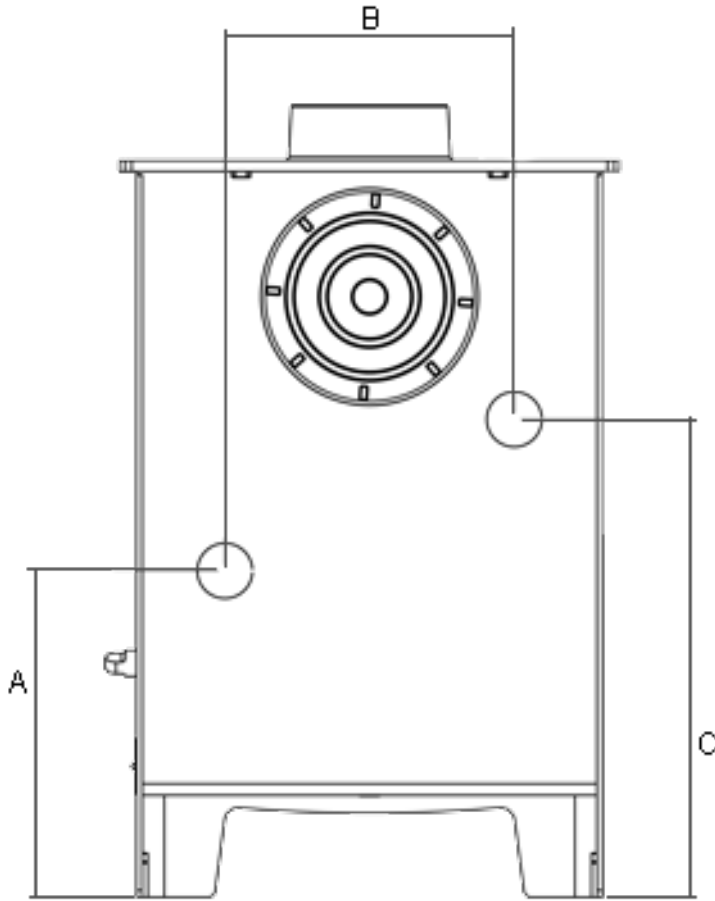
To Rear	To Side	Above
700 mm	500 mm	306 mm

Performance - Wood & Solid Fuel

	Wood Fuel	Smokeless Solid Fuel
Energy Efficiency Class	A+	
Nett Efficiency	86.3 %	%
Nominal Output	4.5 kW	4.5 kW
DIN+ particulate	Nmg/m3	Nmg/m3
Mean Co Emission(@13% O2)	0.39 %	%
Mean Co2 Emission(@13% O2)	%	%
Mean NOx Emission(@13% O2)	Nmg/m3	Nmg/m3
Mean OGC Emission(@13% O2)	Nmg/m3	Nmg/m3
Flue Gas Mass Flow	2.9 g/s	-
Flue Gas Temperature	187 °C	-

Boiler Tapping Measurements

Add In Boiler Tapping Measurements.
Rear view example shown. Not to scale.



A	B	C
237 mm	210 mm	347 mm

Optional Extras

Add-in Boiler - [AIB0]
Arada Universal Stand - [STAND001]
Floor Fixing Kit - [AFS1135]