



Product Fiche

Supplier Name or Brand	Arada Ltd
Product Code	HERON5M-S3sn
Energy Efficiency Class	A+
Direct Heat Output	4.9 kW
Energy Efficiency Index	108.3
The useful energy efficiency at nominal heat output and at minimum load	80.9 %

Specific precautions that shall be taken when the local space heater is assembled, installed or maintained:
Product should be installed in accordance with local building regulations. Appliance will become very hot during use.

Dimensions

Width	370 mm
Height	558 mm
Depth	355 mm
Flue Diameter	102 mm
Height of stand	200 mm
Total height on stand	758 mm
Height to centre of rear flue	465 mm
Depth from back to centre of top flue	74 mm
Ideal log length	225 mm

Features

Flexifuel	No
Stove body type	Freestanding
Suitable for Smoke Control Areas	No
Suitable for direct air connection	Yes
Suitable for non-combustible 12mm hearth	Yes
Max hearth Temperature	76.0 °C
Weight gross (packed kg)	51 Kg

Minimum Distance To Combustibles

To Rear	To Side	Above
650 mm	500 mm	306 mm

Performance - Wood & Solid Fuel

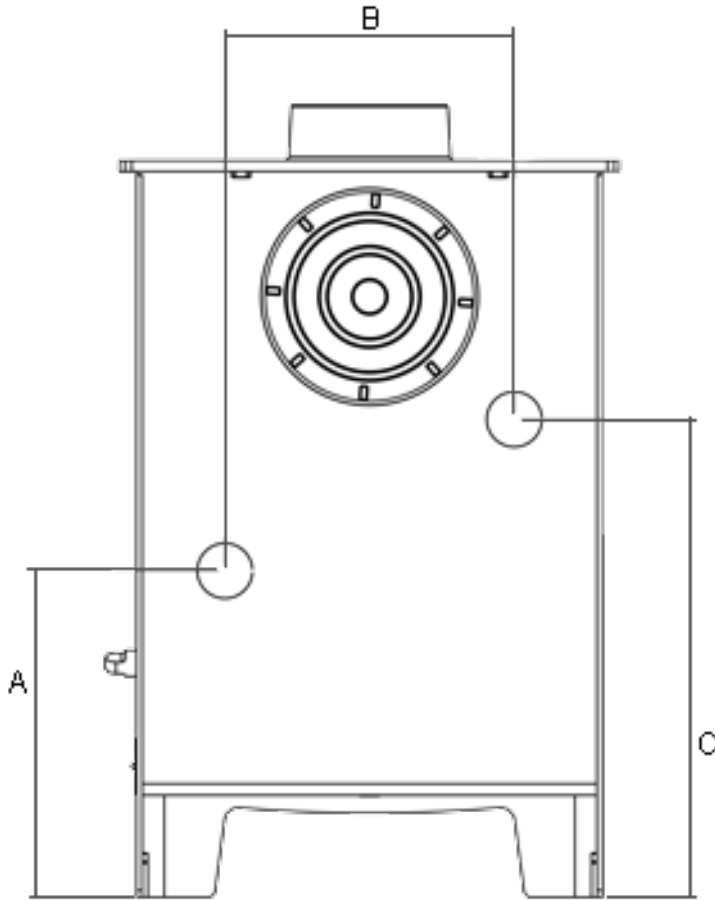
	Wood Fuel	Smokeless Solid Fuel
Energy Efficiency Class	A+	
Nett Efficiency	80.9 %	%
Nominal Output	4.9 kW	kW
DIN+ particulate	Nmg/m ³	Nmg/m ³
Mean Co Emission(@13% O ₂)	0.58 %	%
Mean Co ₂ Emission(@13% O ₂)	%	%
Mean NO _x Emission(@13% O ₂)	Nmg/m ³	Nmg/m ³
Mean OGC Emission(@13% O ₂)	Nmg/m ³	Nmg/m ³
Flue Gas Mass Flow	3.8 g/s	g/s
Flue Gas Temperature	279 °C	°C

Boiler Tapping Measurements

Add In Boiler Tapping Measurements.
Rear view example shown. Not to scale.

Optional Extras

Add-in Boiler - [AIB0]
Arada Universal Stand - [STAND001]
Universal Stand/Log Store - [STAND003]



A	B	C
262 mm	210 mm	372 mm