



Product Fiche

Supplier Name or Brand	Arada Ltd
Product Code	PUFFIN4M-S3sn
Energy Efficiency Class	A+
Direct Heat Output	4.2 kW
Energy Efficiency Index	112.9
The useful energy efficiency at nominal heat output and at minimum load	84.1 %

Specific precautions that shall be taken when the local space heater is assembled, installed or maintained:
Product should be installed in accordance with local building regulations. Appliance will become very hot during use.

Dimensions

Width	330 mm
Height	546 mm
Depth	355 mm
Flue Diameter	102 mm
Height of stand	200 mm
Total height on stand	746 mm
Height to centre of rear flue	453 mm
Depth from back to centre of top flue	94 mm
Ideal log length	225 mm

Minimum Distance To Combustibles

To Rear	To Side	Above
650 mm	500 mm	306 mm

Features

Flexifuel	No
Stove body type	Freestanding
Suitable for Smoke Control Areas	No
Suitable for direct air connection	Yes
Suitable for non-combustible 12mm hearth	Yes
Max hearth Temperature	38.4 °C
Weight gross (packed kg)	48 Kg

Performance - Wood & Solid Fuel

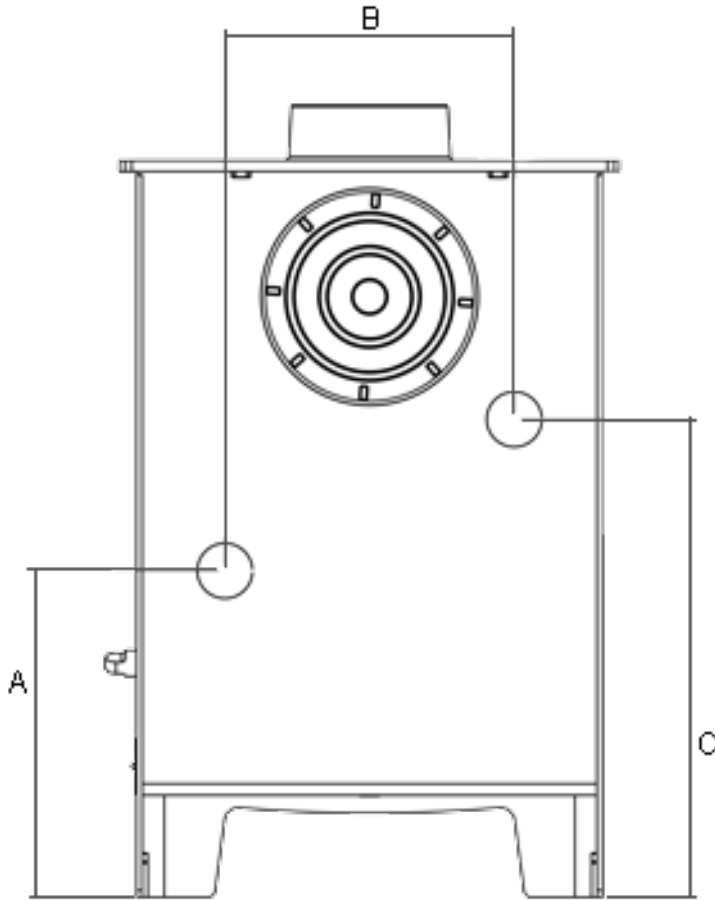
	Wood Fuel	Smokeless Solid Fuel
Energy Efficiency Class	A+	
Nett Efficiency	84.1 %	%
Nominal Output	4.2 kW	kW
DIN+ particulate	Nmg/m ³	Nmg/m ³
Mean Co Emission(@13% O ₂)	0.58 %	%
Mean Co ₂ Emission(@13% O ₂)	%	%
Mean NO _x Emission(@13% O ₂)	Nmg/m ³	Nmg/m ³
Mean OGC Emission(@13% O ₂)	Nmg/m ³	Nmg/m ³
Flue Gas Mass Flow	2.5 g/s	g/s
Flue Gas Temperature	199 °C	°C

Boiler Tapping Measurements

Add In Boiler Tapping Measurements.
Rear view example shown. Not to scale.

Optional Extras

Add-in Boiler - [AIB0]
Arada Universal Stand - [STAND001]
Universal Stand/Log Store - [STAND003]



A	B	C
252 mm	210 mm	362 mm