



Product Fiche

Supplier Name or Brand	Arada Ltd
Product Code	SOL7MCE-S2sn
Energy Efficiency Class	A
Direct Heat Output	6.1 kW
Energy Efficiency Index	95.5
The useful energy efficiency at nominal heat output and at minimum load	72.1 %

Specific precautions that shall be taken when the local space heater is assembled, installed or maintained:
Product should be installed in accordance with local building regulations. Appliance will become very hot during use.

Dimensions

Width	476 mm
Height	558 mm
Depth	386 mm
Flue Diameter	127 mm
Height of stand	100 mm
Total height on stand	658 mm
Height to centre of rear flue	449 mm
Depth from back to centre of top flue	109 mm
Ideal log length	300 mm

Features

Flexifuel	No
Stove body type	Freestanding
Suitable for Smoke Control Areas	No
Suitable for direct air connection	No
Suitable for non-combustible 12mm hearth	Yes
Max hearth Temperature	58.3 °C
Weight gross (packed kg)	68 Kg

Minimum Distance To Combustibles

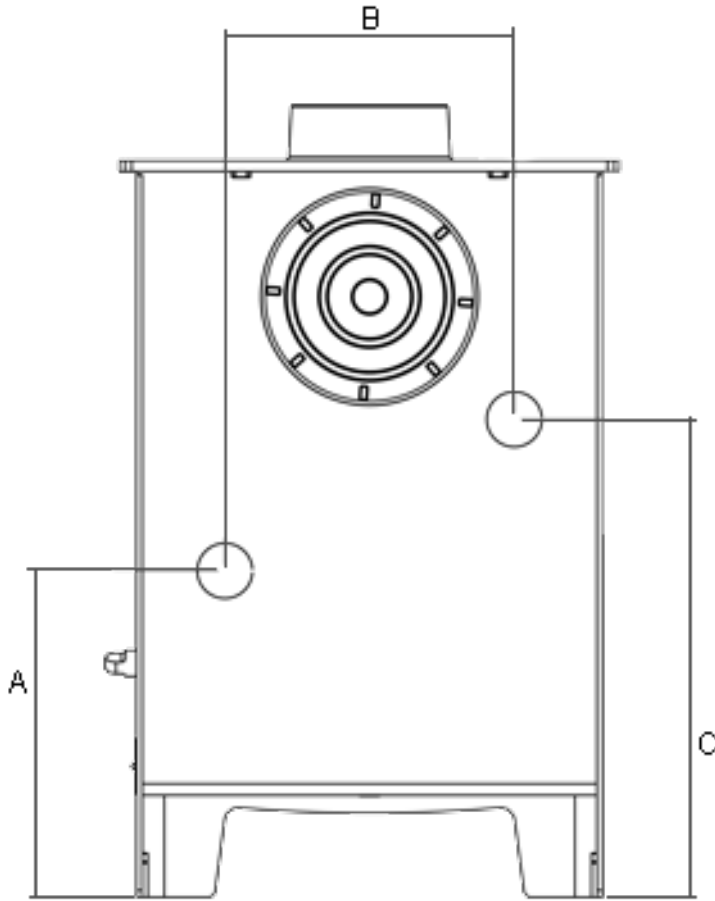
To Rear	To Side	Above
650 mm	450 mm	381 mm

Performance - Wood & Solid Fuel

	Wood Fuel	Smokeless Solid Fuel
Energy Efficiency Class	A	
Nett Efficiency	72.1 %	%
Nominal Output	6.1 kW	kW
DIN+ particulate	Nmg/m3	Nmg/m3
Mean Co Emission(@13% O2)	0.58 %	%
Mean Co2 Emission(@13% O2)	%	%
Mean NOx Emission(@13% O2)	Nmg/m3	Nmg/m3
Mean OGC Emission(@13% O2)	Nmg/m3	Nmg/m3
Flue Gas Mass Flow	4.9 g/s	g/s
Flue Gas Temperature	363 °C	°C

Boiler Tapping Measurements

Add In Boiler Tapping Measurements.
Rear view example shown. Not to scale.



A	B	C
245 mm	264 mm	336 mm

Optional Extras

- Add On High Canopy - [AOC SH]
- Add On Low Canopy - [AOC SL]
- Add-in Boiler - [AIB8]
- Arada Universal Stand - [STAND001]
- Floor Fixing Kit - [AFS1135]
- Universal Stand/Log Store - [STAND003]