



## Product Fiche

Supplier Name or Brand	Arada Ltd
Product Code	SOL9MCE-S2sn
Energy Efficiency Class	A
Direct Heat Output	8.8 kW
Energy Efficiency Index	94.8
The useful energy efficiency at nominal heat output and at minimum load	71.6 %

Specific precautions that shall be taken when the local space heater is assembled, installed or maintained:  
*Product should be installed in accordance with local building regulations. Appliance will become very hot during use.*

## Dimensions

Width	586 mm
Height	600 mm
Depth	396 mm
Flue Diameter	127 mm
Height of stand	100 mm
Total height on stand	700 mm
Height to centre of rear flue	485 mm
Depth from back to centre of top flue	103 mm
Ideal log length	457 mm

## Features

Flexifuel	No
Stove body type	Freestanding
Suitable for Smoke Control Areas	No
Suitable for direct air connection	No
Suitable for non-combustible 12mm hearth	Yes
Max hearth Temperature	63.6 °C
Weight gross (packed kg)	79 Kg

## Minimum Distance To Combustibles

To Rear	To Side	Above
750 mm	500 mm	381 mm

## Performance - Wood & Solid Fuel

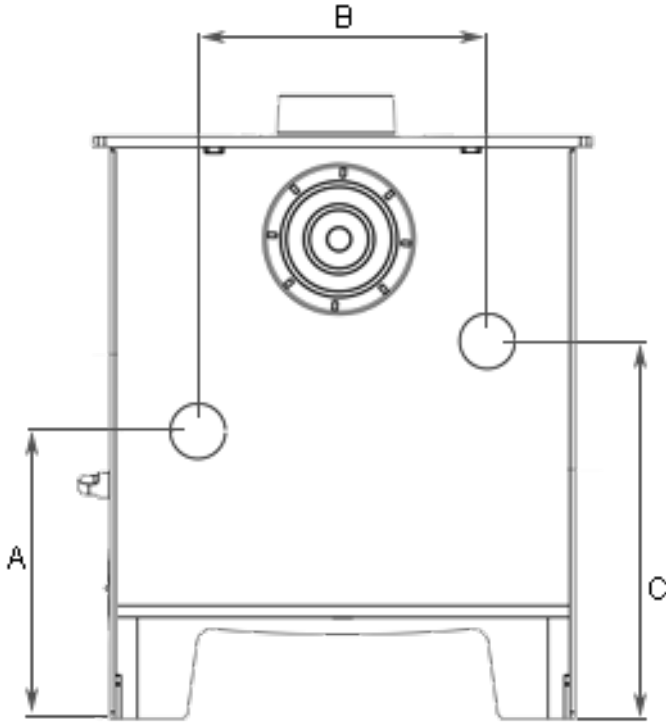
	Wood Fuel	Smokeless Solid Fuel
Energy Efficiency Class	A	
Nett Efficiency	71.6 %	%
Nominal Output	8.8 kW	kW
DIN+ particulate	Nmg/m3	Nmg/m3
Mean Co Emission(@13% O2)	0.68 %	%
Mean Co2 Emission(@13% O2)	%	%
Mean NOx Emission(@13% O2)	Nmg/m3	Nmg/m3
Mean OGC Emission(@13% O2)	Nmg/m3	Nmg/m3
Flue Gas Mass Flow	6.9 g/s	g/s
Flue Gas Temperature	364 °C	°C

## Boiler Tapping Measurements

Add In Boiler Tapping Measurements.  
Rear view example shown. Not to scale.

## Optional Extras

Add-in Boiler - [AIB9]  
Arada Universal Stand - [STAND001]  
Floor Fixing Kit - [AFS1135]  
Universal Stand/Log Store - [STAND003]



A	B	C
267 mm	369 mm	359 mm