



arada
— stoves —

**OPTIONAL
STAND & LOG STORE
FITTING GUIDE**

EN13240:2011 +A2:2004

BK 748 Rev 01

ISSUE DATE : 14/09/2020



OPTIONAL STAND & LOG STORE FITTING INSTRUCTIONS



Applicable Part Numbers — LOG-xxx
STAND-xxx

(NOTE : xxx—Model insignia)

Fitting Instructions :

Your stove is factory fitted with the standard foot assembly, however if it is so desired, this can be removed and an optional stand or log store can be fitted, so that the appliance height can be raised.



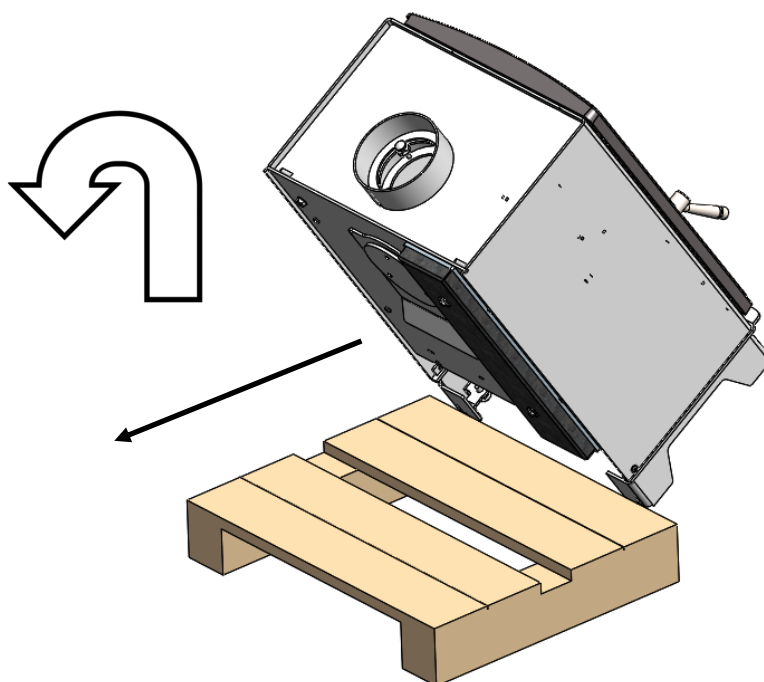
WARNING : Health and Safety

Please consult health and safety guidelines for advice on handling heavy and / or large items.

When lifting the appliance we recommend you always obtain assistance when handling.

STEP 1:

To remove the factory fitted feet assembly, it is suggested that the canopy assembly be removed to avoid damage. Carefully lower the stove onto its rear, taking care not to damage the rear air box and tertiary air inlet cover. We recommend lowering the stove onto the packing pallet, that it was delivered on, this can be seen below.



OPTIONAL STAND & LOG STORE FITTING INSTRUCTIONS

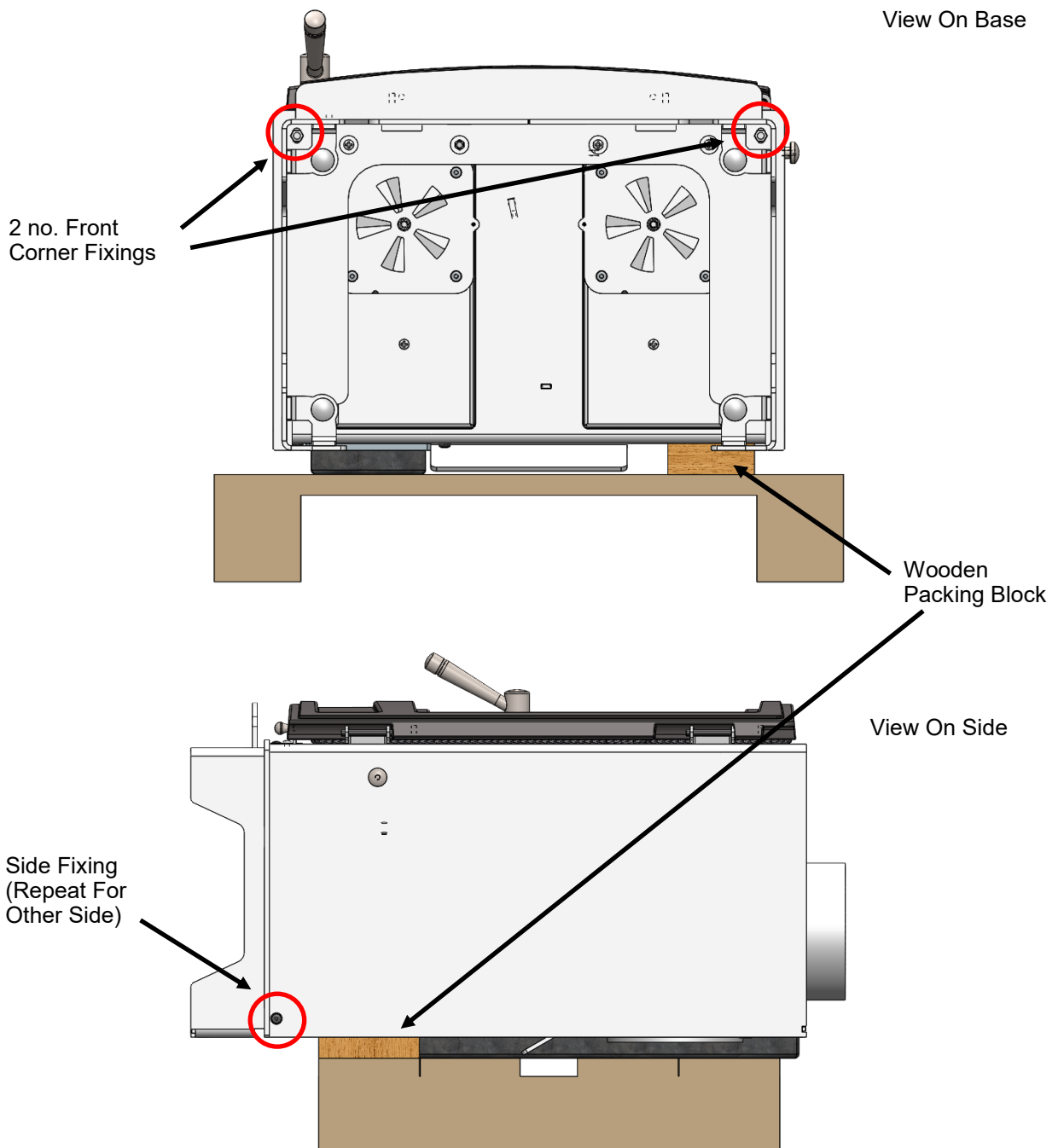


STEP 2:

With the stove safely resting on its back, place a wooden block or similar suitable object to prevent the appliance from rocking or moving, this can be seen in the image below. Ensure the appliance is secure before progressing onto step 3.

STEP 3:

Proceed to remove the 4 off fixings; 2 no. are located in either front corners and the remaining screws are located either side, at the rear of the stove. Remove the factory fitted feet assembly. Keep this item safe, for future use.

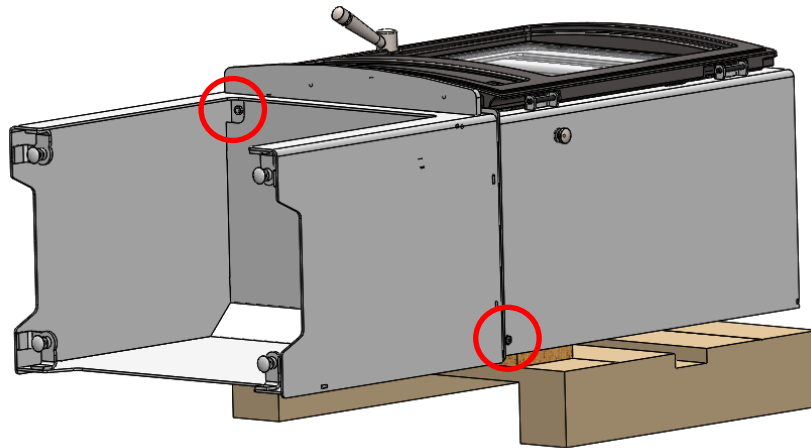


OPTIONAL STAND & LOG STORE FITTING INSTRUCTIONS



STEP 4:

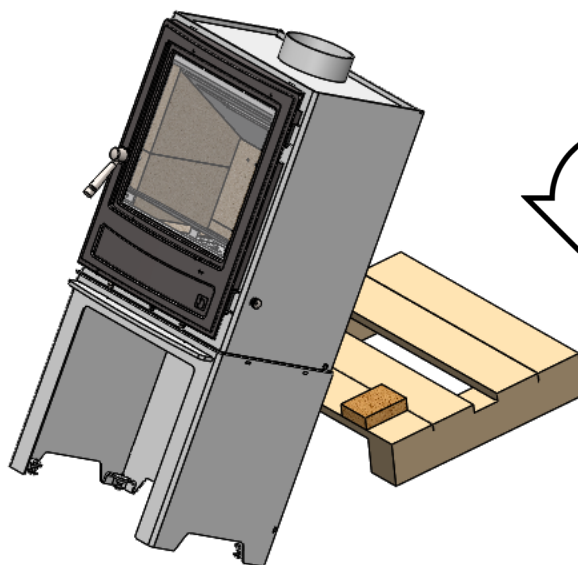
Position either the log store or stand assembly, against the appliance base. Affix the 4 off fixing screw, that were removed in step 3. Only hand tighten these fixings, otherwise damage to the threads may occur.



CAUTION : Only
Hand Tighten
Fixings

STEP 5:

Taking care, return the appliance to the upright position. Extra caution will be needed as the centre of gravity will have moved by fitting the new accessory.



CAUTION :
TAKE CARE
WHEN
LIFTING
UPRIGHT

Arada Ltd,
The Fireworks, Weycroft Avenue,
Axminster, Devon,
United Kingdom,
EX13 5HU
Technical Help : +44 (0)1297 632052