

---

## BK545

EN 13240:2001+

Amd. A2:2004

September 2013

Rev04



Please read carefully through this installation guide before proceeding with installation of the stove. Should you have any questions about our stoves that are not covered in this manual, please contact the Arada retailer in your area, or call our technical support department on 08448 567181 .

## WARNING

It is a legal requirement that the installation of all new or replacement, wood or solid fuel heating appliances must obtain Building Control approval from your local authority. This can be done by using a qualified heating engineer, affiliated to a government approved competent persons scheme such as operated by HETAS.

If in doubt, contact HETAS limited, telephone: 0845 634 5626 or visit [www.hetas.co.uk](http://www.hetas.co.uk)

**Arada Ltd will not be responsible for any consequential or incidental loss or injury however caused.**

## GENERAL PRECAUTIONS

All local regulations, including those referring to National and European standards, need to be complied with when installing the appliance.

Any manufacturer's instructions must not be taken as overriding statutory requirements.

Before any installation work is undertaken consideration must be given to the Health and Safety at Work Act 1974. Safe working practices should be followed at all times.

Please consult health and safety guidelines for advice on handling heavy and/or large items.

During installation ensure that adequate precautions are taken to avoid unnecessary risk to yourself or any householder. In particular the danger from the caustic nature of fire cement should be avoided by using these

accepted methods:

- Wear gloves when handling fire cement.
- Wear goggles when chiselling or looking up chimneys.

## HEARTH

The stove should be installed on a floor with adequate load bearing capacity. If the existing construction does not meet this prerequisite, suitable measures (e.g. load distributing plate) should be taken to achieve it.

Ideally, the appliance should stand on a constructional hearth of non-combustible materials not less than 125mm (5") thick conforming to Building Regulations.

## INTRODUCTION

Dimensions of the hearth should project at least 225mm (9") forward of the front of the appliance and 150mm (6") at the sides. The surface of the hearth should be free of combustible materials.

Certain stoves manufactured by Arada are suitable for installation on a non-combustible 12mm hearth such as glass. Please consult the technical table found at the rear of the User Guide for a list of suitable models.

### COMBUSTIBLE MATERIALS

Please view the technical data table in the rear of the User Guide and observe the minimum distance to combustible materials, which is applicable to your stove model.

Ideally, adjacent walls should be of suitable non-combustible construction, preferably brickwork. In large fireplaces take care that any supporting beam is protected by a 13mm (0.5") sheet of Masterboard or Superlux spaced 12mm (0.5") off the surface with strips of non-combustible material. Make sure that there is a gap between an un-insulated flue system and any combustible material. This gap must be at least 3X the outside diameter of the flue pipe, or 1.5X the flue diameter to non combustible surfaces.

### AIR FOR COMBUSTION

All stoves require ventilation to burn safely and correctly. There are requirements that need to be met when installing a stove, such as allowing for the permeability of the house (air permeability is the general seepage of air into the house via air vents, doors and windows etc.) .

There must always be a permanent means of providing air for combustion into the room in which the stove is installed.

For guidelines on required ventilation sizes please refer to the 'HETAS Guide' which can be found on HETAS' website.

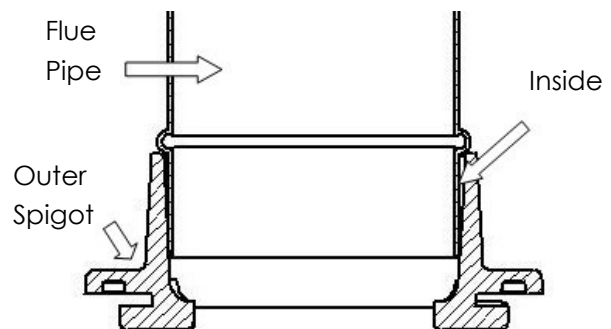
The positioning of any air vent must be so that it cannot be liable to blockage or obstruction.

The fitting of an extractor fan in the same room as the stove, or an adjacent room is not permitted.

### FITTING THE FLUE OUTLET AND HOT PLATE

The flue outlet spigot is found packed inside the appliance. The hot plate is supplied fitted to the top opening and is removed by turning clockwise.

Smear a very thin layer of fire cement on the mating faces of the flue outlet and the hot plate. Fit the outlet to the appliance in the desired position.



Lock into place by rotating anti-clockwise and tighten by tapping with a block of wood and mallet from inside of the appliance. Similarly, fit the hot plate (blanking plate) to the unused opening and clean off any surplus fire cement.

## INSTALLATION

---

**Note:** The flue pipe must be fitted inside the outlet spigot. Failure to do so could result in the spillage of condensation running down the flue.

### SEALING OF TERMINALS

If an add in boiler is not to be fitted, please ensure that the two partially cut circular terminals (located on the rear of the appliance) are sealed with fire cement, thus preventing surplus air entering the firebox, resulting in lower efficiency and poor fuel consumption.

### SEALING THE BACK AND BASE OF INSET STOVES TO A FIRE SURROUND

In order for the stove to operate correctly and at maximum efficiency it is necessary to achieve a good seal between the back face of the stove convector section, the stove back base sections and the decorative fire surround and hearth.

This should be achieved using fire cement. Any void surrounding an inset stove when installed should be filled with fire cement in the interest of safety and efficacy.

### FIXING 5KW INSET STOVES TO THE CHAIR BRICK

All the Inset 5 stoves are supplied with masonry fixing bolts to secure the stove to the chair brick if required. To do this it is necessary to remove the 'knock-out' hole plugs in the rear of the stove behind the tertiary air bar.

### ADJUSTING THE SELF LEVELLING FEET IF APPLICABLE

Adjustment is as follows:

- Position the stove on the hearth into its final resting place.
- On the rear leg of the stove, loosen the pozi screw, and rotate the inner 'cam' shaped levelling foot until this touches the hearth.
- Re-tighten the pozi screw. Check the stove is level with a spirit level.
- Repeat for the other rear leg.

### FIREBOX LINER PANELS

Most Arada stoves use firebox liner panels to the sides and back. Some Villager wood burners also have firebox liners in the base of the stove. For detailed fitting instructions for Villager stoves please refer to [www.aradastoves.com/support](http://www.aradastoves.com/support).

For the majority of Arada stoves, the throat plate sits on top of the side and rear panels. These should come fitted to your stove, if however they are not, proceed as follows to fit them:

- Remove the fuel retainer.
- Set the small liner(s) into the back of the firebox.
- Insert the side liner panels.
- Fit the throat plate with the single bend and two cut outs to the front facing up. The projecting lugs sit on top of the side liners. The long centre tab on the back edge rests on the rear liners.
- Replace the fuel retainer.

### GRATE BARS

In a multi fuel stove the grate comprises of a series of cast iron grate bars, seated on a pair of combs. All bars in the grate are identical.

In stoves which feature a riddling grate system the bars should be seated with every other bar rotated 180 degrees, so the ends marked 'H' and 'L' alternate on each comb.

In stoves with non-riddling grate systems the grate is assembled with the ends of the bars marked 'H' sitting on the front comb, and the ends marked 'L' sitting on the rear comb.

### FLUES AND CHIMNEYS

The flue draw is critical on any installation and should be checked to ensure that it matches what is specified. If it is higher than recommended, provisions must be made to correct the over draw.

The draw can vary in different weather conditions and the customer should be made aware of this. Failure to correct an over drawing flue will invalidate the warranty.

The stove must be connected to a suitable and efficient flue so that products of combustion (fumes) from the stove are expelled to the outside air. To ensure a good up draught it is important that the flue gases are kept warm and that the flue size suits the stove. The termination of the outlet at the top of the flue also needs to comply with Building Regulations. The minimum effective height of the flue must be at least 4.5 metres from the top of the stove to the top of the flue outlet. When warm the flue draught should be between 0.1 to 0.2 mb.

A chimney may comply with regulations but could still be subject to down draught and

similar problems. A chimney terminating above the ridge level is generally less likely to suffer such problems.

If a new chimney is being built / installed it should fully comply with the relevant Building Regulations that specify the requirements for solid fuel burning installations.

The flue and chimney installation must be carefully checked by a competent person before fitting the stove to ensure it is suitable and will work safely.

If the chimney is old (i.e. built of brick or stone without a liner) or being opened up for reuse additional checks and smoke testing as described in Appendix E of the Approved Document J 2002 Edition should also be carried out to ensure the flue and chimney are in good operating condition.

Check the existing flue is in good condition with suitable access for collection and removal of debris. If a flexible flue liner is required this must have an internal diameter of no less than 6" / 150mm. This should be a double skin stainless steel flexible liner that is independently certified for use with solid fuel.

Details of suitable linings for use with wood and solid fuel are given in the official HETAS guide that can be viewed on their website at [www.hetas.co.uk](http://www.hetas.co.uk).

It is also important that suitable flue pipe complying with the Building Regulations is used to connect the stove to the flue in the chimney and that suitable access is provided into the flue for regular inspection and sweeping of the flue ways, other than through the appliance (e.g. wherever possible a soot door or access through register plate).

## INSTALLATION

---

Chimneys should be as straight as possible. Horizontal runs should be avoided except where the rear outlet of the appliance is used, in which case the horizontal section should not exceed 150mm (6") in length.

If the stove appears to be working hard but produces very little output to the room it is likely that excess draw is present in the chimney, and that heat is being sucked out of the appliance and up the chimney. If this is the case we recommend the fitting of a draught stabiliser in preference to a flue damper, in the interest of safety and efficiency.

The installer should comply with Building Regulations requirements in respect of providing a Notice Plate giving details on the chimney, flue lining, hearth and fireplace installation.

## FINAL CHECK LIST

Before handing over the installation to the customer it is a requirement under Document J (of the Building Regulations for England & Wales) that the appliance is lit and the functioning of the chimney system is checked for satisfactory operation.

- Be sure that the chimney is operating and all smoke and fumes are vented to the atmosphere through the chimney terminal.
- Check all joints and seals.
- Clean the outside of the appliance to prevent any stains becoming burnt on.
- Check the flue draught which should read 1 - 2mm, or 0.1 - 0.2 mbar.
- For a registered competent persons scheme, such as HETAS, please complete a Certificate of Compliance, which is used for checking and reporting the installation as imposed by the Government.
- Explain the controls and operation of the appliance to the customer.
- Ensure a Carbon Monoxide alarm is fitted. This must be between 1m to 3m of the appliance, and approximately 150mm below the ceiling level.
- A fireguard conforming to BS 8423:2002 should be used in the presence of children and old or infirm people.





Arada Ltd  
The Fireworks  
Weycroft Avenue  
Axminster  
Devon  
EX13 5HU

Telephone: +44 (0)1297 35700

Technical Helpline: +44 (0)8448 475107

**Please Note:** Arada has a policy of continuous product development and therefore we reserve the right to amend specifications without prior notice.

Due to printing cycles, items, options or information may be offered prematurely or now be obsolete, please check with your retailer or dealer.