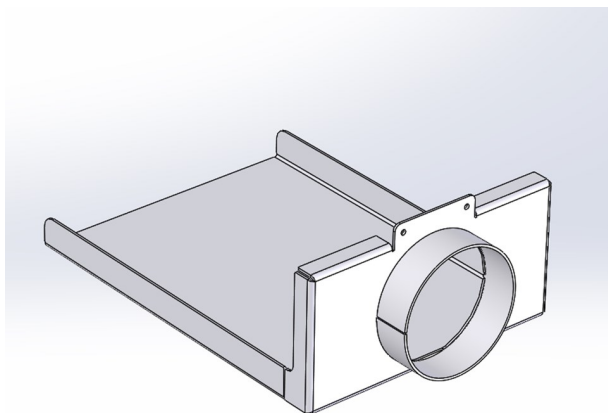


## Direct Air Kit Fitting Instructions (AFS4030)

**PLEASE RETAIN THIS GUIDE FOR FUTURE REFERENCE**



### Direct air kit for iSeries (i400-SCE, i500-SCE, i600-SCE or i750-SCE) stoves

The External Air Kit is intended for use with the Arada range of DEFRA exempt **Smoke Control** stoves only.

The fitting of the external air kit allows the stove to be installed in a room that may otherwise be sealed to the extent that would prohibit the correct and safe burning of a wood stove. This may also apply to houses in general sealed to a very high level to meet various energy efficiency targets.

The air duct is fitted onto the stove around the air inlet control and is fed from the supply tube on the rear face of the duct assembly.

The inlet tube is designed to accept a flexible metal air duct pipe with an external diameter of up to 72mm. The flexible piping should be taken directly to an external wall, avoiding sharp bends of excessive direction

changes. The piping should be terminated at the wall and be fitted with a suitable grill to prevent blockages by leaves and other debris.

Avoid fitting the air inlet pipe through a wall that may be unduly effected by prevailing winds that may cause a suction on the pipe bringing combustion products back down the flue.

### FITTING

In order to fit the **Direct Air Kit** the stove should be emptied and disconnected from the flue. This may require the assistance of at least one person as well as the fitter to avoid the risk of injury.

1. Once you have access to the rear side of the stove, remove the four screws from the plate (Fig 1) at the bottom edge.
2. Align the kit assembly with the two tapped holes on the assembly and back face of the stove, push the assembly fully into the hole (Fig 2), then screw into place with the screws provided.
3. Once the assembly is fixed in place (Fig 3), the stove can be refitted.

