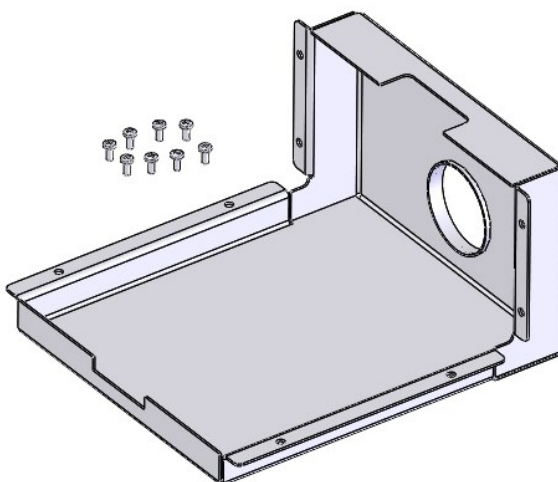


Direct Air Supply Kit Fitting Instructions (AFS1536)



Shown with the included 8 x M5 screws.

PLEASE RETAIN THIS GUIDE FOR FUTURE REFERENCE

Should you have any questions about our products that are not covered by this manual, please contact the Arada retailer in your area, or call our technical support department on +44 (0)8448 567181

These instructions should be read in conjunction with the Installation and User Guides supplied with your stove.

This accessory should only be fitted by a qualified heating engineer, such as a registered HEATS engineer.

When installing the air supply pipe work, care should be taken to ensure the installation is in compliance with all current Building Regulation

And particular attention should be paid to the choice of external wall to which the pipe work is taken to avoid issues associated with wind direction.

The External Air Kit is intended for use with the Arada range of DEFRA exempt **Smoke Control** stoves only.

The fitting of the external air kit allows the stove to be installed in a room that may otherwise be sealed to an extent that would prohibit the correct and safe burning of a wood stove. This may also apply to houses in general sealed to a very high level to meet various energy efficiency targets.

The air duct is fitted onto the stove around the air inlet control and is fed from the supply tube on the rear face of the duct assembly.

The inlet tube is designed to accept a flexible metal air duct pipe with an external diameter of up to 72mm. The flexible piping should be taken directly to an external wall, avoiding sharp bends or excessive direction changes. The piping should be terminated at the wall and be fitted with a suitable grill to prevent blockages by leaves and other debris.

Avoid fitting the air inlet pipe through a wall that may be unduly effected by prevailing winds that may cause a suction on the pipe bringing combustion products back down the flue.

FITTING

In order to fit the **Air Duct Assembly** the stove should be disconnected from the flue and empty and de-ashed as it will need to be laid over onto its side. This will require the assistance of at least one person as well as the fitter to avoid the risk of injury.

Fitting the Air duct is carried out as follows:

1. Remove all loose components inside (see main stove manual for details) and lay the stove onto its left or right side, lay onto a suitable surface such as an old piece of carpet etc. to avoid marking the body. See figure 1.
2. Align the duct assembly with the eight M5 tapped holes on the base and back face of the stove, and screw in place with the screws provided. See figures 2 and 3.
3. With all 8 mounting screws fitted the stove can be placed back on its feet and is ready for installation. See figure 4.

Figure 1

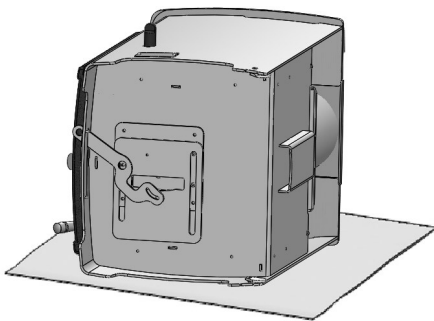


Figure 3

Secure in place with the eight M5 screws provided.

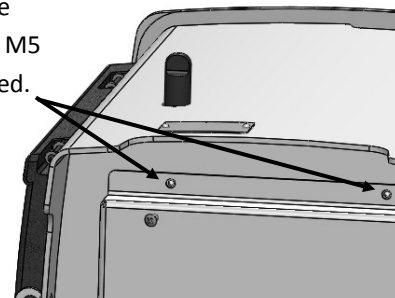
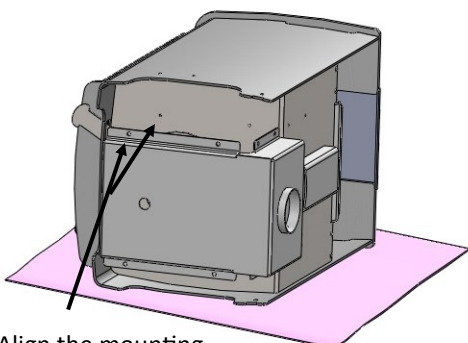
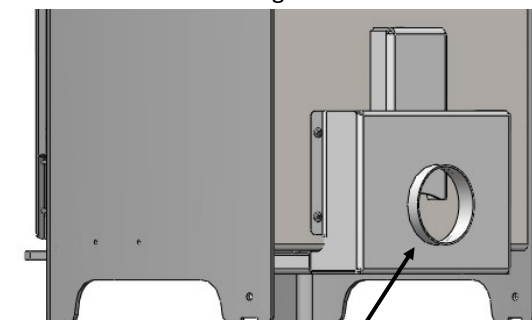


Figure 2



Align the mounting hole in the duct cover with the M5 threaded mounted holes in the stove body.

Figure 4



Air inlet connection tube
(Up to 72mm pipe accepted.)
