



**Solution (S5) Stove**

**Rear heat shield fitting guide**

**Optional accessory instructions**

---

EN13240:2011 +A2:2004

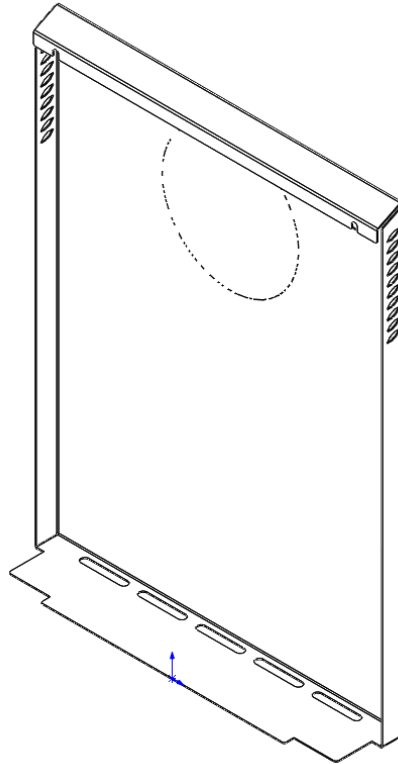
---

**BK790** Rev 01

ISSUE DATE : 15/10/2025



## 1. Contents Of Kit :



1 no. Heat Shield (Stainless Steel—Unpainted)

## 2. Warnings



**IMPORTANT**—Please ensure the appliance is cold and unlit before commencing fitting this accessory kit.

Please refer to the main instruction booklet, relevant to your stove, for guidance on the installation and operation of the appliance.

Arada Ltd will not be responsible for any consequential or incidental loss or injury however caused.

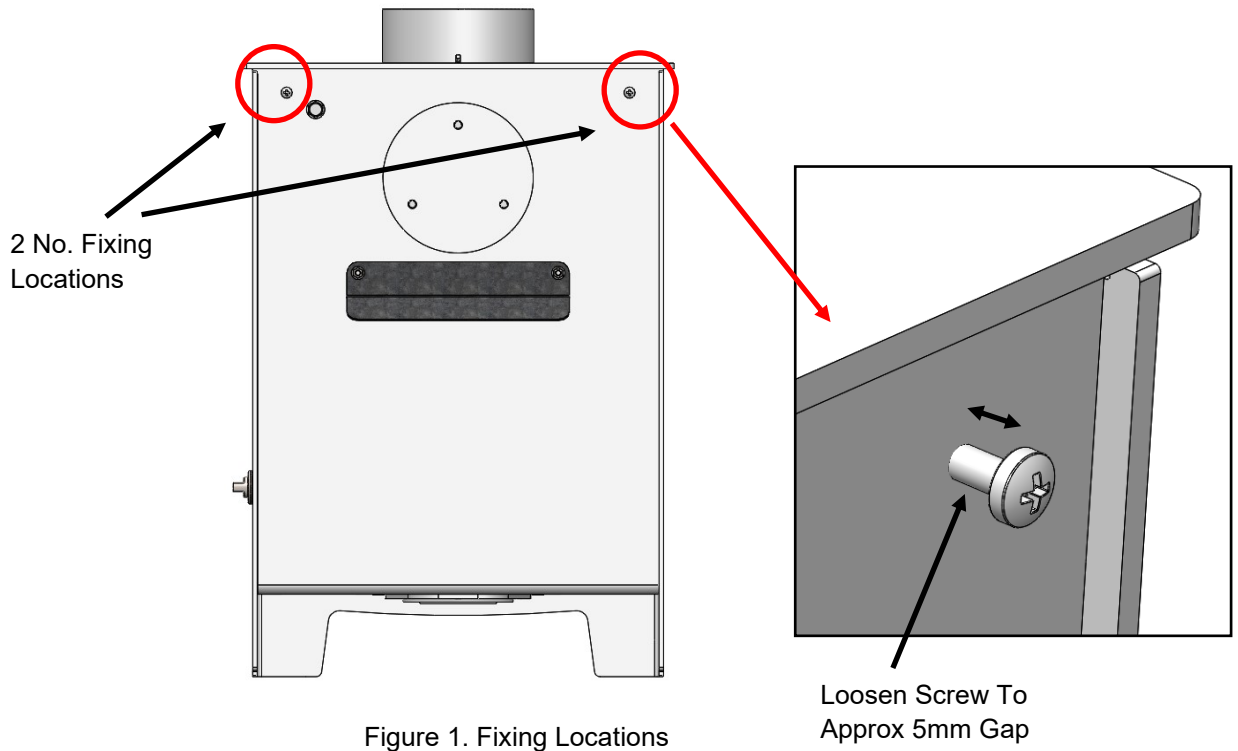
Please note, this accessory kit can only be fitted **prior** to the appliance (stove) being installed and connected to the flue system, within the property.

When handling the components of the kit, it is recommended to wear suitable gloves to prevent hand injuries.

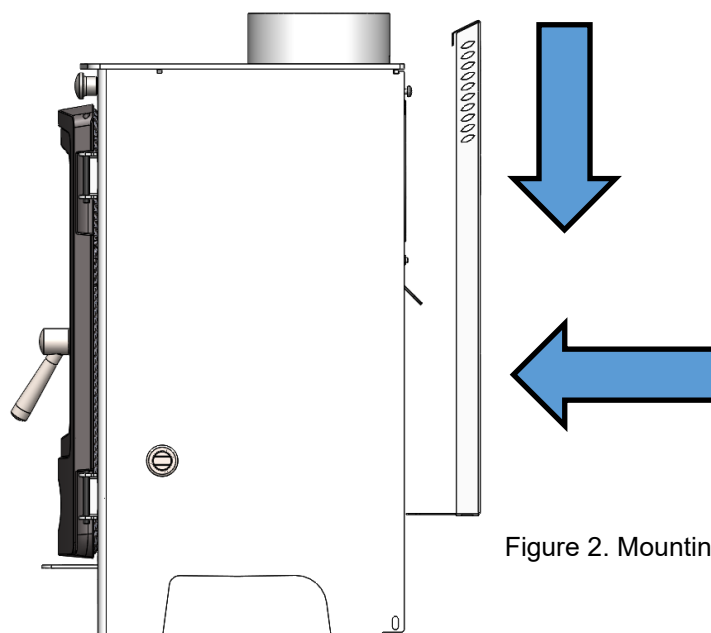
### 3. Fitting Procedure

Before starting this process, please ensure that the stove is cold and unlit

**Step 1 :** Working on the rear of the appliance, loosen the 2x screws (DO NOT REMOVE), as indicated in figure 1.



**Step 2 :** Lower & position the heat shield onto the 2no. protruding screws (See Fig. 2 & 3). If the stove installation requires a rear flue, the matching section of the shield can be knocked out.



**Step 3 :** Ensure that the heat shield is fully located onto the slot cut out within the heat shield (Both Sides - Left & Right).

**Step 4 :** Re-tighten the 2x mounting screws, via the circular cut out in the face of the heat shield. Use a screwdriver to tighten the screws. Thus clamping the heat shield to the rear of the appliance.

**Step 5 :** With the heat shield fitted (See Fig. 4.), please observe the revised distance to combustible materials, as stated in the instruction guide (BK 789).

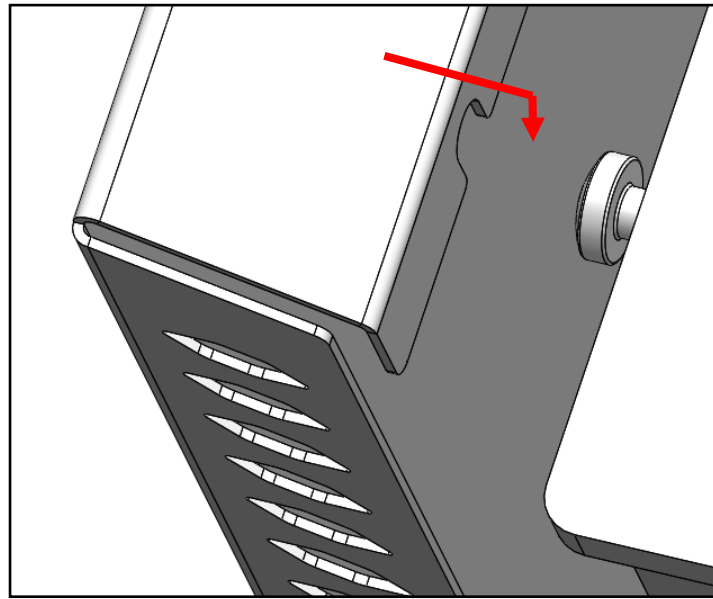


Figure 3. Heat Shield Location

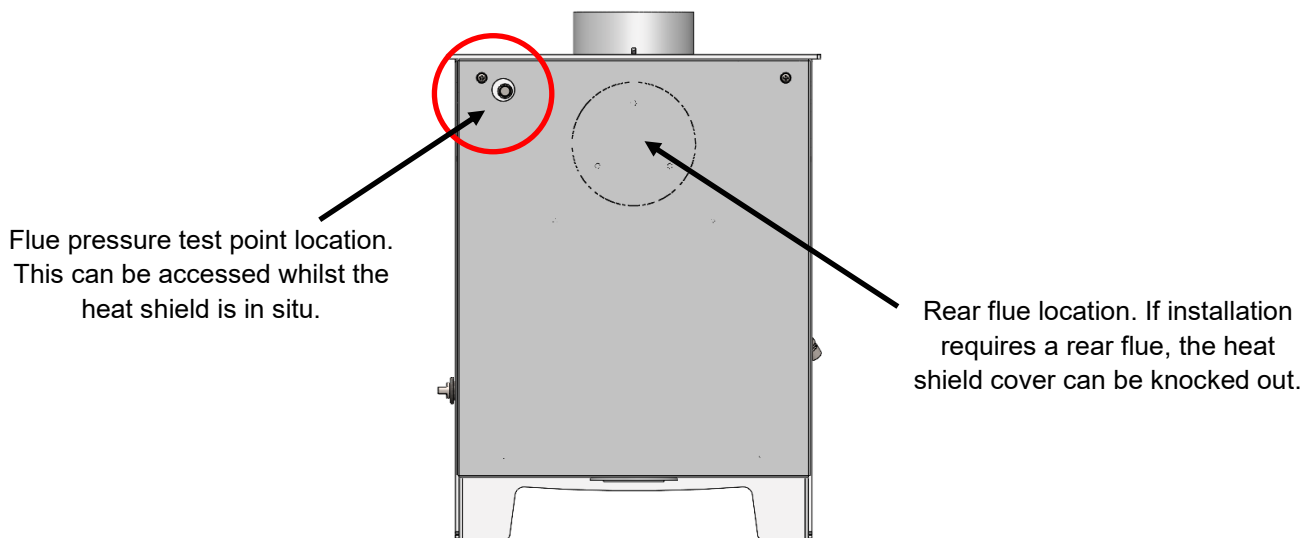


Figure 4. Rear Heat Shield Layout