



Solution (S5) Stand & Log Store

Fitting Guide

Optional accessory instruction

PLEASE RETAIN THIS GUIDE FOR FUTURE REFERENCE

EN13240:2011 +A2:2004

BK 792 Rev 01

ISSUE DATE : 19/05/2026



STAND & LOG STORE FITTING GUIDE



PLEASE NOTE : Image shows Solution 5 Compact S5, however procedure is the same regardless of appliance model & accessory type.

Applicable Part Numbers — **LOG-SOLxxx**
STAND-SOLxxx
(NOTE: xxx-Model insignia)

Applicable for the following appliances : **Solution S5 Freestanding models**



WARNING : HEALTH & SAFETY

Please ensure the appliance is cold and unlit before commencing fitting this accessory kit. Please refer to the main instruction booklet, relevant to your stove, for guidance on the installation and operation of the appliance.

Arada Ltd will not be responsible for any consequential or incidental loss or injury however caused. Please note, this accessory kit can only be fitted **prior** to the appliance (stove) being installed and connected to the flue system, within the property.

Please consult Health & Safety guidelines for advice on handling heavy and / or large items. When lifting, we recommend you always obtain assistance (2 Person Lift).

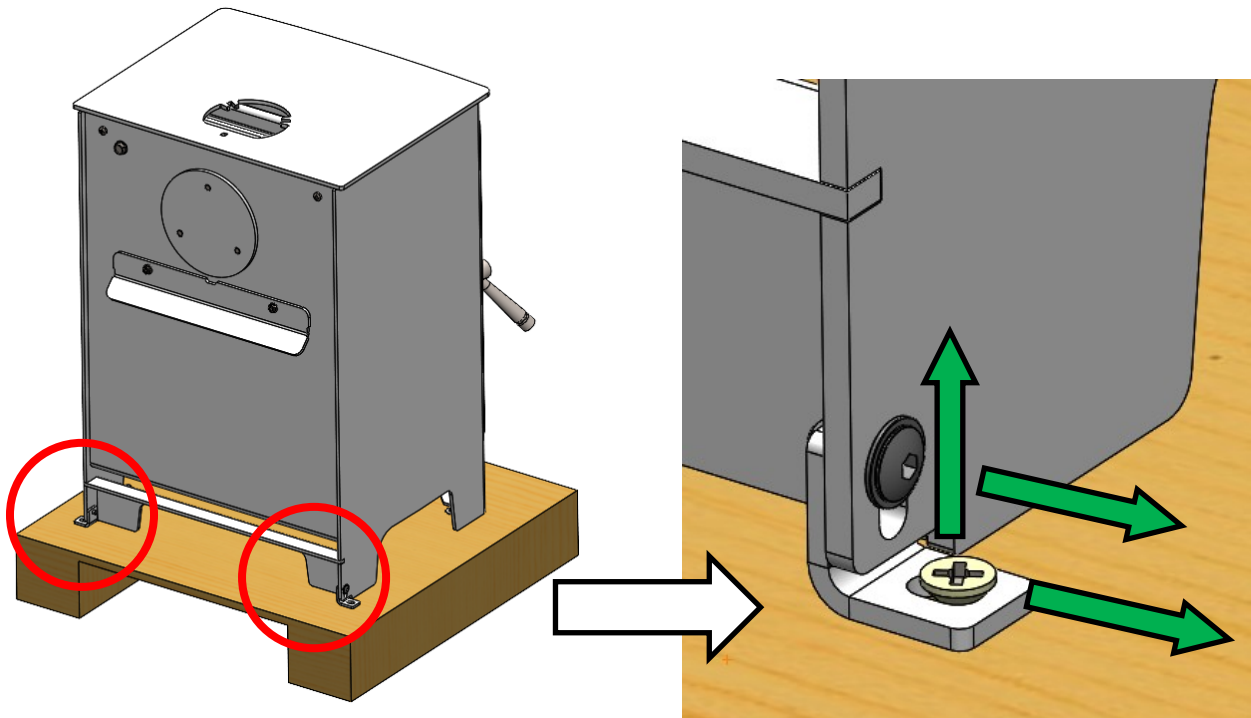
When handling the components of the kit, it is recommended to wear suitable gloves to prevent hand injuries.

Fitting Instructions :

STEP 1:

Remove all packaging from the stove and remove any loose internal components from the firebox area.

The stove is attached at the rear to the base pallet via the bolt down fixing bracket . Remove the fixing screws and the bolt down brackets on both side and retain for possible future use.



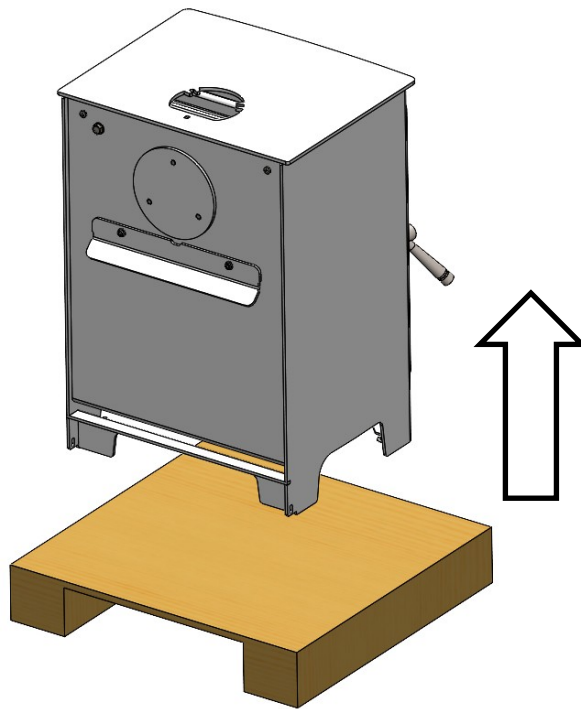
STAND & LOG STORE FITTING GUIDE

STEP 2:

A 2 person lift is required, so obtain assistance with a second person and carefully lift the stove from the base pallet and place close to installation area.



WARNING

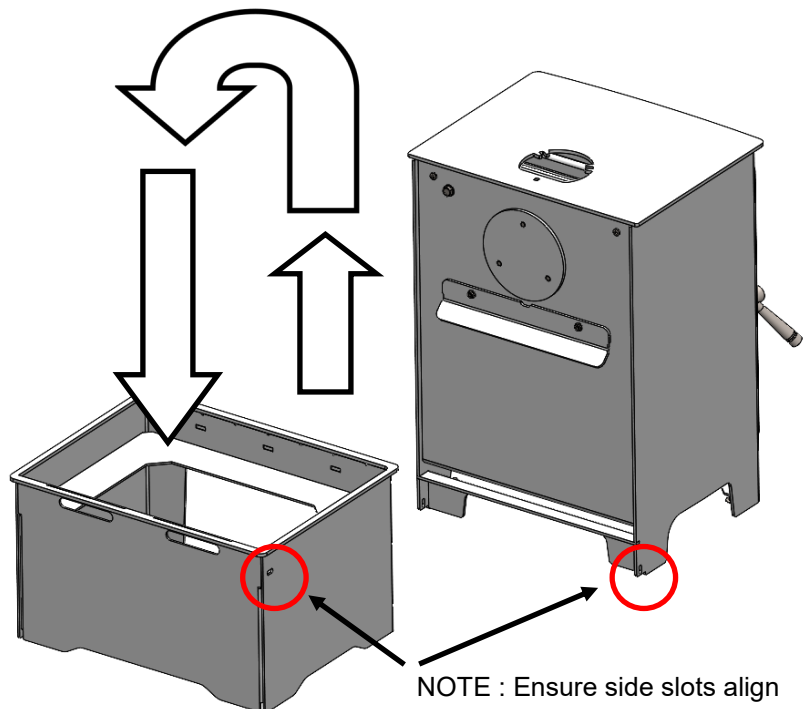


STEP 3:

Position the stand/log store behind the stove, again with a two person lift, carefully lift the stove into the recessed opening within the top of the stand/log store, taking care not to damage the paint work on the stove body. NOTE: The slots in each side of the stove body, align with slots in the stand/log store.



WARNING



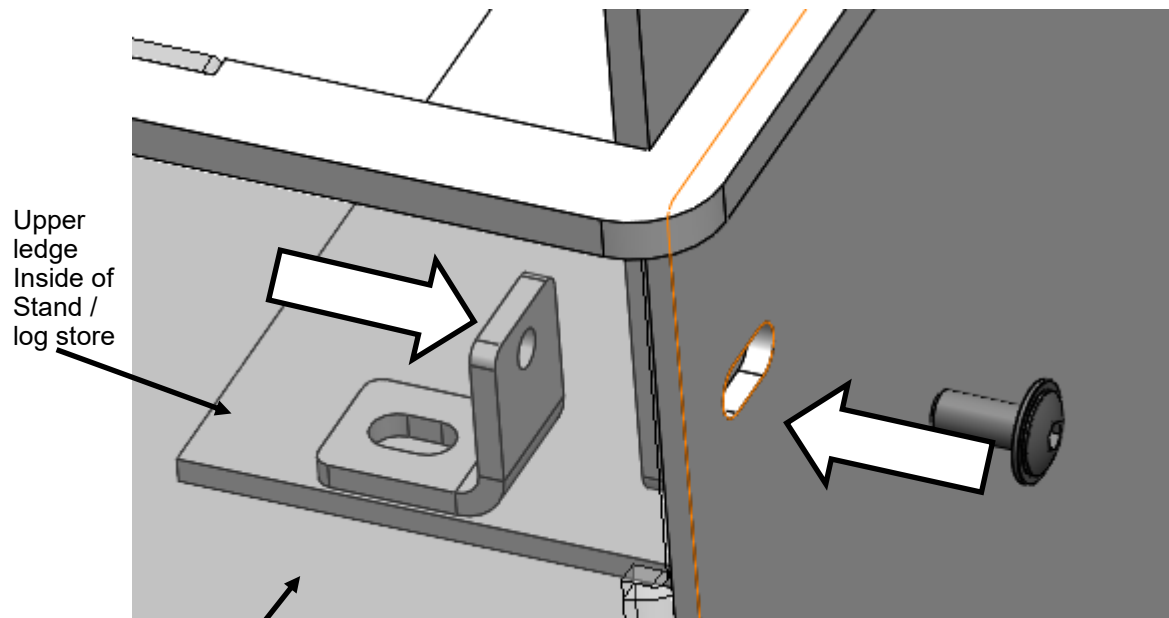
STAND & LOG STORE FITTING GUIDE

STEP 4:

From STEP 1, locate the bolt down bracket and the M5 fixing screw, place the bolt down bracket onto the upper ledge of the stand/log store, ensuring that the threaded hole aligns with the slot in the side of the accessory. From the outside of the assembly, fix the M5 screw through the body of the stand/log store into the threaded hole of the bolt down bracket, hand tighten.

Repeat for the other side.

NOTE: No fixings are required for the front of the stand/log store.



Rear panel of stand / log store - (HIDDEN FOR CLARITY)



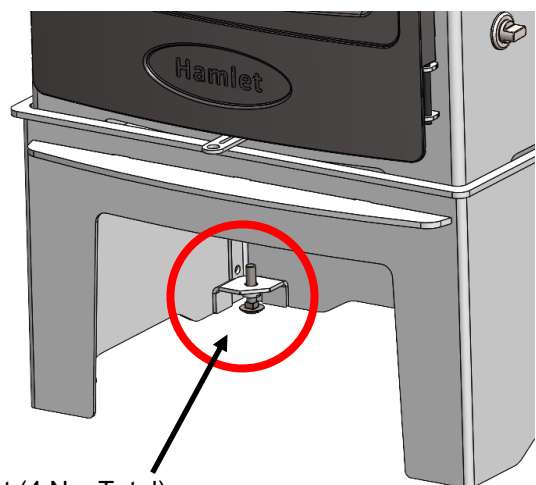
CAUTION:
Only tighten
fixings by
hand

STEP 5:

Taking care, 2 person lift the stove & stand/log store assembly into the final installation position. Final level adjustments can be made on the 4x pre-fitted, adjustment feet, located in all 4 corners of the stand/log store. (Use a 8mm open ended spanner).



WARNING



Adjustment foot (4 No. Total)

Arada Ltd, The Fireworks, Weycroft Avenue, Axminster, Devon, United Kingdom, EX13 5HU
Technical Help : +44 (0)1297 632052, www.aradastoves.com