



## Product Fiche

Supplier Name or Brand	Arada Ltd
Product Code	CHELSEASOLOM-S4
Energy Efficiency Class	A
Direct Heat Output	4.9 kW
Energy Efficiency Index	95.0
The useful energy efficiency at nominal heat output and at minimum load	71.7 %

Specific precautions that shall be taken when the local space heater is assembled, installed or maintained: *Product should be installed in accordance with local building regulations. Appliance will become very hot during use.*

## Features

Flexifuel	No
Stove body type	Freestanding
Suitable for Smoke Control Areas	No
Suitable for direct air connection	No
Suitable for non-combustible 12mm hearth	Yes
Max hearth Temperature	59.8 °C
Weight gross (packed kg)	62 Kg

## Performance - Wood & Solid Fuel

	Wood Fuel	Smokeless Solid Fuel
Energy Efficiency Class	A	
Nett Efficiency	71.7 %	%
Nominal Output	4.9 kW	kW
DIN+ particulate	Nmg/m3	Nmg/m3
Mean Co Emission(@13% O2)	0.35 %	%
Mean Co2 Emission(@13% O2)	%	%
Mean NOx Emission(@13% O2)	Nmg/m3	Nmg/m3
Mean OGC Emission(@13% O2)	Nmg/m3	Nmg/m3
Flue Gas Mass Flow	5.3 g/s	g/s
Flue Gas Temperature	341 °C	°C

## Dimensions

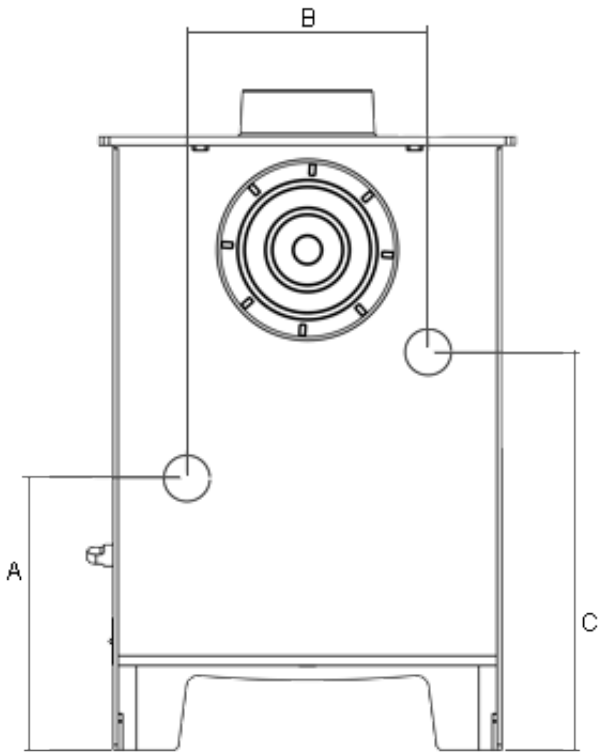
Width	457 mm
Height	495 mm
Depth	334 mm
Flue Diameter	127 mm
Height of stand	200 mm
Total height on stand	695 mm
Height to centre of rear flue	375 mm
Depth from back to centre of top flue	102 mm
Ideal log length	300 mm

## Minimum Distance To Combustibles

To Rear	To Side	Above
700 mm	500 mm	380 mm

## Boiler Tapping Measurements

Add In Boiler Tapping Measurements.  
Rear view example shown. Not to scale.



A	B	C
208 mm	252 mm	412 mm

## Optional Extras

Add On Canopy - High - [AOCV013]  
Add On Canopy - Low - [AOCV012]  
Add-in Boiler - [AIBV007]  
Arada Universal Stand - [STAND001]  
Universal Stand/Log Store - [STAND003]