



Product Fiche

Supplier Name or Brand	Arada Ltd
Product Code	EB12HE-G5
Energy Efficiency Class	A
Direct Heat Output	7.7 kW
Indirect Heat Output	12.1 kW
Energy Efficiency Index	88.0
The useful energy efficiency at nominal heat output and at minimum load	71.5 %

Specific precautions that shall be taken when the local space heater is assembled, installed or maintained: *Product should be installed in accordance with local building regulations. Appliance will become very hot during use.*

Features

Flexifuel	No
Stove body type	Freestanding
Suitable for Smoke Control Areas	No
Suitable for direct air connection	Yes
Suitable for non-combustible 12mm hearth	No
Max operating pressure	3 bar
Max hearth Temperature	94.4 °C
Weight gross (packed kg)	119 Kg

Dimensions

Width	533 mm
Height	603 mm
Depth	412 mm
Flue Diameter	127 mm
Height to centre of rear flue	442 mm
Depth from back to centre of top flue	149 mm
Ideal log length	350 mm

Performance - Wood & Solid Fuel

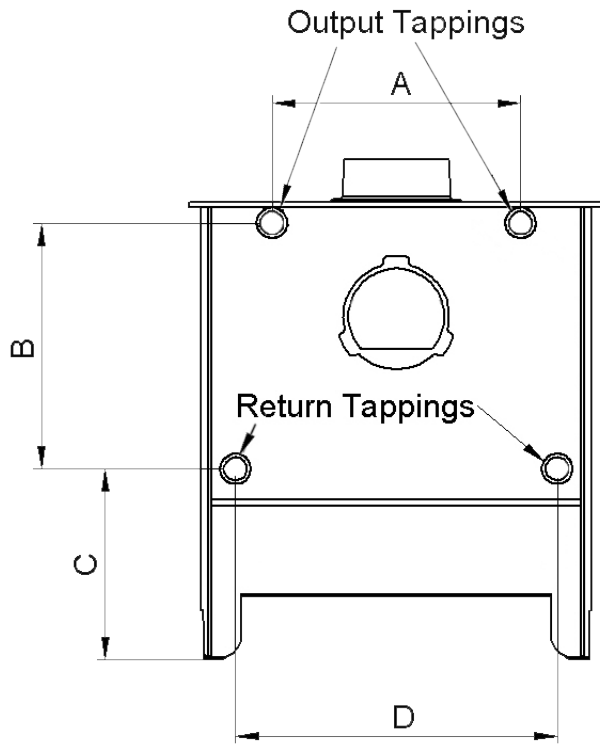
	Wood Fuel	Smokeless Solid Fuel
Energy Efficiency Class	A	A
Nett Efficiency	71.5 %	71.5 %
Nominal Output to Space	7.7 kW	7.7 kW
Nominal Output to Water	12.1 kW	12.1 kW
DIN+ particulate	Nmg/m3	Nmg/m3
Mean Co Emission(@13% O2)	0.31 %	0.31 %
Mean Co2 Emission(@13% O2)	%	%
Mean NOx Emission(@13% O2)	Nmg/m3	Nmg/m3
Mean OGC Emission(@13% O2)	Nmg/m3	Nmg/m3
Flue Gas Mass Flow	13.1 g/s	13.1 g/s
Flue Gas Temperature	403 °C	403 °C

Minimum Distance To Combustibles

To Rear	To Side	Above
150 mm	130 mm	381 mm

Boiler Tapping Measurements

Freestanding Boiler Tapping Measurements.
Rear view example shown. Not to scale.



A	B	C	D
326 mm	324 mm	252 mm	422 mm