



Product Fiche

Supplier Name or Brand	Arada Ltd
Product Code	EB12HE-INSET-G5
Energy Efficiency Class	A
Direct Heat Output	7.1 kW
Indirect Heat Output	11.6 kW
Energy Efficiency Index	90.2
The useful energy efficiency at nominal heat output and at minimum load	72.7 %

Specific precautions that shall be taken when the local space heater is assembled, installed or maintained: *Product should be installed in accordance with local building regulations. Appliance will become very hot during use.*

Features

Flexifuel	No
Stove body type	Inset
Suitable for Smoke Control Areas	No
Suitable for direct air connection	No
Suitable for non-combustible 12mm hearth	No
Max operating pressure	3 bar
Max hearth Temperature	189 °C
Weight gross (packed kg)	114 Kg

Dimensions

Width	548 mm
Height	590 mm
Depth	578 mm
Flue Diameter	127 mm
Depth into fireplace	353 mm
Width into fireplace	412 mm
Height into fireplace	532 mm
Depth from back to centre of top flue	110 mm
Depth of front fascia	179 mm
Ideal log length	305 mm

Performance - Wood & Solid Fuel

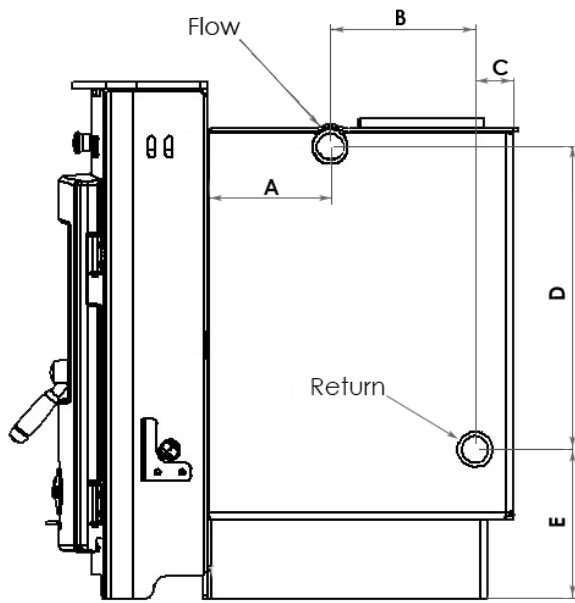
	Wood Fuel	Smokeless Solid Fuel
Energy Efficiency Class	A	A
Nett Efficiency	72.7 %	72.7 %
Nominal Output to Space	7.1 kW	7.1 kW
Nominal Output to Water	11.6 kW	11.6 kW
DIN+ particulate	Nmg/m3	Nmg/m3
Mean Co Emission(@13% O2)	0.57 %	0.57 %
Mean Co2 Emission(@13% O2)	%	%
Mean NOx Emission(@13% O2)	Nmg/m3	Nmg/m3
Mean OGC Emission(@13% O2)	Nmg/m3	Nmg/m3
Flue Gas Mass Flow	12.4 g/s	12.4 g/s
Flue Gas Temperature	392 °C	392 °C

Minimum Distance To Combustibles

To Side	Above
150 mm	75 mm

Boiler Tapping Measurements

Inset Boiler Tapping Measurements.
Side view example shown. Not to scale.



A	B	C	D	E
139 mm	165 mm	49 mm	345 mm	172 mm