



## Product Fiche

Supplier Name or Brand	Arada Ltd
Product Code	EB16HE-G5
Energy Efficiency Class	A
Direct Heat Output	9.5 kW
Indirect Heat Output	13.6 kW
Energy Efficiency Index	88.0
The useful energy efficiency at nominal heat output and at minimum load	70.5 %

Specific precautions that shall be taken when the local space heater is assembled, installed or maintained: *Product should be installed in accordance with local building regulations. Appliance will become very hot during use.*

## Features

Flexifuel	No
Stove body type	Freestanding
Suitable for Smoke Control Areas	No
Suitable for direct air connection	Yes
Suitable for non-combustible 12mm hearth	No
Max operating pressure	3 bar
Max hearth Temperature	128.2 °C
Weight gross (packed kg)	127 Kg

## Dimensions

Width	590 mm
Height	659 mm
Depth	402 mm
Flue Diameter	127 mm
Height to centre of rear flue	501 mm
Depth from back to centre of top flue	147 mm
Ideal log length	405 mm

## Performance - Wood & Solid Fuel

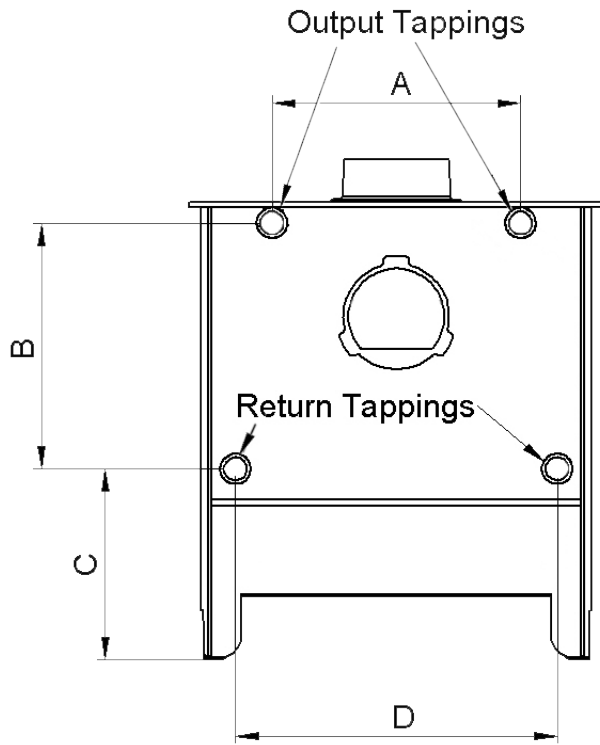
	Wood Fuel	Smokeless Solid Fuel
Energy Efficiency Class	A	A
Nett Efficiency	70.5 %	70.5 %
Nominal Output to Space	9.5 kW	9.5 kW
Nominal Output to Water	13.6 kW	13.6 kW
DIN+ particulate	Nmg/m3	Nmg/m3
Mean Co Emission(@13% O2)	0.81 %	0.81 %
Mean Co2 Emission(@13% O2)	%	%
Mean NOx Emission(@13% O2)	Nmg/m3	Nmg/m3
Mean OGC Emission(@13% O2)	Nmg/m3	Nmg/m3
Flue Gas Mass Flow	11.5 g/s	11.5 g/s
Flue Gas Temperature	516 °C	516 °C

## Minimum Distance To Combustibles

To Rear	To Side
175 mm	100 mm

## Boiler Tapping Measurements

Freestanding Boiler Tapping Measurements.  
Rear view example shown. Not to scale.



A	B	C	D
384 mm	361 mm	270 mm	481 mm