



## Product Fiche

Supplier Name or Brand	Arada Ltd
Product Code	EB16HE-INSET-G4
Energy Efficiency Class	Not applicable
Energy Efficiency Index	Not applicable
The useful energy efficiency at nominal heat output and at minimum load	71.5 %

Specific precautions that shall be taken when the local space heater is assembled, installed or maintained: *Product should be installed in accordance with local building regulations. Appliance will become very hot during use.*

## Features

Flexifuel	No
Stove body type	Inset
Suitable for Smoke Control Areas	No
Suitable for direct air connection	No
Suitable for non-combustible 12mm hearth	No
Max operating pressure	3 bar
Max hearth Temperature	284.3 °C
Weight gross (packed kg)	140 Kg

## Dimensions

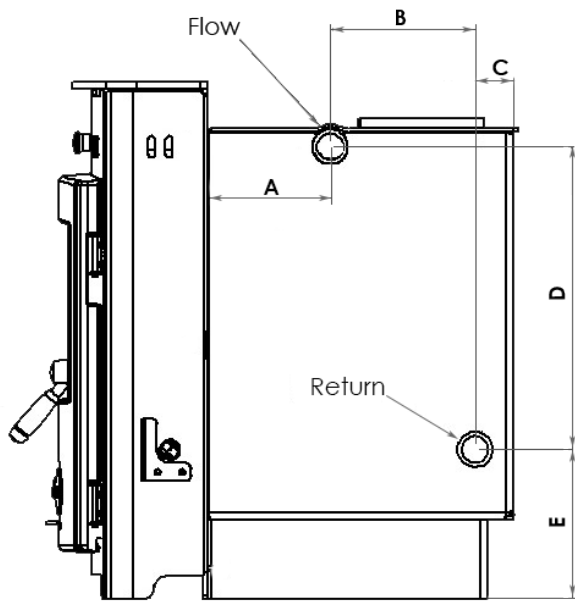
Width	626 mm
Height	636 mm
Depth	544 mm
Flue Diameter	127 mm
Depth into fireplace	357 mm
Width into fireplace	528 mm
Height into fireplace	543 mm
Depth from back to centre of top flue	122 mm
Depth of front fascia	177 mm
Ideal log length	405 mm

## Minimum Distance To Combustibles

To Side	Above
75 mm	100 mm

## Boiler Tapping Measurements

Inset Boiler Tapping Measurements.  
Side view example shown. Not to scale.



A	B	C	D	E
120 mm	177 mm	59 mm	355 mm	168 mm