



Product Fiche

Supplier Name or Brand	Arada Ltd
Product Code	EB16HE-INSET-G5
Energy Efficiency Class	A
Direct Heat Output	5.3 kW
Indirect Heat Output	16.1 kW
Energy Efficiency Index	88.0
The useful energy efficiency at nominal heat output and at minimum load	71.5%

Specific precautions that shall be taken when the local space heater is assembled, installed or maintained: *Product should be installed in accordance with local building regulations. Appliance will become very hot during use.*

Features

Flexifuel	No
Stove body type	Inset
Suitable for Smoke Control Areas	No
Suitable for direct air connection	No
Suitable for non-combustible 12mm hearth	No
Underhearth temperature	284.3 °C
Weight (packed kg)	140 Kg

Dimensions

Width	626 mm
Height	636 mm
Depth	544 mm
Flue Diameter	127 mm
Depth into fireplace	357 mm
Width into fireplace	528 mm
Height into fireplace	543 mm
Depth from back to centre of top flue	122 mm
Depth of front fascia	177 mm
Ideal log length	405 mm

Performance - Wood & Solid Fuel

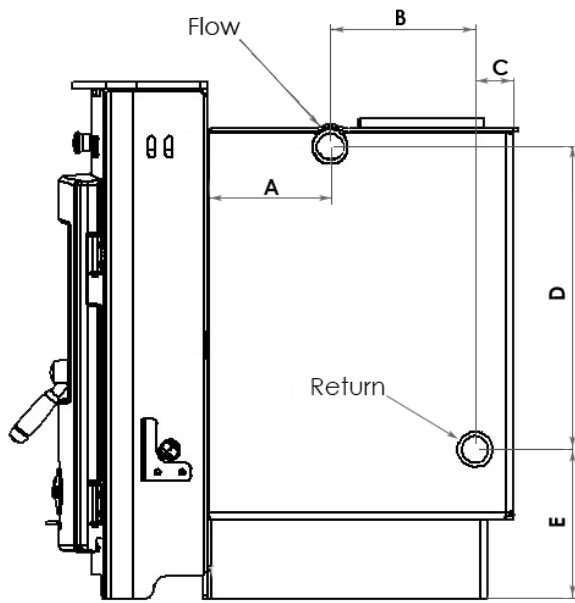
	Wood Fuel	Smokeless Solid Fuel
Energy Efficiency Class	A	A
Nett Efficiency	71.5 %	71.5 %
Nominal Output to Space	5.3 kW	5.3 kW
Nominal Output to Water	16.1 kW	16.1 kW
Mean Co Emission(@13% O2)	0.92 %	0.92 %
Flue Gas Mass Flow	10.7 g/s	10.7 g/s
Flue Gas Temperature	500 °C	500 °C

Minimum Distance To Combustibles

To Side	Above
75 mm	100 mm

Boiler Tapping Measurements

Inset Boiler Tapping Measurements.
Side view example shown. Not to scale.



A	B	C	D	E
120 mm	177 mm	59 mm	355 mm	168 mm