



## Product Fiche

Supplier Name or Brand	Arada Ltd
Product Code	EB25HE-G5
Energy Efficiency Class	E
Direct Heat Output	12.7 kW
Indirect Heat Output	22.5 kW
Energy Efficiency Index	67.16
The useful energy efficiency at nominal heat output and at minimum load	72.4 %

Specific precautions that shall be taken when the local space heater is assembled, installed or maintained: *Product should be installed in accordance with local building regulations. Appliance will become very hot during use.*

## Features

Flexifuel	No
Stove body type	Freestanding
Suitable for Smoke Control Areas	No
Suitable for direct air connection	Yes
Suitable for non-combustible 12mm hearth	No
Max operating pressure	3 bar
Max hearth Temperature	156.1 °C
Weight gross (packed kg)	195 Kg

## Dimensions

Width	678 mm
Height	725 mm
Depth	498 mm
Flue Diameter	152 mm
Height to centre of rear flue	565 mm
Depth from back to centre of top flue	152 mm
Ideal log length	450 mm

## Performance - Wood & Solid Fuel

	Wood Fuel	Smokeless Solid Fuel
Energy Efficiency Class	E	E
Nett Efficiency	72.4 %	72.4 %
Nominal Output to Space	12.7 kW	12.7 kW
Nominal Output to Water	22.5 kW	22.5 kW
DIN+ particulate	Nmg/m3	Nmg/m3
Mean Co Emission(@13% O2)	0.77 %	0.77 %
Mean Co2 Emission(@13% O2)	%	%
Mean NOx Emission(@13% O2)	Nmg/m3	Nmg/m3
Mean OGC Emission(@13% O2)	Nmg/m3	Nmg/m3
Flue Gas Mass Flow	18.9 g/s	18.9 g/s
Flue Gas Temperature	456 °C	456 °C

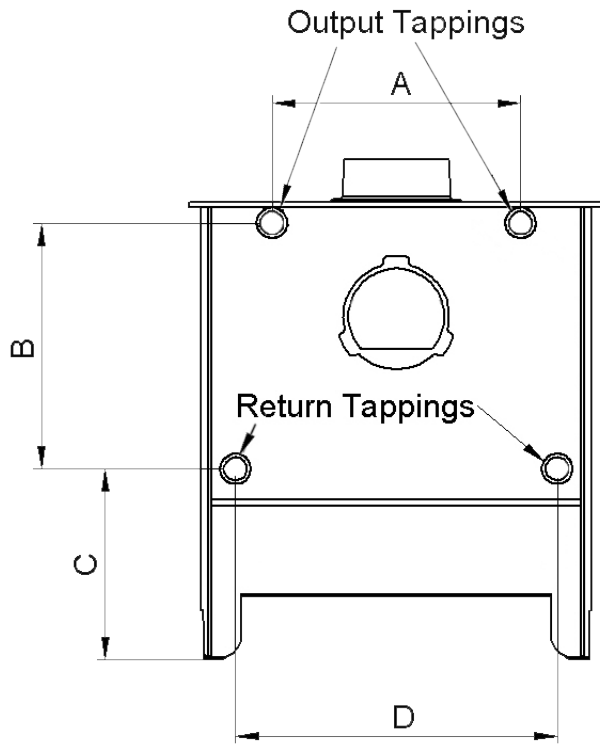
## Minimum Distance To Combustibles

To Rear	To Side	Above
200 mm	150 mm	456 mm

## Boiler Tapping Measurements

---

Freestanding Boiler Tapping Measurements.  
Rear view example shown. Not to scale.



A	B	C	D
390 mm	416 mm	280 mm	544 mm