



## Product Fiche

Supplier Name or Brand	Arada Ltd
Product Code	EBW12-G2
Energy Efficiency Class	A
Direct Heat Output	8.0 kW
Indirect Heat Output	11.8 kW
Energy Efficiency Index	97.4
The useful energy efficiency at nominal heat output and at minimum load	73.4 %

Specific precautions that shall be taken when the local space heater is assembled, installed or maintained: *Product should be installed in accordance with local building regulations. Appliance will become very hot during use.*

## Features

Flexifuel	No
Stove body type	Freestanding
Suitable for Smoke Control Areas	No
Suitable for direct air connection	Yes
Suitable for non-combustible 12mm hearth	No
Max operating pressure	3 bar
Max hearth Temperature	75 °C
Flue outlet	152
Weight nett (unpacked kg)	152 Kg

## Performance - Wood Fuel

Code	EBW12-G2
Energy Efficiency Class	A
Nett Efficiency	73.4 %
Nominal Output to Space	8.0 kW
Nominal Output to Water	11.8 kW
DIN+ particulate	Nmg/m3
Mean Co Emission(@13% O2)	0.30 %
Mean Co2 Emission(@13% O2)	%
Mean NOx Emission(@13% O2)	Nmg/m3
Mean OGC Emission(@13% O2)	Nmg/m3
Flue Gas Mass Flow	15.2 g/s
Flue Gas Temperature	372 °C

## Dimensions

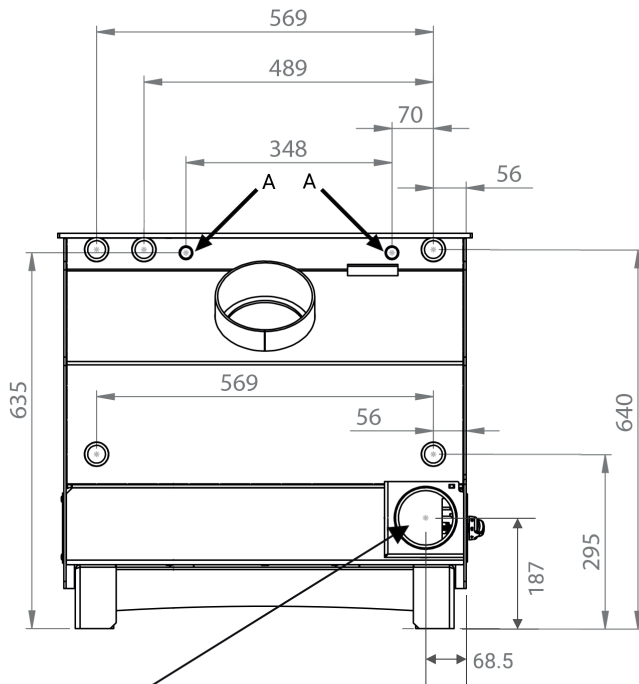
Width	700 mm
Height	668 mm
Depth	605 mm
Flue Diameter	152 mm
Depth from back to centre of top flue	90 mm
Ideal log length	500 mm

## Minimum Distance To Combustibles

To Rear	To Side	Above
220 mm	100 mm	456 mm

# Boiler Tapping Measurements

---



- Direct air inlet - 102mm diameter
- Outlets (A) - 22mm external diameter
- Other connections - 1inch BSP internal diameter

Connection point measurements shown in millimeters unless specified