



## Product Fiche

Supplier Name or Brand	Arada Ltd
Product Code	ECB5FPLUS-G2A
Energy Efficiency Class	Not applicable
Direct Heat Output	4.9 kW
Energy Efficiency Index	Not applicable
The useful energy efficiency at nominal heat output and at minimum load	74.7 %

Specific precautions that shall be taken when the local space heater is assembled, installed or maintained: *Product should be installed in accordance with local building regulations. Appliance will become very hot during use.*

## Features

Flexifuel	Yes
Stove body type	Freestanding
Suitable for Smoke Control Areas	No
Suitable for direct air connection	No
Suitable for non-combustible 12mm hearth	Yes
Max hearth Temperature	48.0 °C
Weight gross (packed kg)	57 Kg

## Dimensions

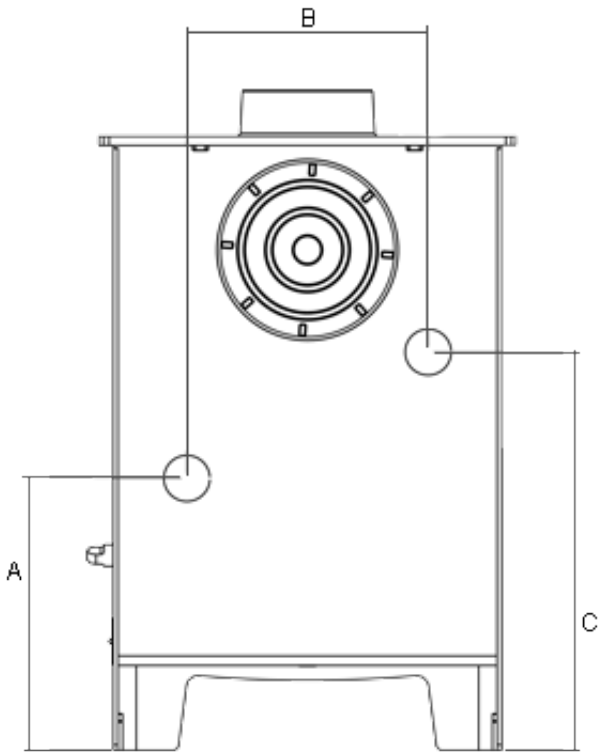
Width	431 mm
Height	550 mm
Depth	365 mm
Flue Diameter	127 mm
Height of stand	136 mm
Height of log store	336 mm
Height to centre of rear flue	451 mm
Depth from back to centre of top flue	94 mm
Ideal log length	300 mm

## Minimum Distance To Combustibles

To Rear	To Side	Above
625 mm	525 mm	381 mm

## Boiler Tapping Measurements

Add In Boiler Tapping Measurements.  
Rear view example shown. Not to scale.



A	B	C
265 mm	264 mm	357 mm

## Optional Extras

Add-in Boiler - [AIB8]  
Arada Universal Stand - [STAND001]  
Floor Fixing Kit - [AFS1135]