



Product Fiche

Supplier Name or Brand	Arada Ltd
Product Code	ECB5FPLUS-G2Bsn
Energy Efficiency Class	A+
Direct Heat Output	4.9 kW
Energy Efficiency Index	107.4
The useful energy efficiency at nominal heat output and at minimum load	80.3 %

Specific precautions that shall be taken when the local space heater is assembled, installed or maintained: *Product should be installed in accordance with local building regulations. Appliance will become very hot during use.*

Features

Flexifuel	Yes
Stove body type	Freestanding
Suitable for Smoke Control Areas	Yes
Suitable for direct air connection	No
Suitable for non-combustible 12mm hearth	Yes
Max hearth Temperature	51.4 °C
Weight gross (packed kg)	68 Kg
Weight nett (unpacked kg)	64 Kg

Dimensions

Width	431 mm
Height	550 mm
Depth	365 mm
Flue Diameter	127 mm
Height of stand	136 mm
Height of log store	386 mm
Total height on stand	686 mm
Total height on log store	936 mm
Height to centre of rear flue	431 mm
Depth from back to centre of top flue	102 mm
Ideal log length	300 mm

Performance - Wood & Solid Fuel

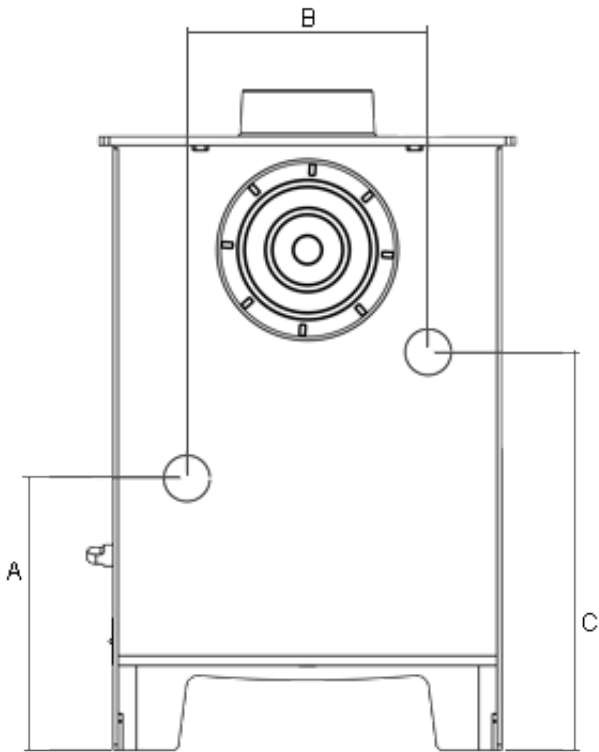
	Wood Fuel	Smokeless Solid Fuel
Energy Efficiency Class	A+	
Nett Efficiency	80.3 %	%
Nominal Output	4.9 kW	4.9 kW
DIN+ particulate	Nmg/m3	Nmg/m3
Mean Co Emission(@13% O2)	0.39 %	%
Mean Co2 Emission(@13% O2)	%	%
Mean NOx Emission(@13% O2)	Nmg/m3	Nmg/m3
Mean OGC Emission(@13% O2)	Nmg/m3	Nmg/m3
Flue Gas Mass Flow	4.4 g/s	-
Flue Gas Temperature	306 °C	-

Minimum Distance To Combustibles

To Rear	To Side	Above
375 mm	300 mm	381 mm

Boiler Tapping Measurements

Add In Boiler Tapping Measurements.
Rear view example shown. Not to scale.



A	B	C
255 mm	264 mm	347 mm

Optional Extras

5-6 Flue Increasing Adapter - [ADP56]

Add-in Boiler - [AIB8]

Spigot 5 Inch Complete With Damper Flap And Handle - [AFS151A]