



## Product Fiche

Supplier Name or Brand	Arada Ltd
Product Code	ECB9FPLUS-G2sn
Energy Efficiency Class	A
Direct Heat Output	8.8 kW
Energy Efficiency Index	94.8
The useful energy efficiency at nominal heat output and at minimum load	94.8 %

Specific precautions that shall be taken when the local space heater is assembled, installed or maintained: *Product should be installed in accordance with local building regulations. Appliance will become very hot during use.*

## Features

Flexifuel	Yes
Stove body type	Freestanding
Suitable for Smoke Control Areas	No
Suitable for direct air connection	Yes
Suitable for non-combustible 12mm hearth	Yes
Max hearth Temperature	63.6 °C
Weight gross (packed kg)	91 Kg
Weight nett (unpacked kg)	86 Kg

## Dimensions

Width	541 mm
Height	600 mm
Depth	365 mm
Flue Diameter	127 mm
Height to centre of rear flue	492 mm
Depth from back to centre of top flue	102 mm
Ideal log length	380 mm

## Performance - Wood & Solid Fuel

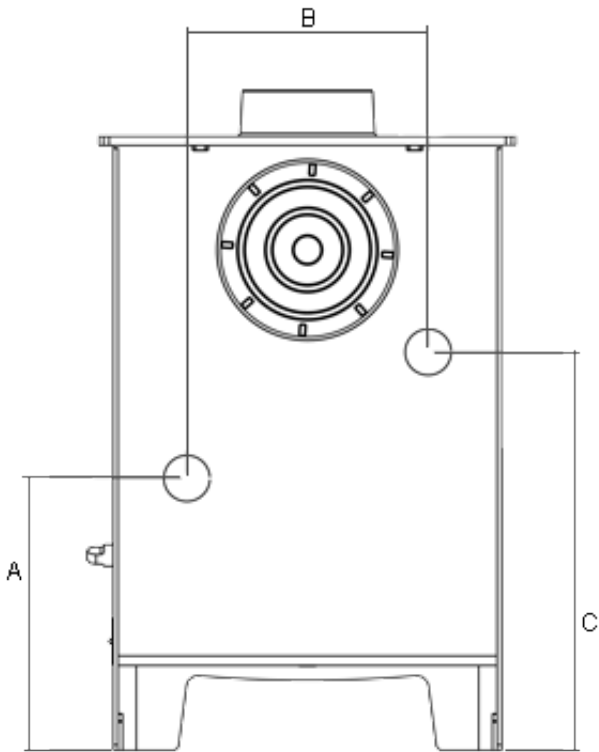
	Wood Fuel	Smokeless Solid Fuel
Energy Efficiency Class	A	
Nett Efficiency	94.8 %	%
Nominal Output	8.8 kW	8.8 kW
DIN+ particulate	Nmg/m3	Nmg/m3
Mean Co Emission(@13% O2)	0.68 %	%
Mean Co2 Emission(@13% O2)	%	%
Mean NOx Emission(@13% O2)	Nmg/m3	Nmg/m3
Mean OGC Emission(@13% O2)	Nmg/m3	Nmg/m3
Flue Gas Mass Flow	6.9 g/s	-
Flue Gas Temperature	364 °C	-

## Minimum Distance To Combustibles

To Rear	To Side	Above
750 mm	500 mm	381 mm

## Boiler Tapping Measurements

Add In Boiler Tapping Measurements.  
Rear view example shown. Not to scale.



A	B	C
247 mm	269 mm	390 mm

## Optional Extras

5-6 Flue Increasing Adapter - [ADP56]

Add-in Boiler - [AIB3]

Spigot 5 Inch Complete With Damper Flap And Handle - [AFS151A]