



Product Fiche

Supplier Name or Brand	Arada Ltd
Product Code	ESPRIT10FSOLO-S2
Energy Efficiency Class	Not applicable
Direct Heat Output	9.8 kW
Energy Efficiency Index	Not applicable
The useful energy efficiency at nominal heat output and at minimum load	74.4 %

Specific precautions that shall be taken when the local space heater is assembled, installed or maintained: *Product should be installed in accordance with local building regulations. Appliance will become very hot during use.*

Features

Flexifuel	Yes
Stove body type	Freestanding
Suitable for Smoke Control Areas	No
Suitable for direct air connection	No
Suitable for non-combustible 12mm hearth	Yes
Max hearth Temperature	83.9 °C
Weight gross (packed kg)	142 Kg

Dimensions

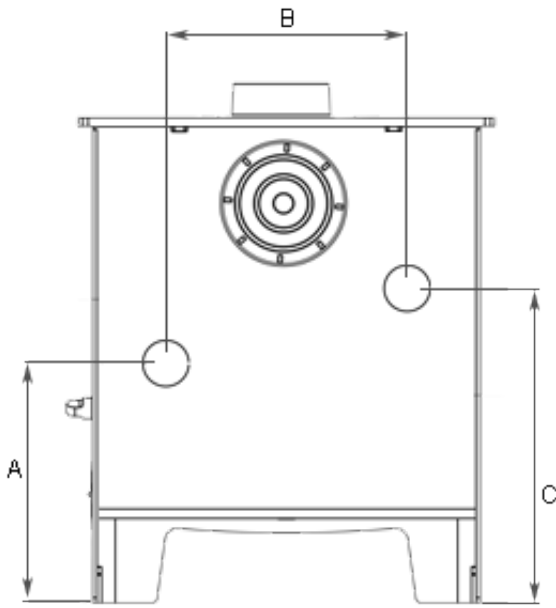
Width	685 mm
Height	575 mm
Depth	372 mm
Flue Diameter	127 mm
Height of stand	122 mm
Height of log store	278 mm
Height to centre of rear flue	464 mm
Depth from back to centre of top flue	110 mm
Ideal log length	475 mm

Minimum Distance To Combustibles

To Rear	To Side	Above
1100 mm	600 mm	381 mm

Boiler Tapping Measurements

Add In Boiler Tapping Measurements.
Rear view example shown. Not to scale.



A	B	C
226 mm	508 mm	317 mm

Optional Extras

Add In Boiler - [AIBV017]
Add On Canopy - High - [AOCVE10H]
Add On Canopy - Low - [AOCVE10L]
Logstore - [LOGVSDE10-S2]
Stand - [STANDVSDE10-S2]