



Product Fiche

Supplier Name or Brand	Arada Ltd
Product Code	HSB9
Energy Efficiency Class	Not applicable
Energy Efficiency Index	Not applicable
The useful energy efficiency at nominal heat output and at minimum load	75.2 %

Specific precautions that shall be taken when the local space heater is assembled, installed or maintained: *Product should be installed in accordance with local building regulations. Appliance will become very hot during use.*

Features

Flexifuel	No
Stove body type	Freestanding
Suitable for Smoke Control Areas	No
Suitable for direct air connection	No
Suitable for non-combustible 12mm hearth	Yes
Max operating pressure	3 bar
Max hearth Temperature	89.0 °C
Weight gross (packed kg)	110 Kg

Dimensions

Width	468 mm
Height	570 mm
Depth	417 mm
Flue Diameter	101 mm
Height of stand	125 mm
Height to centre of rear flue	431 mm
Depth from back to centre of top flue	431 mm
Ideal log length	260 mm

Minimum Distance To Combustibles

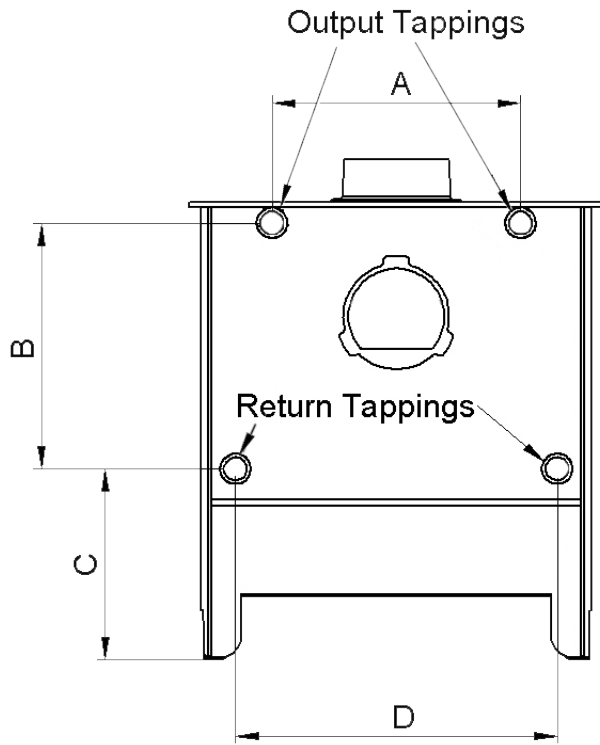
To Rear	To Side	Above
140 mm	120 mm	306 mm

Boiler Tapping Measurements

Freestanding Boiler Tapping Measurements.
Rear view example shown. Not to scale.

Optional Extras

Arada Universal Stand - [STAND001]
Universal Stand/Log Store - [STAND003]



A	B	C	D
260 mm	288 mm	255 mm	356 mm