



## Product Fiche

Supplier Name or Brand	Arada Ltd
Product Code	HSB9-INSET-G2
Energy Efficiency Class	Not applicable
Energy Efficiency Index	Not applicable
The useful energy efficiency at nominal heat output and at minimum load	73.1 %

Specific precautions that shall be taken when the local space heater is assembled, installed or maintained: *Product should be installed in accordance with local building regulations. Appliance will become very hot during use.*

## Features

Flexifuel	No
Stove body type	Inset
Suitable for Smoke Control Areas	No
Suitable for direct air connection	No
Suitable for non-combustible 12mm hearth	Yes
Max operating pressure	3 bar
Max hearth Temperature	232.8 °C
Weight gross (packed kg)	110 Kg

## Dimensions

Width	581 mm
Height	590 mm
Depth	532 mm
Flue Diameter	127 mm
Depth into fireplace	353 mm
Width into fireplace	392 mm
Height into fireplace	548 mm
Depth from back to centre of top flue	110 mm
Depth of front fascia	179 mm
Ideal log length	305 mm

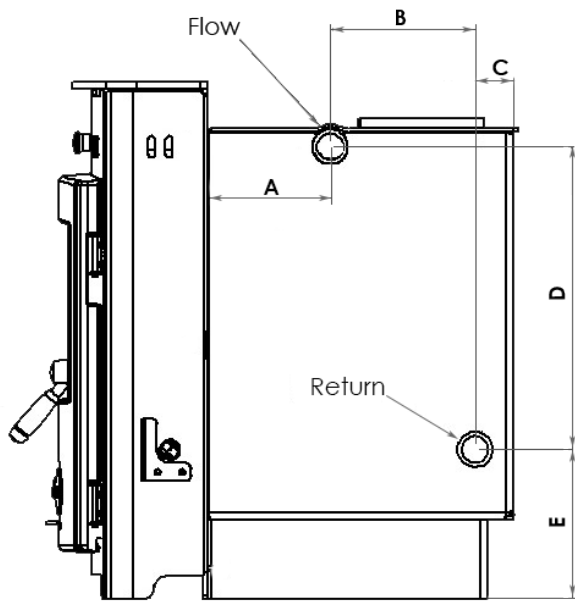
## Minimum Distance To Combustibles

To Side	Above
150 mm	100 mm

## Boiler Tapping Measurements

---

Inset Boiler Tapping Measurements.  
Side view example shown. Not to scale.



A	B	C	D	E
139 mm	165 mm	49 mm	345 mm	172 mm