



## Product Fiche

Supplier Name or Brand	Arada Ltd
Product Code	SOL7MCE-S2
Energy Efficiency Class	Not applicable
Direct Heat Output	6.1 kW
Energy Efficiency Index	Not applicable
The useful energy efficiency at nominal heat output and at minimum load	72.1 %

Specific precautions that shall be taken when the local space heater is assembled, installed or maintained: *Product should be installed in accordance with local building regulations. Appliance will become very hot during use.*

## Features

Flexifuel	No
Stove body type	Freestanding
Suitable for Smoke Control Areas	No
Suitable for direct air connection	No
Suitable for non-combustible 12mm hearth	Yes
Max hearth Temperature	45.0 °C
Weight gross (packed kg)	68 Kg

## Dimensions

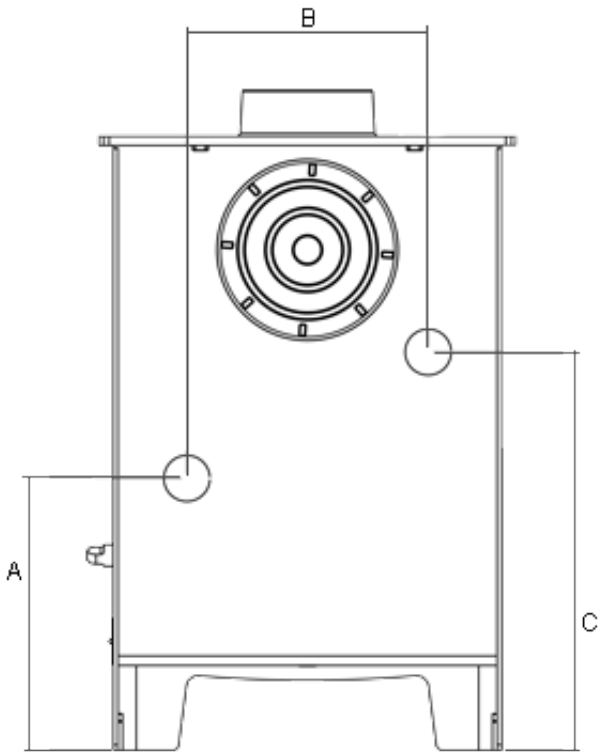
Width	476 mm
Height	558 mm
Depth	386 mm
Flue Diameter	127 mm
Height of stand	100 mm
Height to centre of rear flue	449 mm
Depth from back to centre of top flue	109 mm
Ideal log length	300 mm

## Minimum Distance To Combustibles

To Rear	To Side	Above
650 mm	450 mm	381 mm

## Boiler Tapping Measurements

Add In Boiler Tapping Measurements.  
Rear view example shown. Not to scale.



A	B	C
245 mm	264 mm	336 mm

## Optional Extras

Add On High Canopy - [AOC SH]  
Add On Low Canopy - [AOC SL]  
Add-in Boiler - [AIB8]  
Arada Universal Stand - [STAND001]  
Floor Fixing Kit - [AFS1135]  
Stand - [ECB7STAND]  
Universal Stand/Log Store - [STAND003]