



## Product Fiche

|   |              |
|---|--------------|
| Supplier Name or Brand  | Arada Ltd    |
| Product Code  | SOL7MCE-S2sn |
| Energy Efficiency Class   | A            |
| Direct Heat Output  | 6.1 kW       |
| Energy Efficiency Index   | 95.5         |
| The useful energy efficiency at nominal heat output and at minimum load | 72.1 %       |

Specific precautions that shall be taken when the local space heater is assembled, installed or maintained: *Product should be installed in accordance with local building regulations. Appliance will become very hot during use.*

## Features

|  |              |
|--|--------------|
| Flexifuel                                | No           |
| Stove body type                          | Freestanding |
| Suitable for Smoke Control Areas         | No           |
| Suitable for direct air connection       | No           |
| Suitable for non-combustible 12mm hearth | Yes          |
| Max hearth Temperature                   | 58.3 °C      |
| Weight gross (packed kg)                 | 68 Kg        |

## Dimensions

|                                       |        |
|---------------------------------------|--------|
| Width                                 | 476 mm |
| Height                                | 558 mm |
| Depth                                 | 386 mm |
| Flue Diameter                         | 127 mm |
| Height of stand                       | 100 mm |
| Total height on stand                 | 658 mm |
| Height to centre of rear flue         | 449 mm |
| Depth from back to centre of top flue | 109 mm |
| Ideal log length                      | 300 mm |

## Performance - Wood & Solid Fuel

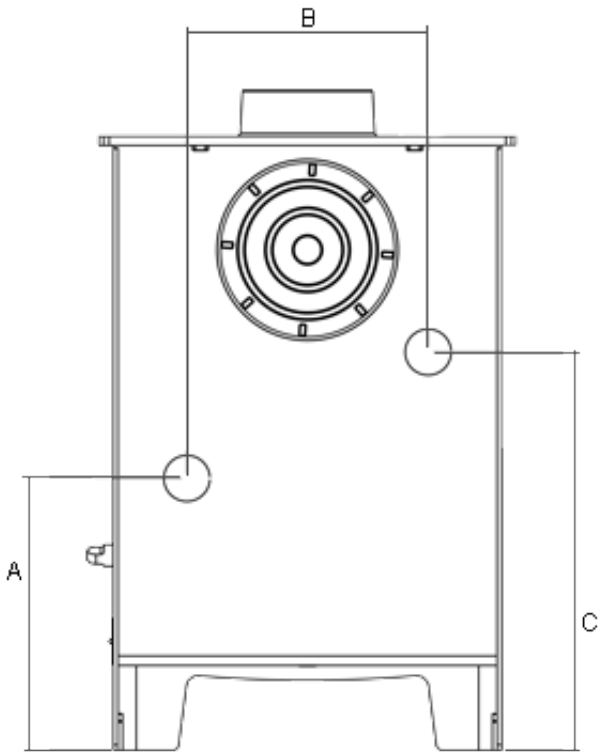
|                            | Wood Fuel | Smokeless Solid Fuel |
|----------------------------|-----------|----------------------|
| Energy Efficiency Class    | A         |                      |
| Nett Efficiency            | 72.1 %    | %                    |
| Nominal Output             | 6.1 kW    | kW                   |
| DIN+ particulate           | Nmg/m3    | Nmg/m3               |
| Mean Co Emission(@13% O2)  | 0.58 %    | %                    |
| Mean Co2 Emission(@13% O2) | %         | %                    |
| Mean NOx Emission(@13% O2) | Nmg/m3    | Nmg/m3               |
| Mean OGC Emission(@13% O2) | Nmg/m3    | Nmg/m3               |
| Flue Gas Mass Flow         | 4.9 g/s   | g/s                  |
| Flue Gas Temperature       | 363 °C    | °C                   |

## Minimum Distance To Combustibles

| To Rear | To Side | Above  |
|---------|---------|--------|
| 650 mm  | 450 mm  | 381 mm |

## Boiler Tapping Measurements

Add In Boiler Tapping Measurements.  
Rear view example shown. Not to scale.



| A      | B      | C      |
|--------|--------|--------|
| 245 mm | 264 mm | 336 mm |

## Optional Extras

Add On High Canopy - [AOC SH]  
Add On Low Canopy - [AOC SL]  
Add-in Boiler - [AIB8]  
Arada Universal Stand - [STAND001]  
Floor Fixing Kit - [AFS1135]  
Stand - [ECB7STAND]  
Universal Stand/Log Store - [STAND003]