



## Product Fiche

Supplier Name or Brand	Arada Ltd
Product Code	VB20-DUO
Energy Efficiency Class	Not applicable
Energy Efficiency Index	Not applicable
The useful energy efficiency at nominal heat output and at minimum load	70.5 %

Specific precautions that shall be taken when the local space heater is assembled, installed or maintained: *Product should be installed in accordance with local building regulations. Appliance will become very hot during use.*

## Features

Flexifuel	No
Stove body type	Freestanding
Suitable for Smoke Control Areas	No
Suitable for direct air connection	No
Suitable for non-combustible 12mm hearth	No
Max operating pressure	0 bar
Max hearth Temperature	144.0 °C
Weight gross (packed kg)	151 Kg

## Dimensions

Width	634 mm
Height	680 mm
Depth	431 mm
Flue Diameter	152 mm
Height to centre of rear flue	521 mm
Depth from back to centre of top flue	154 mm
Ideal log length	405 mm

## Minimum Distance To Combustibles

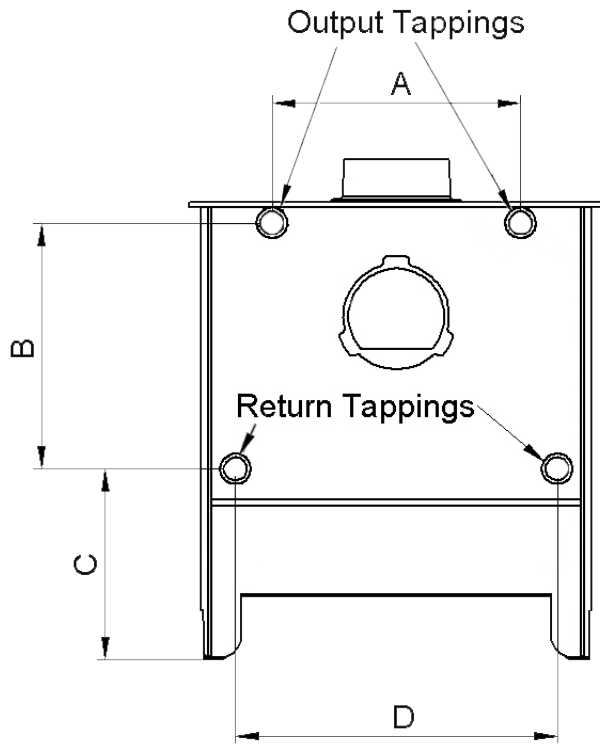
To Rear	To Side	Above
200 mm	150 mm	457 mm

## Boiler Tapping Measurements

Freestanding Boiler Tapping Measurements.  
Rear view example shown. Not to scale.

## Optional Extras

Arada Universal Stand - [STAND002]  
Floor Fixing Kit - [AFS1135]  
Universal Stand/Log Store - [STAND004]



A	B	C	D
340 mm	374 mm	278 mm	463 mm