



# Ecoboiler Cassette

PLEASE RETAIN THIS GUIDE FOR FUTURE REFERENCE

EN 13229:2001 +A1:2003 +A:2004 CE

---

**BK675** SPECIFIC Rev 02

OCT 2016 

## Stratford Ecoboiler Cassette Stove User Guide

Congratulations on the purchase of your new Stratford Ecoboiler stove!

More than 30 years of experience has been put into the development of your stove to ensure ultimate performance and years of trouble free use and enjoyment. Every detail of your stove has been carefully designed and engineered which is why we are so confident in the reliability of our products.

Your Stratford stove is built to the highest standard of craftsmanship using the best materials and the most modern equipment available. It is a highly efficient and sophisticated piece of machinery and when properly installed and operated it should provide a lifetime of heating satisfaction.

Should you have any questions about your stove which are not covered by this manual, please contact the Arada retailer in your area, call our technical support department on +44 (0)1297 35700 or visit our website [www.aradastoves.com](http://www.aradastoves.com) which offers a wealth of information on how to care for, and get the best from your stove.

Please ensure that you read these instructions in full and understand them before operating your stove.

Arada has a policy of continuous product development and therefore we reserve the right to amend specifications without prior notice. Due to printing cycles, items or options may be described before they are generally available or after they have ceased. Please check with your retailer or dealer if you are unsure about any aspect of your stove, its installation or correct use.

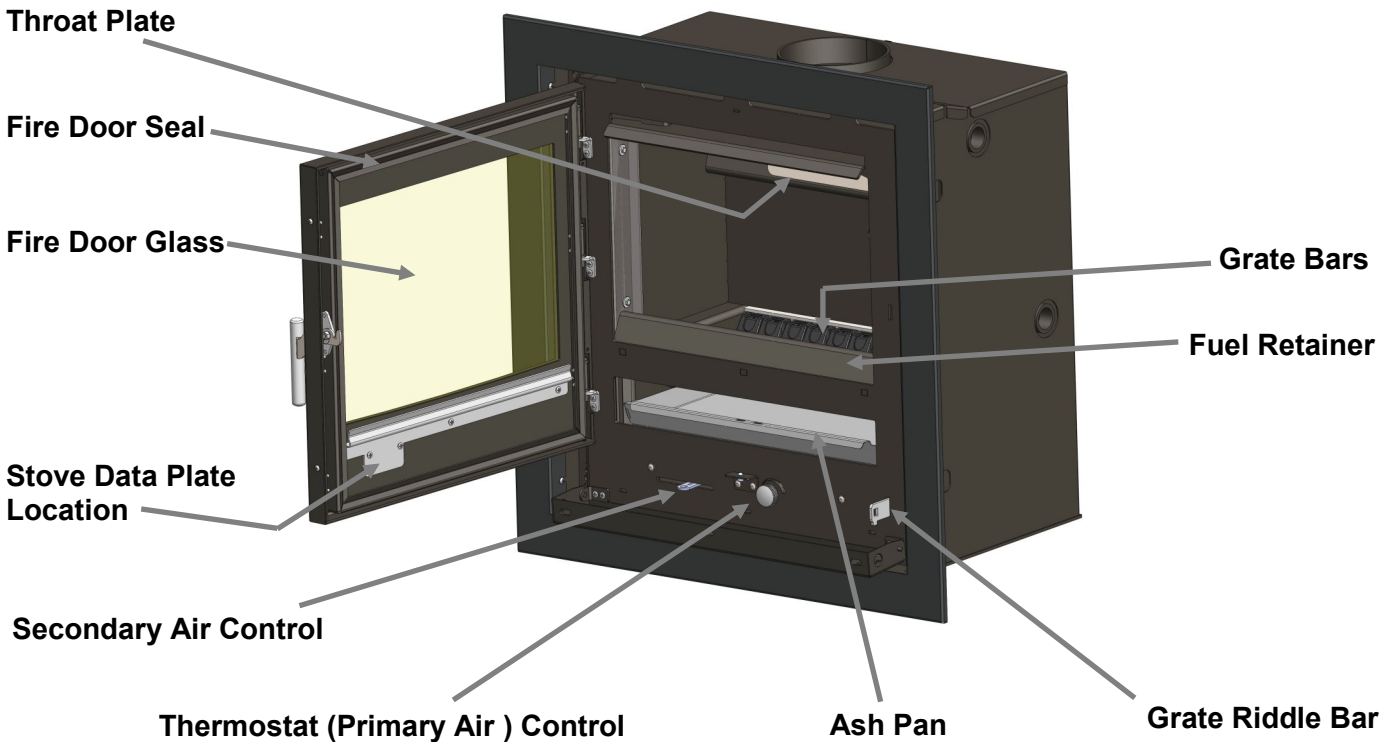
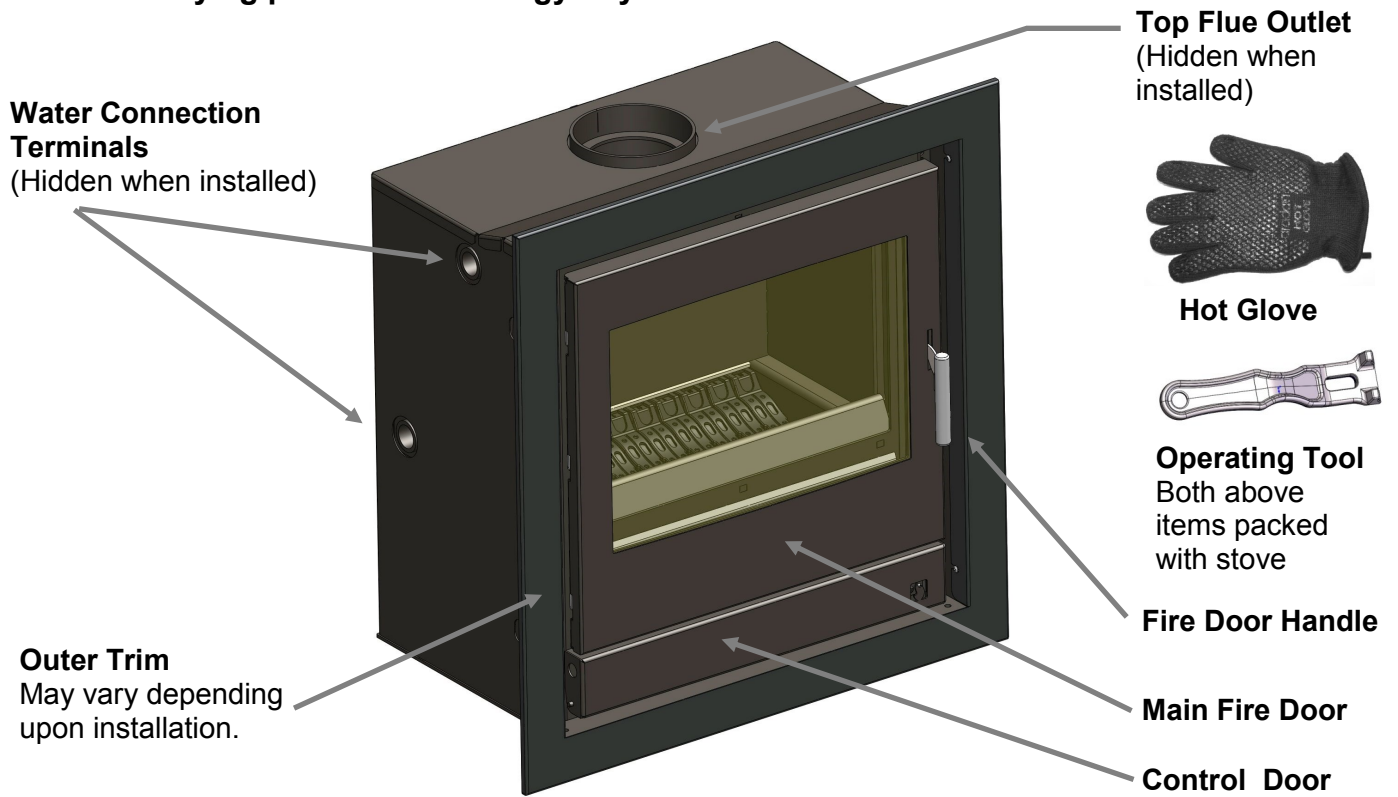
# Contents

<b>1 Identifying your stove</b>	
1.1 Identifying parts & terminology of your stove .....	5
<b>2 Warnings</b>	
2.1 General Warnings .....	6
2.2 Health and Safety .....	7
<b>3 Advice on fuel types</b>	
3.1 Mineral smokeless fuel (Solid fuel).....	8
3.2 Other fuels.....	8
<b>4 Before using your stove</b> .....	9
<b>5 Air inlet controls</b>	
5.1 Location and operation of the controls .....	10
5.1.1 Primary air / Thermostatic control .....	11
5.1.2 Air wash system / Secondary air .....	11
<b>6 Lighting your stove</b>	
6.1.1 Fuel overloading .....	12
6.1.2 Operation with door left open .....	12
6.1.3 Dampers / Air controls left open .....	12
6.2 Burning solid fuels.....	12
6.3 Initial lighting of boiler stove.....	14
6.4 Typical solid fuel burn for nominal output .....	15
6.5 Warning—Fume / smoke emissions .....	15
<b>7 Further information for all stove owners</b>	
7.1 Door glass .....	16
7.2 Reduced burning .....	16
7.3 Over firing .....	16
7.4 Chimney fires .....	16
7.5 Ash removal .....	17
7.6 Periods of non-use (summer months).....	17
7.7 Classification .....	17
7.8 Adverse weather conditions .....	17
7.9 Replacement parts .....	18

<b>8 Further information for multi fuel stove owners</b>	
8.1 Multi fuel / <i>Flexifuel</i> grates .....	18
<b>9 How heat is delivered by your stove</b>	
9.1 Section through boiler stove .....	19
9.2 Radiant heat .....	20
9.3 Convected heat .....	20
9.4 Hot water .....	20
<b>10 Care for your Stratford stove</b>	
10.1 Adjusting the door hinges .....	21
10.2 Thermostat maintenance .....	21
10.3 Throat plate / FED Plate .....	21
10.4 Fire door seal .....	21
10.5 Cracked glass .....	21
10.6 Chimney / flue sweeping .....	22
<b>11 Further resources / reading</b>	
11.1 Information.....	23
11.2 Specifications .....	23
<b>12 Guarantee</b>	
12.1 Guarantee .....	24
12.2 Terms and Conditions .....	24-25
12.3 General .....	26
<b>13 Technical specification.....</b>	<b>27</b>

# 1 Identifying your stove

## 1.1 Identifying parts & terminology of your stove





## 2 Warnings

### 2.1 General warnings

It is a LEGAL REQUIREMENT that the installation of all new or replacement, wood or solid fuel heating appliance, obtain building control approval from your local authority or the installation work must be carried out through a government approved competent persons scheme. A list of all competent person schemes can be found :  
<https://www.gov.uk/guidance/competent-person-scheme-current-schemes-and-how-schemes-are-authorised>

Any manufacturer's instructions must not be taken as overriding statutory requirements.

All Stratford Ecoboiler Cassette stoves MUST NOT be connected to a shared flue system.

Please Note: Classification of these appliances is for intermittent use only.

Do not use aerosol sprays or any other flammable materials near the appliance when in use.

Do not use the appliance as an incinerator.

Use only recommended fuels, STRICTLY NO unsuitable and non recommended fuels or materials or liquid fuels allowed.

Pure petroleum coke or Bituminous house coal must NOT be burned in this appliance. The use of these fuels will invalidate the appliance guarantee.

Arada recommends the use of approved smokeless fuels which have been deemed suitable for use on closed appliances, including multi fuel stoves.  
If in doubt, contact The Solid Fuel Association, telephone: 0845 601 4406 / 01773 835400 or visit [www.solidfuel.co.uk](http://www.solidfuel.co.uk).

Please ensure that the air inlet vent grills to the dwelling are not obstructed or liable to be blocked.

Caution must be exercised during operation of the appliance as both internal and external surfaces will be hot to touch, use the stove mitten provided when the appliance is in operation.

A fireguard conforming to BS 8423:2002 should be used in the presence of children or elderly people.

Always observe the distances to combustible materials as stated on the appliance data plate and in the technical data section of this manual. Ensure no soft furnishings or combustible materials are susceptible to heat radiating from the appliance.

Under NO circumstances should the stove be operated for extended periods with the main fire door open. This will result in an over firing situation and will lead to severe damage to the stove and flue system.

Ignoring the warnings could lead to damage/injury to persons and/or property.

Arada Ltd will not be responsible for any consequential or incidental loss or injury however caused.

### **2.1 Health and Safety**

Please consult health and safety guidelines for advice on handling heavy and / or large items.

## 3 Advice on fuel types

### 3.1 Mineral Smokeless Fuel (Solid Fuel)

If you have chosen a multi/solid fuel stove this will have a cast iron Patented riddling grate which allows you to burn a wider variety of fuel types.

It is important to ensure that your fuel is intended for use in a stove, modern stoves are designed for use with current cleaner burning and smokeless fuels.

Arada recommends the use of approved smokeless fuels which have been deemed suitable for use on closed appliances including multi fuel stoves or boilers.

DO NOT BURN Bituminous house coal or petroleum coke in this appliance.

For additional advice on fuels, please refer to The Solid Fuel Association ([www.solidfuel.co.uk](http://www.solidfuel.co.uk))

PLEASE NOTE : All test data, outputs and efficiencies stated in this instruction manual were obtained by burning 'MAXIBRITE' mineral smokeless fuel.

### 3.2 Other Fuels

Other fuels, may burn successfully, such as paper etc.

Burn dry paper only or damage will occur to the flue or chimney with an increased risk of a chimney fire.

DO NOT BURN any form of plastics in this appliance.

For further advise on fuels, please contact your local retailer or Arada technical support.

## 4 Before using your stove

Stratford boiler stoves are designed to be operated with the fire door(s) closed at all times, apart from refuelling (when alight) or cleaning (when cold).

Never leave the appliance unattended for an extended length of time with the door(s) open.

Prior to lighting the stove for the first time, please check with the installer that:

- Installation and all building work is complete. (Refer to the installation guide.)
- The chimney is sound, has been swept and is free from obstruction.
- Building Regulations and any local by-laws have been followed during installation.
- All firebox liner panels and throat plate are in place.
- The chimney draw has been checked and is within specification (between 0.1mb to 0.2mb, or 10-20 pascals). This ensures your stove will operate predictably and efficiently.
- Carbon Monoxide detector is correctly installed in the same room as the appliance.
- Suitable provision for combustion and ventilation air, depending upon building regulations have been undertaken by the installation fitter.
- Consideration must be given for the need for extra ventilation if another heating source needing air is to be operated simultaneously. If an extraction fan is proposed to be fitted to a connecting area of the house, after the stove has been installed, professional advice should be sought from a qualified engineer.

Ensure that you have read and understood these instructions before lighting the fire.

Our YouTube channel, [www.youtube.com/user/aradastoves](http://www.youtube.com/user/aradastoves) features a collection of videos designed to help you get the best from your Stratford stove.

Always wear suitable protective fire gloves when refuelling your stove, such as the Arada hot gloves supplied with your stove. Always keep the hot glove away from naked flames and sparks, when re-fuelling the appliance.

We recommend that you light a small fire for the first few days of use to cure the paint and allow the castings to relax. During this process the paint surface may smoke briefly, and you may smell a slight odour. The vapour is harmless and should not be confused with fume emissions, however, it is advisable to keep the area well ventilated until the vapour disperses.


You may hear your stove produce clicking or ticking noises whilst it heats up or cools down. This is completely normal and is produced by the expansion and contraction of the steel components in your stove when its temperature changes.

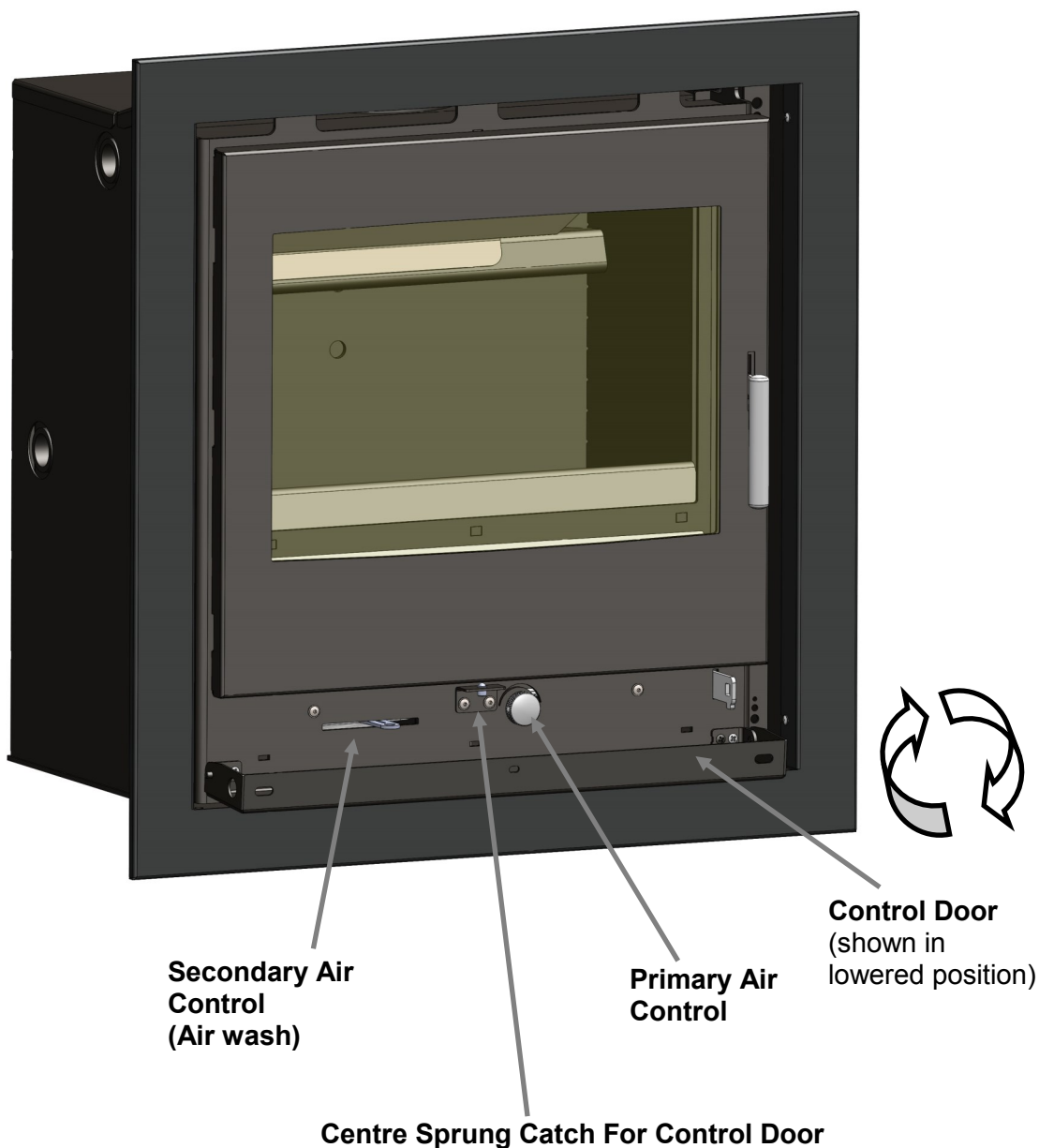
## 5 Air inlet controls

### 5.1 Location and operation of the controls

Your stove has two air inlet controls. These are located behind the drop down control door, located below the main fire door.

To lower the control door there are two holes cut into the sides of the door panel, use these to pull open and lower the door. To close, simple push upright; a sprung centre catch will ensure the door stays in place.

 **NOTE : The air controls will be HOT, always use the Hot glove when adjusting the air controls.**



### 5.1.1 Primary air / Thermostat Control

The primary air is supplied through the thermostatically controlled air inlet damper. This control will have been calibrated during production and it regulates the amount of under draught air entering the stove beneath the fire bed or grate bars.

The control of the thermostatic damper is via a rotary knob, turning this knob clockwise raises the damper and therefore increases the amount of air entering the firebox. Again vice-versa, turning the knob anti-clockwise lowers the damper and reduces the amount of air, so in turn reducing the rate of burn, see Fig. 1.

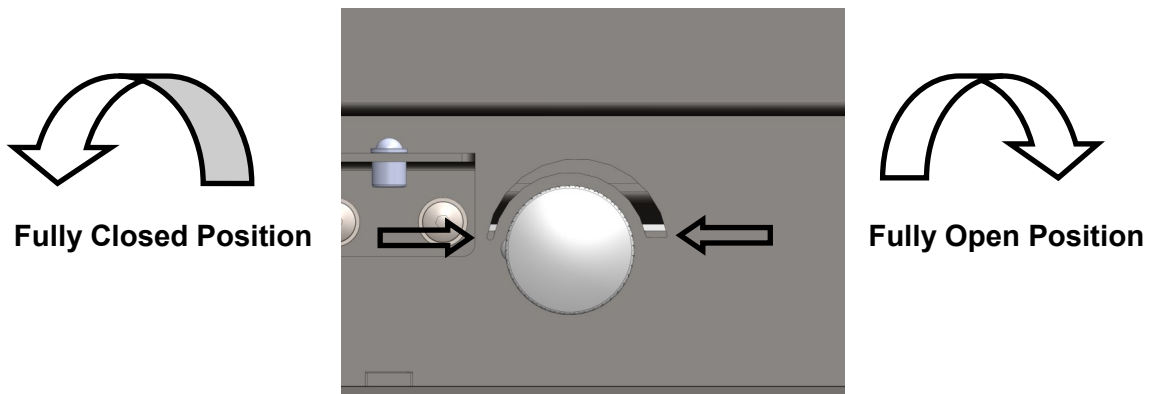


Fig. 1. Primary Air Control

### 5.1.2 Air wash system / Secondary air

The secondary air provides an overdraught of air together with supplying air in front of the glass viewing panel within the door assembly. This is known also as the air wash system. The air wash/secondary air inlet has an internal rotary plate with slots, housed inside the body of the appliance and is located to the left of the primary control.

Sliding the control lever to the right as far as it will go, achieves the fully open position, see Fig. 2. Sliding it to the left will shut down the air inlet slots as shown in Fig. 3.

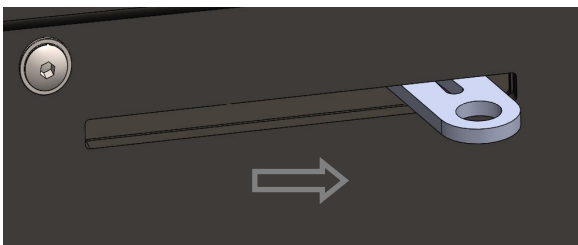


Fig. 2. Fully Open Position

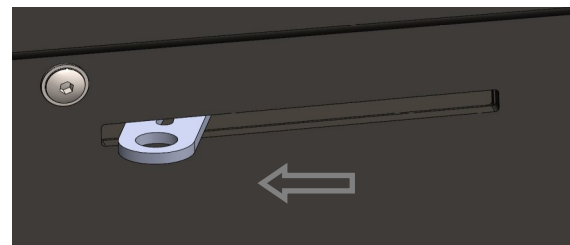


Fig. 3. Fully Closed Position

**⚠ NOTE : DO NOT COVER OR PARTIALLY OBSTRUCT THE AIR INLET OPENINGS FOR THE APPLIANCE.**

## 6 Lighting your stove

### 6.1.1 Fuel overloading

The maximum amount of fuel specified in this manual should not be exceeded, overloading can cause excess smoke. Please see technical data section in this manual.

### 6.1.2 Operation with door left open

Operation with the door open can cause excess smoke. The appliance **MUST NOT** be operated with the appliance door left open except as directed in the instructions.

### 6.1.3 Dampers / Air controls left open

Operation with the air controls or appliance dampers open can cause excess smoke. The appliance must not be operated with the air controls, appliance dampers or door(s) left open except as directed in these instructions.

## 6.2 Burning solid fuels

Solid fuel burns best with its air supply for combustion coming from underneath the fuel. To achieve this, the burn will be controlled by the primary air control thermostat (see Fig 1).

This allows you to control the flow of air, underneath the grate. If the primary control knob is set, the thermostat will regulate the air flow automatically via sensing the output water temperature from the boiler output flow terminal.

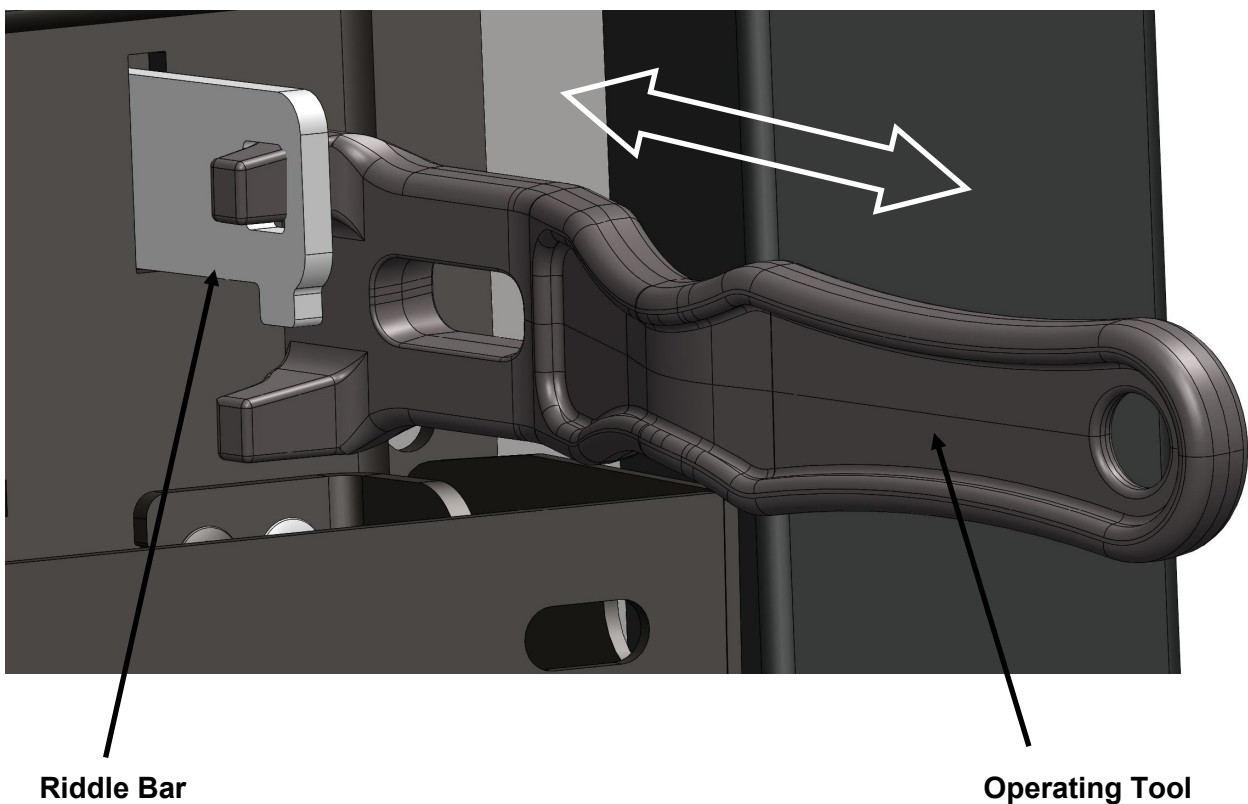
Riddling the stove occasionally will also help to ensure that burnt fuel does not prevent the supply of air from reaching the fire bed.

To burn solid fuel, your stove must have a cast iron grate to withstand the higher temperatures involved. To do so could damage your stove and will void your warranty.

The procedure for lighting / burning solid fuel, is as follows

- 1) Set the air wash (secondary) (see Fig 2 & 3) air slider to about one quarter open and the primary air / thermostat fully open (see Fig 1).
- 2) Lay the fire by using scrunched up paper and placing a layer of dry kindling wood on top of this. The use of two or three fire lighters may assist in lighting the kindling.

- 3) After the kindling has caught light, you should almost close the fire door leaving it ajar by about 10mm. This will aid the flue draw during the initial lighting of the fire.
- 4) Once the flue draw has been established, after about five minutes, carefully load the stove with solid fuel and close the door.
- 5) When the fire is well alight regulate the burning rate by controlling the primary air inlet / thermostat control.
- 6) The air wash should be closed enough to enable a sufficient supply of air to the glass to keep the door glass clean.
- 7) Whilst burning solid fuel it can be beneficial to occasionally riddle the grate bars so any burnt fuel will fall between the grate bars into the ash pan below. This will ensure a good under draught is maintained. This should be done with the supplied operating tool whilst wearing protective gloves. (See Fig. 4 below)



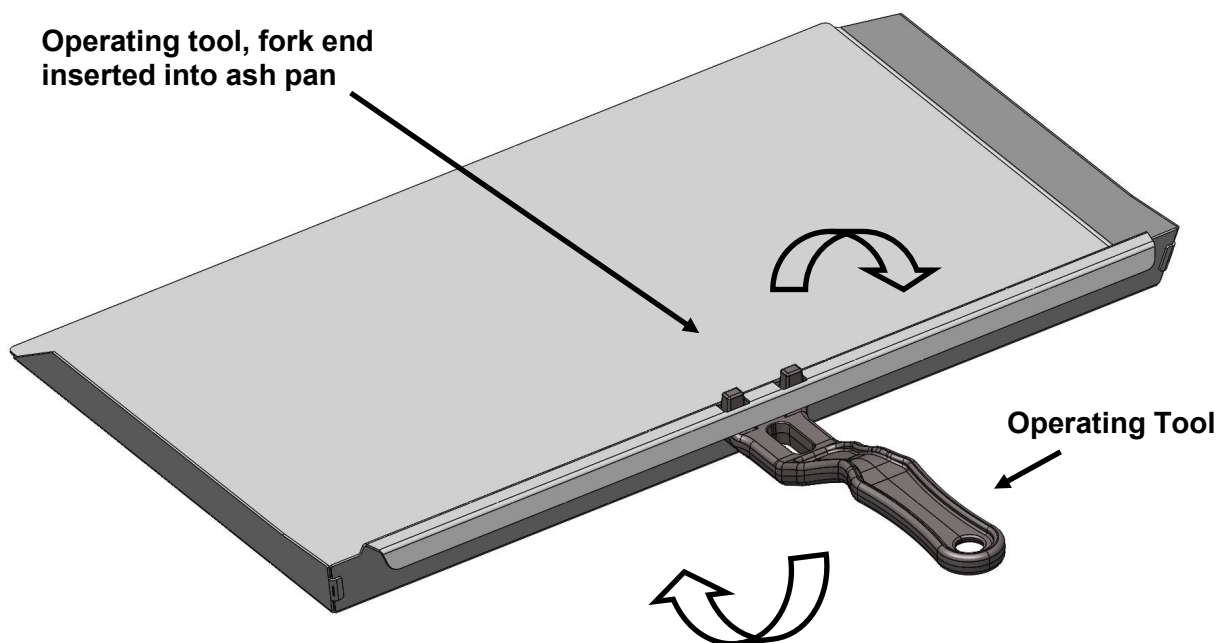
**Fig. 4. Riddle Lever**

8) Locate the riddle lever (behind the control door on RH side of stove—see Fig. 4)) engage one of the forks of the operating tool into the rectangular hole within the riddle lever.

Gradually pull in a linear motion until resistance is felt, then gradually push inwards until the stop is reached.

Repeat the above procedure for at least 6 to 8 times to clear the ash from the grate.

9) Please note, once the above procedure has been completed, it may be necessary to empty the ash pan, (see Fig. 5 below). It is not uncommon depending upon use and the fuel being burnt, you may need to frequently empty the ash pan.



**Fig. 5. Ash Pan & Operating Tool**

10) Using the operating tool, (also see section 7.5 of this instruction) engage the fork end of the operating tool into the two slots cut within the ash pan rear edge. Ensure that the operating tool is fully seated, to avoid injury also being careful as the ash may contain pieces of hot embers, only empty into a metal container.

Always replace the ash pan when the appliance is in use.

### **6.3 Initial lighting of boiler stove**

When the appliance has been lit from cold, the initial period of warming will create temporary condensation on the inside faces of the boiler jacket. This is not a fault and is normal and as a result of the extremes of temperature changes, from the hot side (fire / flames) and the cold side (water jacket). Once the fire box has established an uniform temperature the condensation will evaporate and disappear.

#### 6.4 Typical solid fuel burn for nominal output

To perform the most efficient burn at the nominal rated output please consult the specification table at the rear of this manual. Please note, many factors can effect the nominal output, so the stated weights of fuel (Smokeless solid fuel briquettes) are a guide, which is a representation to laboratory burn conditions.

#### 6.5 Warning - Fume / Smoke emissions

Properly installed, with a suitable flue or chimney, operated and maintained correctly, this appliance will not emit fumes into the dwelling. Occasional fumes when de-ashing and refuelling may occur. However, persistent fume emission is potentially dangerous and must be investigated by a approved / registered installer.



**STOP USING THE APPLIANCE IF YOU SMELL FUMES OR SEE SMOKE ESCAPING.**

If fume emission does persist, the following immediate actions should be taken:

- Open doors and windows to ventilate room.
- Let the fire die or extinguish and safely dispose of fuel from the appliance.
- Check for flue or chimney blockage, and clean if required.

Seek expert advice from your approved installer. Do not attempt to re-light the fire until the cause of the fume emission has been identified and corrected.

## 7 Further information for all stove owners

### 7.1 Door glass

The door glass should remain clear during normal burning. However under certain conditions, such as burning at a low or slow rate, using damp wood or overnight burning, the glass may become somewhat blackened. To remedy this, operate the appliance at a fast rate. Alternatively when the stove is cold, open the door and clean the inside face of the glass with a damp cloth or with glass cleaner ([www.aradastovesandspares.com](http://www.aradastovesandspares.com) or Arada dealers).

### 7.2 Reduced burning

**Please note, during CE approvals the appliance has only been tested for nominal output, however, the appliance, may well reduce or slow the burning rate, through normal operation of the thermostatic primary air control, so the following paragraph will need to be observed.**

To avoid chimney problems your appliance should not be burnt at a reduced burn rate without a period of fast burning.

Fast burning is when the stove is burnt with a 'lively flame' or 'bright glow' and at higher temperature. We strongly advise against stoking the fire with fuel and reducing the air intake (s) before leaving the stove to extinguish (perhaps when retiring to bed) as this can lead to a cooling of the stove and flue also resulting in incomplete combustion, sooty deposits and high levels of pollutant gases released into the environment.

### 7.3 Over firing

**DO NOT** over fire your appliance. Firing the stove at maximum for prolonged periods may result in over-firing. If the chimney connector or casing glows red the appliance is being over-fired and this may result in a chimney fire. Other signs include warping and a red-oxide colouring will demonstrate the over- heating of internal parts; body paint which has turned dusty white is also indicative of such use.

### 7.4 Chimney fires

Used in the correct manner, with the correct fuel and regular maintenance a chimney fire should never occur, however in the even of a chimney fire, the following procedure should be actioned without delay:

- **Call the fire service—DIAL 999**
- **Immediately close all of the air inlet supplies on the appliance, to reduce the air supply to the stove.**
- **Move items of furniture and combustibles away from the surrounding area of the stove, to reduce the risk of fire and allow access for the fire service.**
- **Ensure access to the loft space is available.**
- **Evacuate the property.**

## 7.5 Ash removal

The ash pan should be emptied when the level of ash reaches the top of the ash pan. On no account should the ash be allowed to build up to touch the underside of the grate bars, as this will greatly reduce the life span of the grate.

### **To remove ash use the supplied operating tool & hot glove-**

- Open the door of the stove, pausing briefly when ajar so as to allow the fire to adjust to the increased air supply.
- Put the fork end of the operating tool into the slots of the ash pan and remove from the ash pit chamber.
- Empty the ash into a suitable container and replace the ash pan into the stove, withdraw the operating tool and close the fire door.

**Warning:** The ash can be very hot. Care must be taken not to burn hands or household objects with falling embers—ALWAYS USE THE HOT GLOVE SUPPLIED.

Empty only into a metal container. Even if the ash appears cold, red-hot embers may be concealed and could easily start a fire or cause an injury.

## 7.6 Periods of non-use (summer months)

Please ensure that your stove is left clean and moving components are well lubricated with a water repelling corrosion inhibitor for the summer months (during periods of prolonged non-use). If possible store the throat plate outside of the stove. Check all moveable components at regular intervals, to ensure they are moving freely. Allow air movement through the stove by opening the air wash and primary air inlet control (s) to about half way, open or leave the door ajar. This will allow a free flow of air through the appliance thus preventing moisture and condensation forming inside the stove and chimney. This preventative maintenance will ensure your stove stays in the best condition for the coming winter months.

## 7.7 Classification

All Ecoboiler Cassette stoves are classed as intermittent operation . There by meaning, to give nominal rated output, you will have to refuel at a given period. The nominal rated output, stated in the technical specifications section, was achieved over a 2.5 hour burn using mineral smokeless fuel (MSF) -'Maxibrite'.

## 7.8 Adverse Weather Conditions

If due to adverse weather conditions your stove does not operate correctly and causes the stove to emit smoke, do not treat it as a nuisance, this smoke will indicate that carbon monoxide is being emitted into the room. Extinguish the stove by reducing the firing rate, open windows and allow the stove's fuel to burn out before closing the windows. The probable cause is insufficient draw, check flue ways and have the chimney tested for flue pressure.

## 7.9 Replacement parts

Genuine replacement spare parts can be obtained from [www.aradastovesandspares.com](http://www.aradastovesandspares.com) or your Arada dealer.

You can find a complete list of spares and consumables such as liners, grate bars and throat plates as well as items to enhance its visual appearance and efficiency such as stove paint and rope kits.

It is worth noting that the fitting of non-official Arada parts to your stove will invalidate its guarantee.

## 8 Further information for multi fuel stove owners

### 8.1 Multi fuel / *Flexifuel* grates

The Patented grate system in your Stratford Eco boiler Cassette stove comprises of a series of reciprocating cast iron bars seated on a pivoted comb. These should come pre-assembled in your new stove.

All bars in the grate are identical, but every other bar is turned 180 degrees, with the ends of the bars marked "H" sitting on the high sections of the comb, and the ends marked "L" sitting on the low sections.

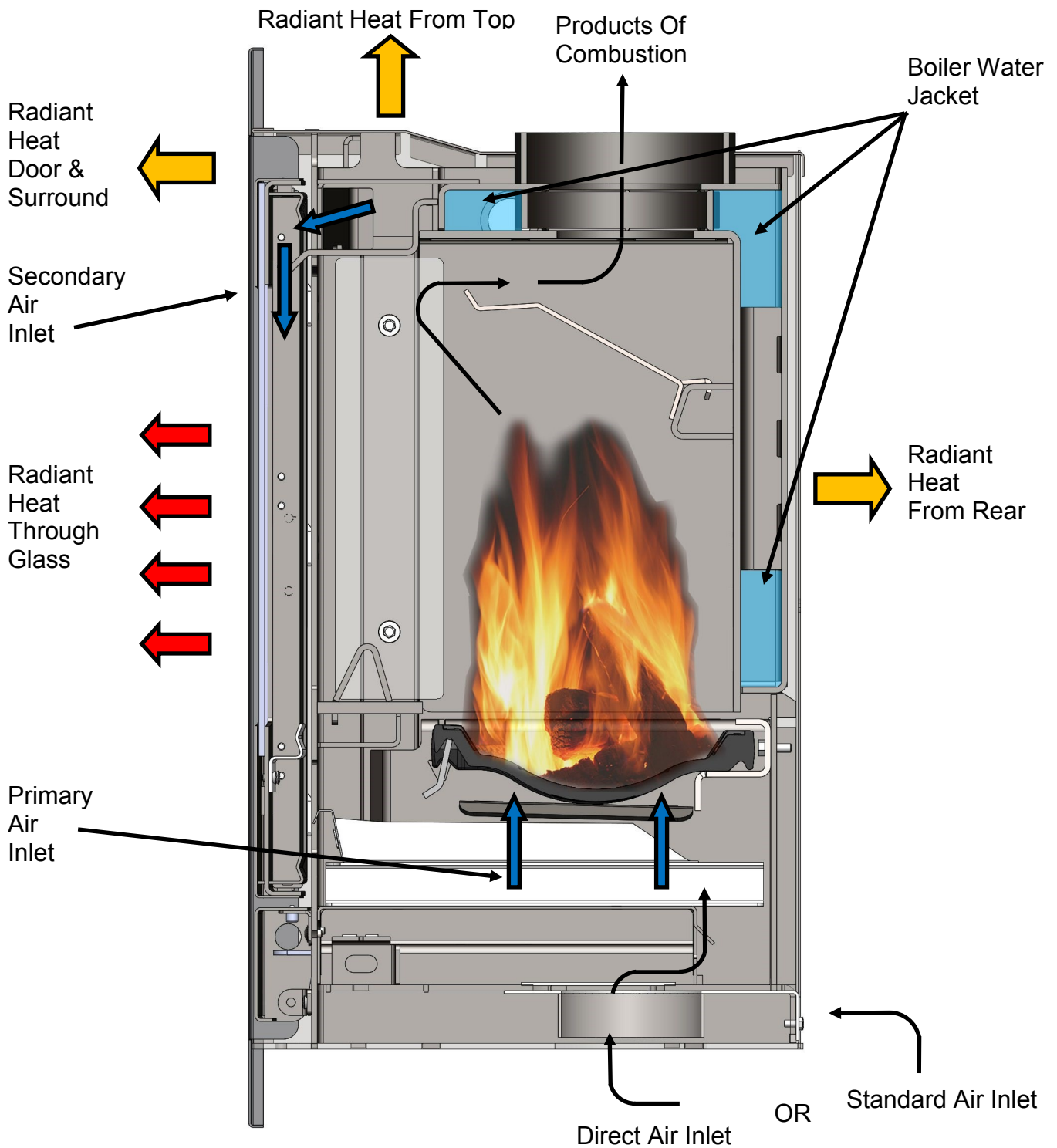
The riddling lever, situated on the right hand side of your stove (behind the control door), can be operated with the stove operating tool to riddle ash into the ash pan below. Stop riddling once red embers begin to fall into the ash pan.

After extended use it may be necessary to replace some of the grate bars.

The installation guide contains details on how to maintain the multi fuel grate assembly.

## 9 How heat is delivered by your stove

### 9.1 Section through boiler stove



Section Through Boiler Stove

## **9.2 Radiant heat**

All Stratford Ecoboiler Cassette stoves radiate heat into the room. The radiated heat is most intense at the front of the stove, especially through the door glass and less intense the further you move away from the stove.

This radiated heat is delivered as infrared rays which heat the objects they strike. It is then these objects (such as the chimney breast, hearth etc.) which heat the surrounding air.

## **9.3 Convected heat**

Air immediately adjacent to the boiler stove is heated as a result of contact with its hot surfaces. This air then rises being replaced by cooler air which is then heated and rises again.

This creates a circuit or flow of air referred to as convection current, which helps to distribute heat around the room in which the stove has been installed.

## **9.4 Hot Water**

Your stove also has a boiler jacket integrated into the rear, sides and top of the appliance. This is used to heat water, which can be used to heat your domestic hot water supply.

Depending on the configuration of your installation your Stratford Ecoboiler Cassette is capable of heating radiators, underfloor heating and a hot water tank.

Please speak to your installer who will be able to explain how your stove has been installed and give some advice on how to best utilise its heat output.

## 10 Care for your Stratford Boiler

The need for regular maintenance on your boiler stove will ensure, safe and efficient use of your appliance. The following item listing should be checked and inspected by a competent person or engineer on a regular basis, when the appliance is unlit and cold.

### 10.1 Adjusting the door hinges

Once the appliance has been under fire for a period of time the fire door may appear to have moved out of alignment with relation to the door aperture or catch. This is quite normal and due to the settling of the door casting.

**If the fire door needs to be raised, please follow the instructions below:**

When the appliance is cold, open the fire door so that it is at right angles to the front of the stove and lift the fire door up off the hinges.

Drop one washer on the top and bottom hinge pins. Fit the door and check. Repeat again if necessary.

### 10.2 Thermostat maintenance

It is possible that over time, especially if ash is not removed regularly, the primary air inlet and its damper flap (affixed to the thermostat) may become restricted / blocked by ash which may compromise the correct operation of the thermostat.

The installation guide contains details on how to maintain the operation of the damper flat and thermostat assembly.

### 10.3 Throat plate / FED plate

The throat plate should be removed from the stove and checked once a month and any accumulated deposits should be cleaned off. This is best done with a brush. After a period of time the throat plate may begin to corrode. If it is distorted it will require replacing.

A replacement throat plate can be sourced from your dealer or [www.aradastovesandspares.com](http://www.aradastovesandspares.com).

### 10.4 Fire door seal

The rope seal around the edges of the main fire door should also be checked. Look for signs of fraying, peeling away or the ends not meeting. If the rope is unable to create a good seal with the stove body it should be replaced. A poor seal will decrease your ability to control the burn rate and its efficiency whilst leading to an increase in heat lost through the flue.

### 10.5 Cracked glass

It is not recommended to operate the stove with cracked glass; this can lead to over firing due to air leaking into the firebox and it may fail completely leading to personal injury or a fire.

You should discontinue use of your stove until it has been repaired. You can source replacement glass kits from [www.aradastovesandspares.com](http://www.aradastovesandspares.com) or your Arada dealer.

### **10.6 Chimney / Flue Sweeping**

Sweeping should be carried out with an appropriate sized bristle brush and rods to suit chimney size and type. As with all appliances regular sweeping of the flue / chimney is essential to avoid dangers of blockage and the escape of poisonous fumes. Access for cleaning should also be incorporated in the chimney (eg: soot door or access through the register plate etc).

It is important that the flue connections, flue pipe and chimney be cleaned prior to lighting after a prolonged period of non use.

## 11 Further resources / reading

Once again we would like to thank you for buying your Stratford Ecoboiler Cassette stove.

### 11.1 Information

We appreciate that we have given you a lot of information to read, but we hope it has been clear and helpful and that you are now able to enjoy the full benefits of your stove.

However if you have any queries, doubts or would like further advice please do not hesitate to speak to your Stratford dealer or call us. You will find our contact details below, as well as a list of resources where you can discover more information about your stove and associated articles.

- Arada Technical Support  
01297 35998  
[technical@aradastoves.com](mailto:technical@aradastoves.com)
- Arada Stoves Support Site  
[www.aradastoves.com/support](http://www.aradastoves.com/support)
- Competent Person Schemes  
<https://www.gov.uk/guidance/competent-person-scheme-current-schemes-and-how-schemes-are-authorised>
- Solid Fuel Association  
[www.solidfuel.co.uk](http://www.solidfuel.co.uk)
- Document J Building Regulations (Combustion Appliances)  
[www.planningportal.gov.uk/](http://www.planningportal.gov.uk/)
- The National Association of Chimney Sweeps (NACS)  
[www.nacs.org.uk/](http://www.nacs.org.uk/)
- APHC—Association of plumbing and heating contractors (certification) Ltd  
[www.aphc.co.uk](http://www.aphc.co.uk)

### 11.2 Specifications

All Stratford Ecoboiler Cassette stoves are manufactured and independently tested to EN standard 13229 and are CE marked.

Within the above EN standard, material specifications and criteria are defined. The boiler construction used is MIG welded with the joints fillet welded, 8 to 10mm in dimensional size.

## 12 Guarantee

When you buy an Arada stove, you are not only buying a first class appliance, you are receiving a commitment from us to look after you and your appliance.

### 12.1 Guarantee

If any part of the main body of the stove fails due to a manufacturing or material defect during the guarantee period that applies in respect of the relevant stove (as set out below), Arada will, at its sole discretion, repair or replace your Arada stove, for no charge.

For the purposes of this guarantee, a material or manufacturing defect includes the splitting or cracking of the main body (defined as the steel outer casing and items fixed immovably to the casing).

Damage caused by over-firing or over-heating is not covered (as described in the operation manual). Warping and a red-oxide colouring will demonstrate the over-heating of internal parts; body paint which has turned dusty white is also indicative of such use.

The following guarantee periods shall apply in respect of the following Arada stoves:

Stratford boiler stoves come with a **SEVEN** year guarantee to the main body.

The external paint finish and thermostat carry a one-year guarantee only.

This guarantee is subject to the Terms and Conditions set out below.

### 12.2 Terms and Conditions

The following terms and conditions must be satisfied in order for your stove to be covered by the guarantee set out above:

1. Your stove must have been purchased from an officially approved Arada dealer.
2. You must be the original purchaser of the stove in order to make a claim. This guarantee is not valid in relation to any claims made by someone who did not originally purchase the stove from Arada or an approved Arada dealer.
3. Any claim under this guarantee must be made through the approved Arada dealer where the stove was purchased and accompanied by proof of purchase (e.g. a valid receipt). Stoves not purchased from an approved Arada dealer will not be covered by this guarantee.
4. Your stove must be installed in the UK for this guarantee to be valid. Stoves installed outside of the UK will not be covered by this guarantee.

5. Your stove must have been installed by a suitably qualified person and in accordance with the manufacturer's installation instructions. Stoves not installed by a suitably qualified person or not installed in accordance with the manufacturer's installation instructions will not be covered by this guarantee.

6. Any claims under this guarantee shall not be valid where the installation of the stove does not conform to all required building regulations and other legislation in force at the time of purchase and where flue draw readings have not been made to confirm a suitability of the flue. The manufacturer's decision as to whether this condition has been satisfied shall be final.

7. The guarantee does not cover damage caused to the stove through careless handling or misuse or neglect of the appliance (misuse and neglect being not following the manufacturer's instructions and user guides in relation to the stoves, including the use of non-recommended fuels).

8. The following consumable service items are not covered by this guarantee:

- Firebox linings
- Grate bars
- Fuel retainer
- Throat / FED plate
- Gaskets
- Door glass
- Seals & Associate parts

9. The guarantee does not cover damage caused by storing or using the stove in a damp environment, defects or faults caused by local conditions such as draught problems and chimney defects or corrosion caused by condensation, damp or water ingress into the flue, chimney or the surrounding of the stove.

10. The guarantee is only valid if the stove is serviced and checked annually by a suitably qualified heating engineer, with documentation to be retained and produced in the event of a claim being made.

11. The guarantee is only valid where any spare parts used are supplied by Arada or an approved Arada dealer. The use of spares other than those supplied by Arada Limited shall invalidate the guarantee. Parts can be purchased through an approved dealer or directly from Arada, online at [www.aradastoveandspares.com](http://www.aradastoveandspares.com).

12. The guarantee is not valid where any repairs or modifications have been made to the stove which have been carried out by anyone other than Arada or its authorised representatives or approved dealers.

13. All guarantee periods commence on the date of purchase and are non-transferable and solely for the benefit of the original purchaser of the stove.

14. All boiler stoves must have rust inhibitor used at the correct concentration and this must be replaced on an annual basis for the warranty to be valid.

### **12.3 General**

Our guarantee is offered as an addition to your statutory rights and will not effect your statutory rights. You can obtain information about your legal rights from trading standards office's or a citizens' advice bureau.

If you believe your appliance is not working correctly or it has broken down, in the first instance please contact your local retailer or installer for assistance.

This guarantee is applicable in the UK only and operates exclusively in accordance with the laws of England and Wales.

## 13 Technical specification

TECHNICAL DATA	Ecoboiler 12 Cassette
Nominal Heat Output (Kw)	16.6
Nominal Heat Output To Space Efficiency Nett (%)	4.3
Nominal Heat Output To Water Efficiency Nett (%)	12.3
Total Efficiency (Kw)	74.5
Mean Flue Gas Temperature (°C)	473
Mean CO Emission @ 13% O2 (%)	0.28
Flue Mass Gas Flow (g/s)	10.2
Minimum Distance to Combustible materials (mm)	Top Shelf = 250 Side = 100
Height (mm)	631
Width (mm) Across Canopy	606
Depth (mm) (Inc. Handle)	410
Depth From Back To Flue Centre (mm)	122
Flue Diameter (mm)	127 (5")
Weight Packed (Kg)	148* Kg
Weight Nett (Kg)	140* Kg
Type Test Pressure (bar)	3.8 to 4
Maximum Operating Pressure (bar)	3
Maximum Operating Water Temperature (°C)	80
Maximum Hearth Temperature (°C)	67
Typical Fuel Load To Achieve Nominal Rated Output Per Hour (Kwh/Kg) (Maxibrite fuel)	2.44

# STRATFORD

CENTRAL HEATING BOILER STOVES

**Stratford is a brand name of Arada**

**All Stratford ECOBOILER Cassette stoves are manufactured in the UK**

---



## **Arada Ltd**

Weycroft Avenue - Axminster - Devon  
EX13 5HU  
United Kingdom

[www.aradastoves.com](http://www.aradastoves.com)

T: +44 (0)1297 35700

[info@aradastoves.com](mailto:info@aradastoves.com)