

# ARADA

DEVON



## Simply Gas

Putting warmth at the heart of the home

# ARADA

— DEVON —

From the tiny acorn of a small engineering firm founded in 1966 the core ideals of designing and manufacturing affordable, robust and pleasurable products for the British homeowner are still at the heart of Arada.



*"We've been warming homes and hearts for decades"*

Transformed into a mighty oak at our 54,000 sq.ft manufacturing base in Axminster, we design, manufacture and globally distribute not just wood and multi-fuel stoves, but also bioethanol fires, stove accessories, spares and outdoor heating appliances.



*"We believe our reputation is built on everything we make"*



An Arada stove is so much more than just a black steel box, each one starts life in the hands of craftsmen. Raw steel is crafted with precision. Exacting joins are welded at 1500°C. Sparks fly as surfaces are perfected.

Our appliances bear the hallmarks of being designed, engineered and built by people who take pride in a job well done and that believe that ownership of an Arada stove should be a pleasure.



*"The Arada badge is your 'built-to-last' guarantee."*

Our stoves come with either lifetime or extra-long life stove body guarantees. We won't ask you to register first either, our guarantees come as standard\*.



\*Stove must have been purchased from an authorised retailer and installed following regulations governing the fitting of wood burning and solid fuel appliances in the country of installation.

Boiler stoves have a three year guarantee



## Modern & Traditional Stove Styles

Our collection of stoves are designed to suit the look and style of different homes, whether it's to upgrade a classic fireplace or as a statement in a contemporary open-plan living space.

## Continuous Innovation

We seek out and develop new home heating appliances in a drive to solve some of the great energy challenges we all face today. Our bioethanol stoves produce no particulate emissions and run on a renewable liquid fuel and our Ecodesign compliant boiler stove brings practical water heating to all homes, even if they are off-grid.



## Colour & Accessories

We also design and manufacture extras such as log stores, stands, pedestals, handles and more to nail the practicalities of owning a stove. In addition we offer up to 15 different colour options across almost every stove model and accessory letting you create the perfect focal point for your room

## Outdoor Living

We're not just about stoves either! We've brought our heating design and expertise to the great outdoors with a range of attractive garden fire pits, chimeneas, and more. Each appliance is guaranteed to become a cosy focal point at any outdoor event



# Ecoburn Gas Medium (Series 3)



Ecoburn Gas Medium Series 3 shown with conventional flue

*The Ecoburn Gas stove features the same classic visual features as our Ecoburn multi fuel stoves. This log-effect gas fire is available in LPG or natural gas-compatible versions and with either a conventional or balanced flue, so you need not have a standard brick chimney or built-in flue.*

## Features

- Natural Gas or LPG models available
- Conventional or balanced Flue models available
- Remote control included as standard

## Dimensions

	Conventional Flue	Balanced Flue
Width	456 mm	456 mm
Height	609 mm	633 mm
Depth	399 mm	445 mm

## Output

	Conventional Flue			Balanced Flue	
	Natural Gas	LPG (Propane)	LPG (Butane)	Natural Gas	LPG (Propane/Butane)
Useful Energy Efficiency	86 %	83 %	83 %	83 %	82.5 %
Energy Efficiency	B	D	C	C	C
Direct Heat Output	4.4 kW	3.5kW	3.7 kW	4.5 kW	Up to 4.5kW

*One of the greatest reasons for choosing a gas stove is their convenience. Settling in for the evening with the Ecoburn Gas stove and its easy-to-use remote control - included as standard - means you can adjust the heat output and flame picture without leaving your comfy sofa!*

- Adjustable heat output and flame height
- Available in seven colours
- Clear view glass screen
- Lifetime guarantee on the stove body



Ecoburn Gas Medium

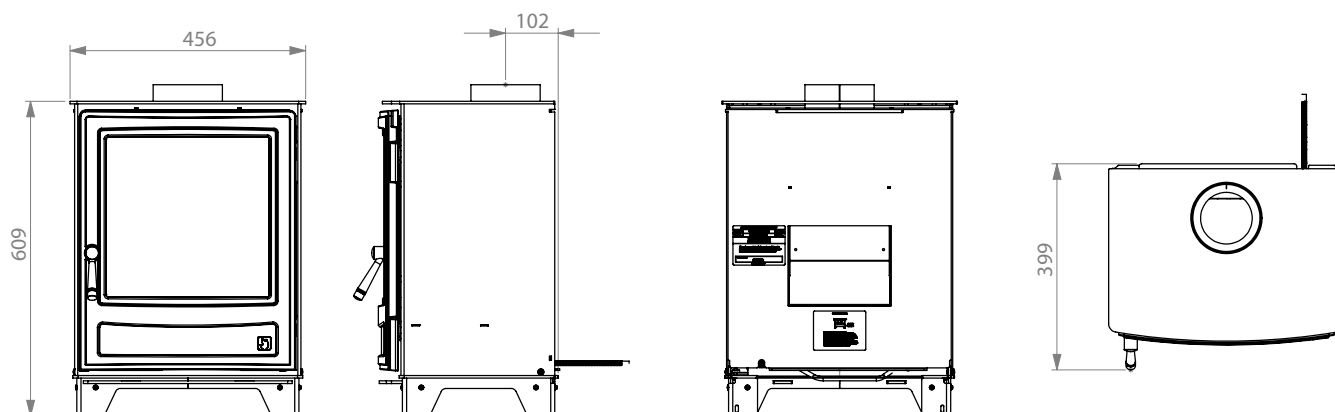


Easy to use remote control

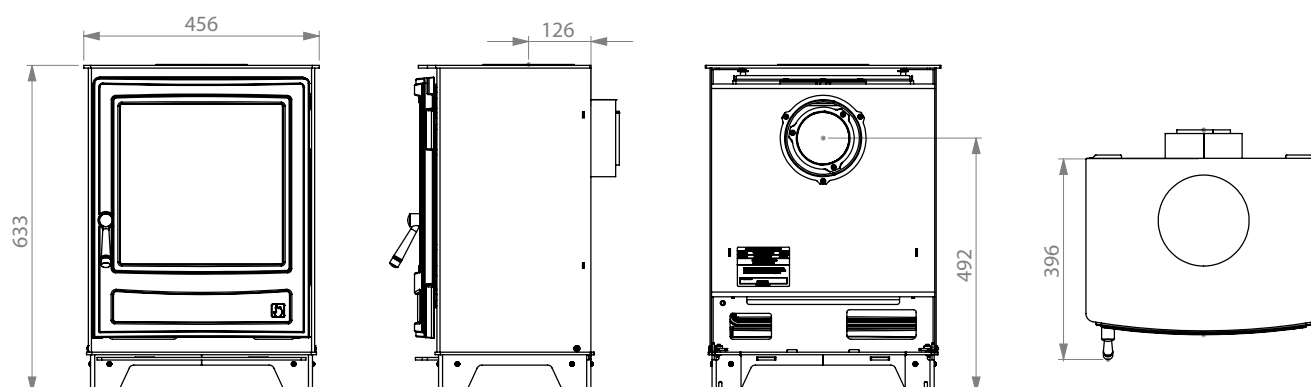


# Ecoburn Gas Medium (Series 3)

## ECOBURN GAS MEDIUM - CONVENTIONAL FLUE



## ECOBURN GAS MEDIUM - BALANCED FLUE



### Features

Remote thermostatic control	Yes
Remote timer control	Yes
Flame supervision safety	Oxygen depletion system
Ecodesign Ready	Yes
Suitable for non-combustible 12mm hearth	Yes

### Flue

<b>Approved Conventional Flue Class Type</b>	B11 (Class1, 2 and pre-cast)
<b>Approved Balanced Flue Class Types</b>	C11 roof terminals, C31 wall terminal C91 wall terminal snorkel type
<b>Flue Diameters</b>	Conventional Flue - Top only: 5inch Balanced Flue - Top & Rear: 4inch internal / 6inch external

### Gas performance

Gas Type	Conventional Flue			Balanced Flue	
	G20 (natural Gas)	G31 (propane)	G30 (butane)	G20/G25/G25.3 NG (Avg.)	G30 / G31 LPG (Avg.)
<b>Supply Pressure (measured at test elbow) [mbar]</b>	20	37	29	20 / 25	30 - 50
<b>Nominal Heat Input Gross (Hs) [kW]</b>	5	4.4	4.5	4 - 5	5 / 5.5
<b>Min Heat Input Gross (Hi) [kW]</b>	2.3	1.8	2.7	3.6 - 4.5	4.6 / 5.1
<b>Gas Consumption At Max Rate [M3/hr]</b>	0.47	0.157	0.121	0.58	0.196
<b>Gas Consumption At Min Rate [M3/hr]</b>	0.22	0.061	0.074	0.47	0.164
<b>Nox [mg/KWh]</b>	95	97	98	76	81
<b>Efficiency Class</b>	1				
<b>Gas Connection</b>	8mm compression				
<b>Remote Gas Valve</b>	TESCO1 RF868-15				

BF appliances must be installed with a minimum clearance to non-combustible materials of 50mm at rear and sides. CF appliances must be installed with a minimum clearance to non-combustible materials of 50mm rear, 100mm top and sides. We recommend clearance of 300mm to combustible beams above the stove. Installation and operating instructions for this stove are available online at [www.aradastoves.com](http://www.aradastoves.com).

# Holborn Gas Medium



Holborn Gas Medium shown with conventional flue

*The Holborn Gas stove features the same classic visual features as our Holborn multi fuel stoves. This log-effect gas fire is available in LPG or natural gas-compatible versions and with either a conventional or balanced flue, so you need not have a standard brick chimney or built-in flue.*

## Features

- Natural Gas or LPG models available
- Conventional or balanced Flue models available
- Remote control included as standard

*One of the greatest reasons for choosing a gas stove is their convenience. Settling in for the evening with the Holborn Gas stove and its easy-to-use remote control - included as standard - means you can adjust the heat output and flame picture without leaving your comfy sofa!*

- Adjustable heat output and flame height
- Available in seven colours
- Clear view glass screen
- Lifetime guarantee on the stove body

## Dimensions

	Conventional Flue	Balanced Flue
Width	472 mm	472 mm
Height	637 mm	661 mm
Depth	402 mm	447 mm

## Output

	Conventional Flue			Balanced Flue	
	Natural Gas	LPG (Propane)	LPG (Butane)	Natural Gas	LPG (Propane/Butane)
Useful Energy Efficiency	86 %	83 %	83 %	83 %	82.5 %
Energy Efficiency	B	D	C	C	C
Direct Heat Output	4.4 kW	3.5kW	3.7 kW	4.5 kW	Up to 4.5kW



Available in seven colours (Sandcastle Cream shown)

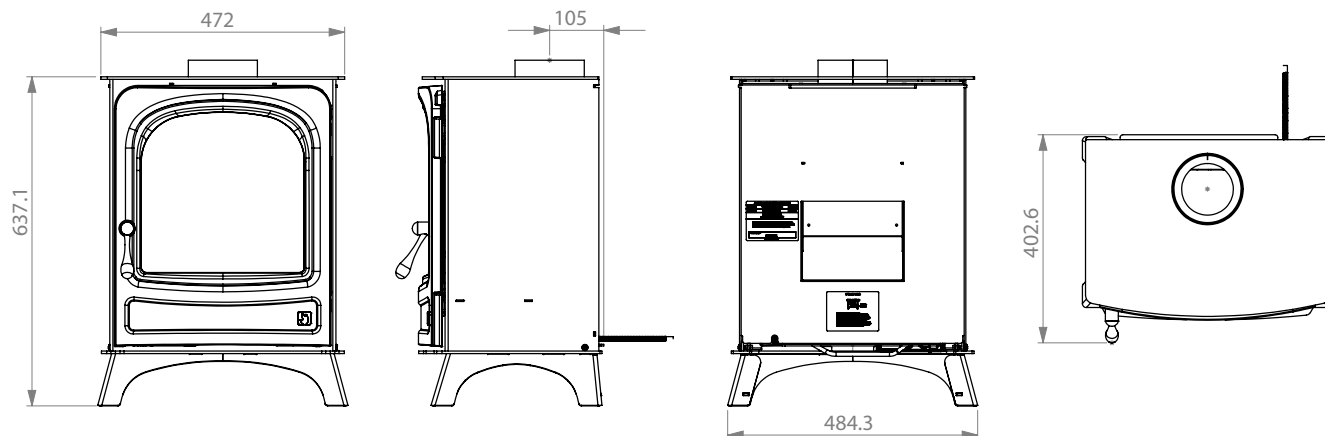


Easy to use remote control

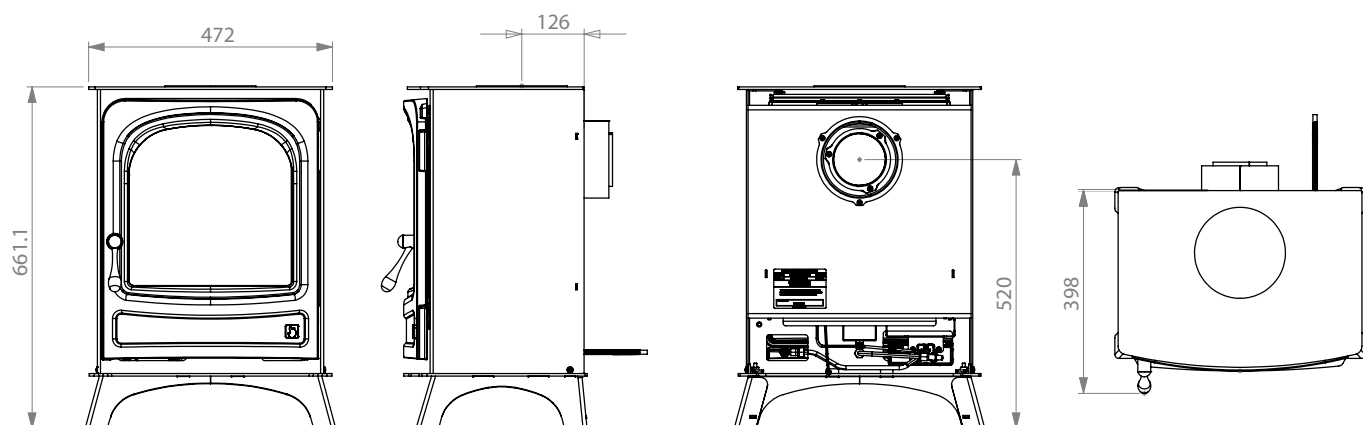


# Holborn Gas Medium

## HOLBORN GAS MEDIUM - CONVENTIONAL FLUE



## HOLBORN GAS MEDIUM - BALANCED FLUE



### Features

Remote thermostatic control	Yes
Remote timer control	Yes
Flame supervision safety	Oxygen depletion system
Ecodesign Ready	Yes
Suitable for non-combustible 12mm hearth	Yes

### Flue

#### Approved Conventional Flue Class Type

B11 (Class1, 2 and pre-cast)

#### Approved Balanced Flue Class Types

C11 roof terminals, C31 wall terminal  
C91 wall terminal snorkel type

#### Flue Diameters

Conventional Flue - Top only: 5inch

Balanced Flue - Top & Rear: 4inch internal / 6inch external

### Gas performance

Gas Type	Conventional Flue			Balanced Flue	
	G20 (natural Gas)	G31 (propane)	G30 (butane)	G20/G25/G25.3 NG (Avg.)	G30 / G31 LPG (Avg.)
<b>Supply Pressure (measured at test elbow) [mbar]</b>	20	37	29	20 / 25	30 - 50
<b>Nominal Heat Input Gross (Hs) [kW]</b>	5	4.4	4.5	4 - 5	5 / 5.5
<b>Min Heat Input Gross (Hi) [kW]</b>	2.3	1.8	2.7	3.6 - 4.5	4.6 / 5.1
<b>Gas Consumption At Max Rate [M3/hr]</b>	0.47	0.157	0.121	0.58	0.196
<b>Gas Consumption At Min Rate [M3/hr]</b>	0.22	0.061	0.074	0.47	0.164
<b>Nox [mg/KWh]</b>	95	97	98	76	81
<b>Efficiency Class</b>	1				
<b>Gas Connection</b>	8mm compression				
<b>Remote Gas Valve</b>	TESCO1 RF868-15				

BF appliances must be installed with a minimum clearance to non-combustible materials of 50mm at rear and sides. CF appliances must be installed with a minimum clearance to non-combustible materials of 50mm rear, 100mm top and sides. We recommend clearance of 300mm to combustible beams above the stove. Installation and operating instructions for this stove are available online at [www.aradastoves.com](http://www.aradastoves.com).

# ARADA

DEVON

## COLOUR OPTIONS

Metallics & The Bold Edit

### Robust and easy to clean

Our paints are resistant to very high temperatures and easy to keep clean.

### Non-smoker paint

There's no curing time with any of our paints and no unpleasant curing odour either.

### Also available in Black

If colour is not for you, our stoves will always be available in Midnight Black as standard.

## METALLICS

### Express yourself with colour

Seize the opportunity to show your individuality with our four metallic shades, guaranteed to make an impactful statement in your living space.



MIST



CHESTNUT



ATLANTIC



SPICE

## THE BOLD EDIT

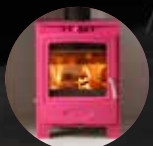
### A unique new look for stoves

THE BOLD EDIT is a palette of four exciting shades that are exclusive to Arada.

Striking and happiness inducing, with a major side of dopamine, these shades will no doubt inspire and inject fun for those creating an interior with serious punch.



RAINCOAT



FLAMINGO



MIAMI



PEAPOD

\* THE BOLD EDIT colours are not recommended for stoves over 7kW, and not suitable for painting single-walled flues

# ARADA

DEVON

## COLOUR OPTIONS

The Earth Collection

### Heritage colours inspired by nature



TERRACOTTA



CLAY

Organic, rich and luxurious, the Earth Collection is a series of six sophisticated shades that are defined by the striking colour palette of the natural world.

With the aim to inspire, the warm tones are design-led and impactful, while remaining classic and adaptable to suit any interior.



PINE



GRAPHITE



PEBBLE



STRAW

\* THE EARTH COLLECTION colours are not recommended for stoves over 7kW, and not suitable for painting single-walled flues