

STRATFORD

CENTRAL HEATING
BOILER STOVES

ROOM & WATER HEATING FOR A COSY HOME



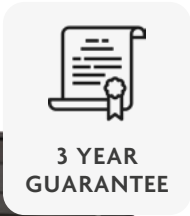
ARADA
— DEVON —

Stratford – The most efficient Ecodesign boiler stoves available today

Stratford boiler stoves are proven performers. They use the latest technologies and draw on our decades of stove design know-how to provide a reliable and economic way to heat your home.

These boiler stoves are truly economical, reliable and sustainable, offering an alternative to more traditional central heating systems.

At the same time, you have the heart-warming glow of a real fire and of a three-year guarantee comes as standard.



RADIANT HEAT AND HOT WATER

Stratford boiler stoves supply hot water as well as heat for your home. Designed specifically to integrate into your existing domestic hot water supply.

These stoves radiate heat into the room where it is installed, but also produce plentiful hot water that will drive a combination of radiator panels, underfloor heating or a hot water tank.

COMPANION HEATING

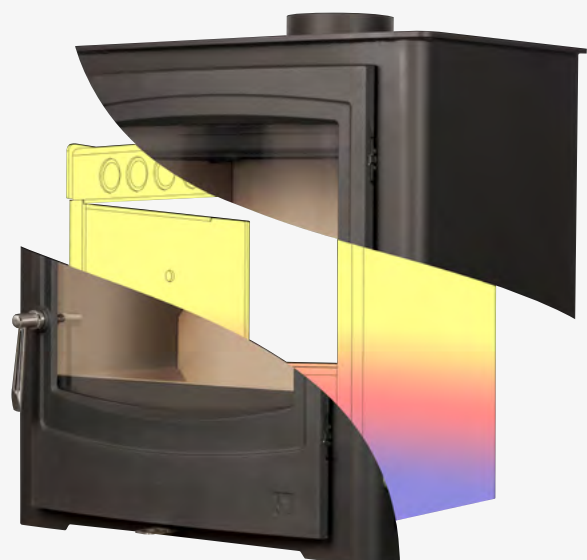
When installed with a thermal store, Stratford boiler stoves can be combined with any other source of heating, from traditional gas and oil systems to modern solutions such as ground source heat pumps and solar panels.

This combination is today's perfect partner for complete home heating with the Stratford boiler stoves having the ability to heat up a large amount of water quickly, and the thermal store able to store and use this heat effectively around the home.

OPTIMISED HOT WATER PATH

The new generation of Stratford boiler stoves now incorporate a highly efficient seamless steel tube heat exchanger that is sited above the firebox, for maximum water heating efficiency.

The stove's 5mm steel boiler jacket surrounding the firebox warms water from your central heating system then channels it into the heat exchanger which additionally pulls the hotter combustion gases from the firebox to further raise water temperature faster than before.



STYLE AND FUNCTION

Focusing on the outside of the Stratford boiler stove's design, here there is a blend of powerful features without sacrificing sophisticated appearance.

It is an attractive focal point for your home even whilst it completes the task of effortlessly heating your home. The modern aesthetic of eye-catching sleek lines and large fire door glass merge gracefully with discreet operator controls.

ECODESIGN AND FUEL EFFICIENCY

Designed to comply with Ecodesign 2022 the fire chamber performs a secondary burn to mitigate emissions and improves fuel efficiency far beyond that of any open fire or a legacy wood burning stove.

THERMOSTAT AND 'EASY BOOST' CONTROLS

These stoves are designed to be easy to use, so Stratford boiler stoves have a simple easy-to-reach dial thermostat. It's not just a safety feature either, it also keeps your radiators at a constant temperature, so you stay comfortable. The thermostat automatically contributes to better fuel efficiency and reduced fuel consumption – making a Stratford model cheaper to run than other boiler stoves.

In addition – the Stratford boiler stoves include an 'Easy Boost' air control that makes re-lighting your stove easier and faster than ever before.

ROBUST FIREBOX LINERS

These boiler stoves now come with firebox liners cast from porcelainite. These smooth and highly durable components have several key advantages over traditional vermiculite bricks. Our liners are sturdy and robust which helps sustain radiant heat from the stove body for longer.

Porcelainite naturally helps to trap heat within the firebox for enhanced combustion, and is also essentially 'self-cleaning' – their smooth surface in combination with a pyrolytic action within the firebox helps prevent any sooty build up on the liners themselves.

Choosing Your Boiler Stove

The installation, choice of fuel and refuelling cycle can affect the heat output of a boiler stove.

- When calculating your boiler stove requirements allow, as a guide, 1kW per average size radiator (typically 1000x400mm single panel). If you plan to heat domestic hot water, add 2.5kW to the required output to water.
- Don't forget to take into account any heat loss in the pipework – this is usually around 10%
- The information above acts as a general guideline only. We highly recommend that you contact a qualified heating engineer who will ensure that you make the right choice for your home.

STRATFORD 20B BOILER STOVE

MAX COMBINED OUTPUT: 23KW

4 - 13 KW TO WATER • 4 - 10 KW TO ROOM

FEATURES

- 3 Year guarantee
- Meets Ecodesign standards
- Burns solid smokeless fuel
- Direct air connector as standard
- Compact space-saving design
- Cast porcelanite firebox liners
- Thermostatic water temperature control as standard
- 'Easy Boost' lighting control for faster relighting
- Large, externally controlled riddling grate
- Flue Exhaust Diversion system to improve performance
- Secondary burn to improve efficiency and cleaner combustion
- Suitable for installation in an indirect/open-vented central heating system
- Preheated airwash system for clean glass
- Stainless steel ash pan
- Up to 3 Bar operating pressure
- 6-inch top flue
- Height adjusting legs as standard
- Choice of standard detachable handle or optional detachable wooden handle



STRATFORD 25B BOILER STOVE

MAX COMBINED OUTPUT: 32KW
4 - 22 KW TO WATER • 4 - 10 KW TO ROOM

FEATURES

- 3 Year guarantee
- Meets Ecodesign standards
- Burns solid smokeless fuel
- Direct air connector as standard
- Compact space-saving design
- Cast porcelainite firebox liners
- Thermostatic water temperature control as standard
- 'Easy Boost' lighting control for faster relighting
- Large, externally controlled riddling grate
- Flue Exhaust Diversion system to improve performance
- Secondary burn to improve efficiency and cleaner combustion
- Suitable for installation in an indirect/open-vented central heating system
- Preheated airwash system for clean glass
- Stainless steel ash pan
- Up to 3 Bar operating pressure
- 6-inch top flue
- Height adjusting legs as standard
- Choice of standard detachable handle or optional detachable wooden handle





Stratford 25B



Dual use handle

Cast porcelainite
firebox liners



Easy Boost air control
(shown in active state)

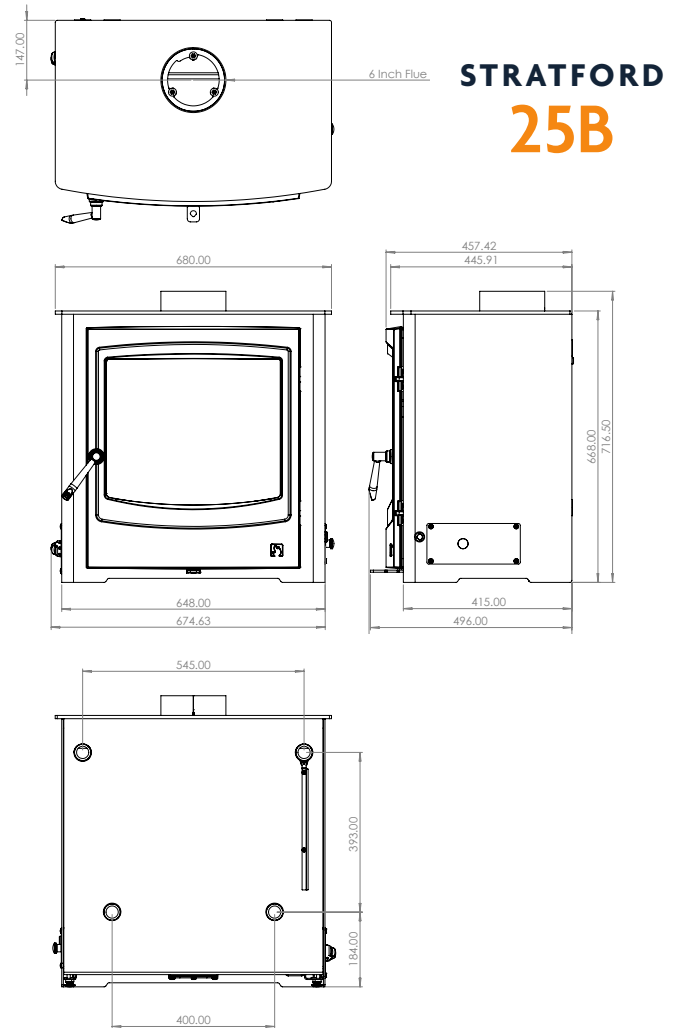
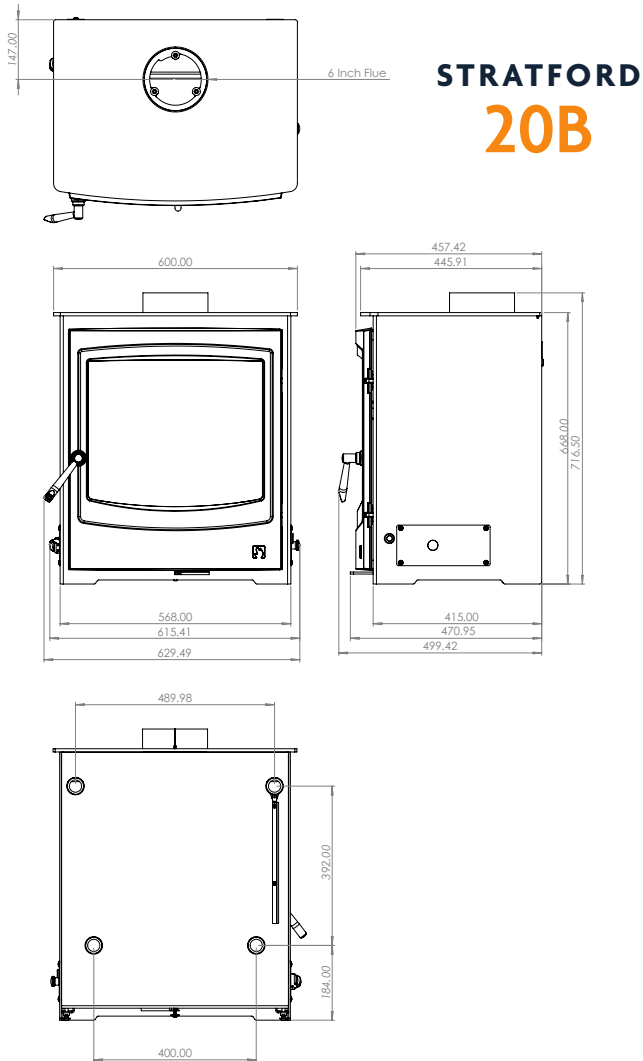
Thermo static
primary air control



Ash Pan with dual use handle

DIMENSIONS

	Height (mm)	Width (mm)	Depth (mm)	Depth from back to centre of top flue (mm)	Flue outlet diameter (mm inch)	Min. Distance to combustibles from rear (mm)	Min. Distance to combustibles from side (mm)	Min. Distance to Non combustibles from rear (mm)	Min. Distance to Non combustibles from side (mm)
Stratford 20B	668	600	500	147	152 6	100	100	100	100
Stratford 25B	668	680	500	147	152 6	100	100	100	100



PERFORMANCE – MANUFACTURED SMOKELESS FUEL

	Approximate combined output range (kW)	Nominal output to water (kW)	Nominal output to room (kW)	Output range to water (kW)	Output range to room (kW)	Nett efficiency (%)	Max Operating Pressure (bar)	Energy Rating	Typical Fuel Load To Achieve Nominal Rated Output Per Hour (Kwh/Kg)
Stratford 20B	8 - 23	6.7	6.3	4 - 13	4 - 10	88.6	3	C	1.6
Stratford 25B	8 - 32	14.1	6.1	4 - 22	4 - 10	80	3	D	2.85

ARADA

— DEVON —

Local stockist:

Every effort has been made to ensure that the information contained in this brochure is accurate as of August 2025. Arada Ltd reserves the right, whilst preserving the essential characteristics of our product range, to introduce, at any time, modifications, changes of details or accessories.

Some of the photographs in this brochure have been created for illustration purposes only and may not represent real live installations.

This brochure is copyright 2025 and may not be reproduced in any part or form without prior written consent from Arada Ltd.

Arada Ltd.
The Fireworks,
Weycroft Avenue,
Axminster
Devon,
EX13 5HU

Tel: [+44 \(0\) 1297 632050](tel:+44(0)1297632050)
Web: aradastoves.com